

6

5

4

3

2

1

MATERIAL AND FINISH:

Insulator: Impact resistance Polypropylene, black,
UL-94V-HB rated

Contact & terminals:

PDSN-12-1B: Brass, Nickel plated

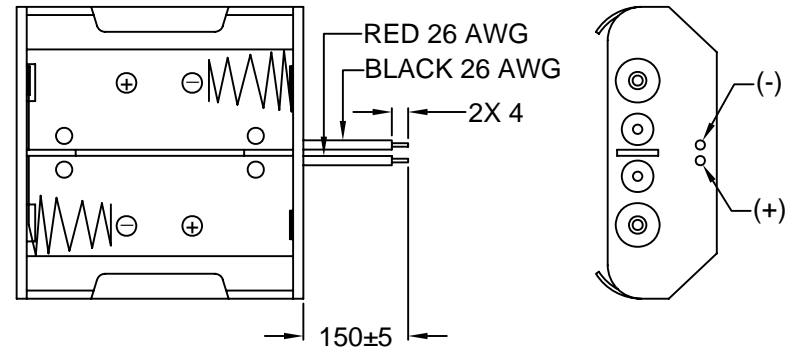
PDSN-12-1C: Brass, Nickel plated

Spring: Spring Steel, Nickel plated imbedded in
Polypropylene

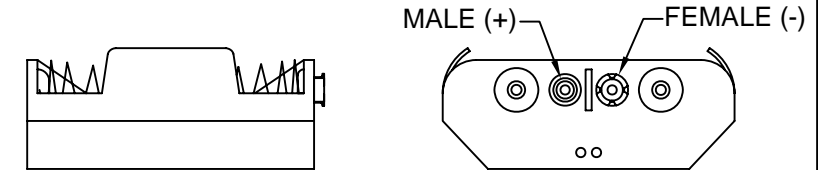
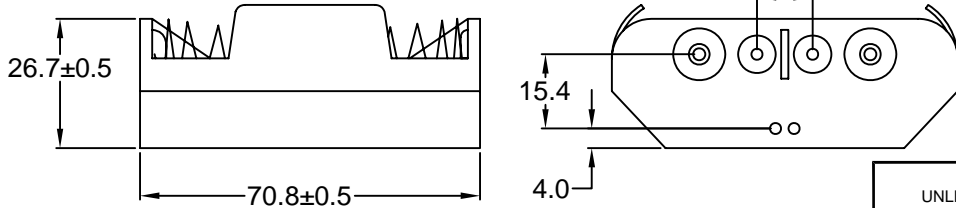
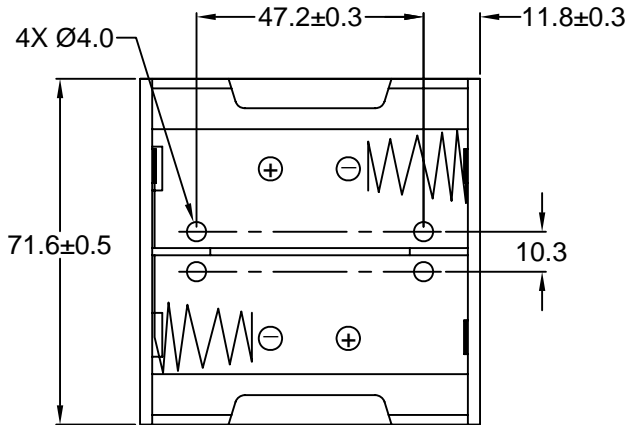
ENVIRONMENTAL:

Operating temperature: -5°C to +83°C

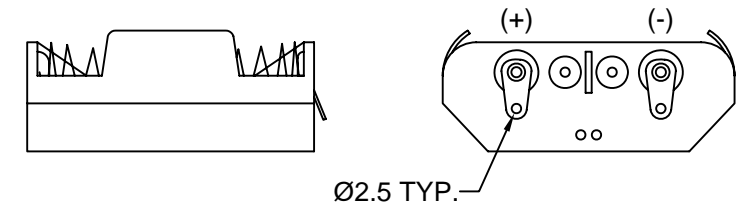
RoHS
COMPLIANT



PDSN-12-1A WIRE LEADS



PDSN-12-1B SNAP TERMINAL



PDSN-12-1C SOLDER LUG

REVISIONS	CHANGE	CHNG	CHK	APPR
	ADDED DIMENSIONS	GQ	PB	
	DATE	03/19/02		
REV	A			

TOLERANCE UNLESS OTHERWISE SPECIFIED			
X	± 1		
X.X	± 0.4		
X.XX	± 0.20		
DRAWN BY	GQ	DATE:	03/12/02
CHECK BY	TD	DATE:	03/14/02
APPR BY	PB	DATE:	03/14/02

Power Dynamics, Inc.
Phone: 973 560-0019 Whippany, New Jersey Fax: 973 560-0076

PART: 2 CELL TYPE "D" BATTERY HOLDER

PDSN-12-1X		SHEET 1 of 1
PART #:	PDSN-12-1X	
SIZE:	A	ALL DIMENSIONS FOR REFERENCE ONLY DIMENSIONS ARE IN MILLIMETERS
SCALE:	NTS	
REV:	A	