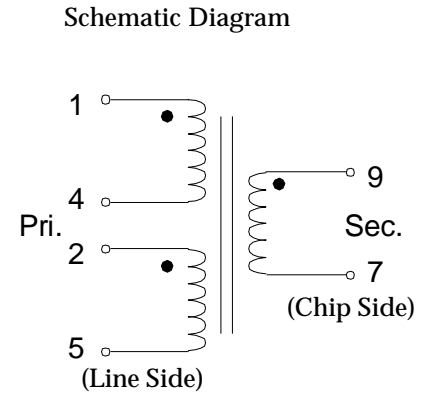


# Line Transformer

Turns Ratio	4 : 1 ± 1%			
Parameter	Min.	Typ.	Max.	Units
Inductance 1-5 (2-4, Shorted) <sup>1</sup>	1.88	2.00	2.12	mH
Leakage Inductance <sup>2</sup>			11	μH
DC Resistance (1-4)			1.26	Ω
DC Resistance (2-5)			1.25	Ω
DC Resistance (9-7)			1.00	Ω
Hi-Pot Primary to Secondary	2050			V <sub>RMS</sub>
Total Harmonic Distortion @40 kHz, 12 Vp-p ( Pri:Sec.)			-80	dB
Insertion Loss @100kHz			0.75	dB
Frequency Response @40kHz-300kHz, 100kHz Ref.			±0.25	dB
Longitudinal Balance @ @40kHz-300kHz.	50			dB

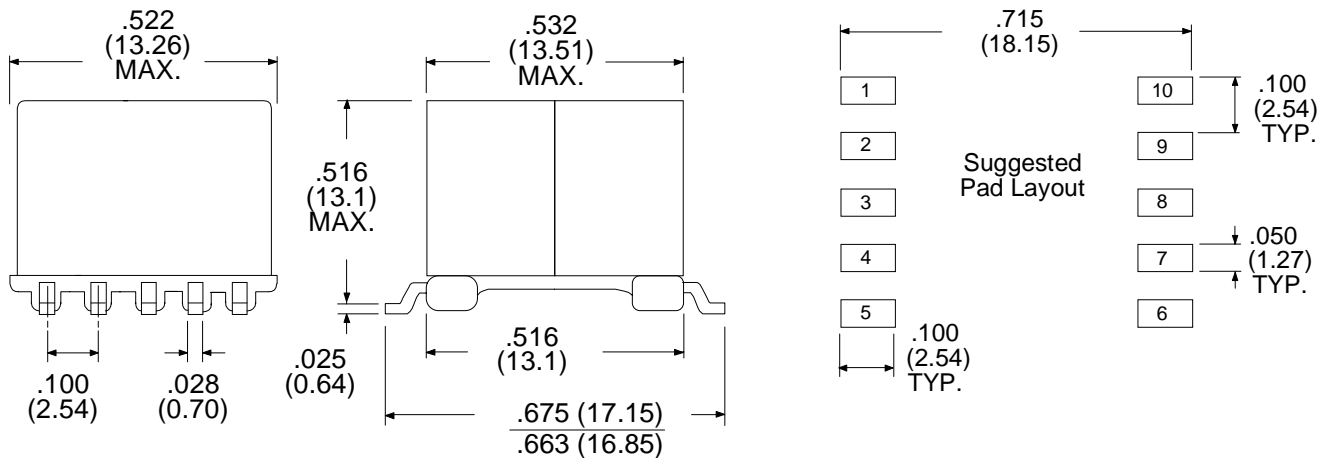
- 1..Tested at 10 kHz and 100 mV
- 2..Pins 1-5, 2-4 shorted, and 9-7 Shorted.  
Tested at 100kHz - 100 mV.



Designed to meet UL1950  
(Double Insulation)

Materials used in construction of this component meet or exceed UL Class B and can be operated up to 130°C

Dimensions in Inches (mm)



RHOMBUS P/N: T-1416

CUST P/N:

NAME:

DATE: 10/27/99

SHEET: