

## Single 4 x 1 and Dual 2 x 1 Multiplexers

### DESCRIPTION

The DG9414, a single 4 to 1 multiplexer, and the DG9415, a dual 2 x 1 multiplexer, are monolithic CMOS analog devices designed for high performance low voltage operation. Combining low power, high speed, low on-resistance and small physical size, the DG9414 and DG9415 are ideal for portable and battery powered applications requiring high performance and efficient use of board space.

Both the DG9414 and DG9415 are built on Vishay Siliconix's low voltage BCD-15 process. Minimum ESD protection, per Method 3015.7, is 2000 volts. An epitaxial layer prevents latchup. Break-before-make is guaranteed for DG9415.

### FEATURES

- Low Voltage Operation (+ 2.7 to + 12 V)
- Low On-Resistance -  $r_{DS(on)}$ : 14  $\Omega$
- Low Power Consumption
- TTL Compatible
- ESD Protection > 2000 V (Method 3015.7)
- Available in TSSOP-10 (aka MSOP-10)


**RoHS**  
COMPLIANT

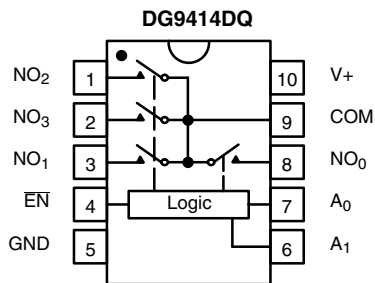
### BENEFITS

- High Accuracy
- Simple Logic Interface
- Reduce Board Space

### APPLICATIONS

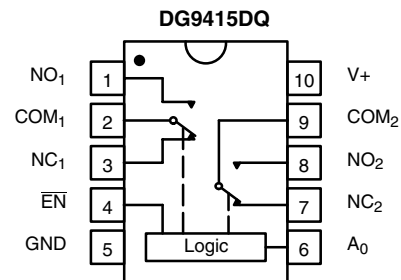
- Battery Operated Systems
- Portable Test Equipment
- Sample and Hold Circuits
- Cellular Phones
- Communication Systems
- Networking Equipment

### FUNCTIONAL BLOCK DIAGRAM AND PIN CONFIGURATION



$\overline{EN}$	$A_1$	$A_0$	On Switch
1	X	X	None
0	0	0	$NO_0$
0	0	1	$NO_1$
0	1	0	$NO_2$
0	1	1	$NO_3$

X = Do not Care



$\overline{EN}$	$A_0$	On Switch
1	X	None
0	0	$NC_1$ $NC_2$
0	1	$NO_1$ $NO_2$

X = Do not Care

### ORDERING INFORMATION

Temp Range	Package	Part Number
- 40 to 85 °C	MSOP-10	DG9414DQ-T1-E3
		DG9415DQ-T1-E3



ABSOLUTE MAXIMUM RATINGS		
Parameter	Limit	Unit
Reference V+ to GND	- 0.3 to + 13	V
IN, COM, NC, NO <sup>a</sup>	- 0.3 to (V+ + 0.3)	
Continuous Current (Any terminal)	± 20	mA
Peak Current (Pulsed at 1 ms, 10 % duty cycle)	± 40	
ESD (Method 3015.7)	> 2000	V
Storage Temperature (D Suffix)	- 65 to 150	°C

Notes:

- a. Signals on S<sub>x</sub>, D<sub>x</sub> or IN<sub>x</sub> exceeding V+ or V- will be clamped by internal diodes. Limit forward diode current to maximum current ratings.
- b. All leads soldered or welded to PC board.

SPECIFICATIONS (V+ = 3 V)							
Parameter	Symbol	Test Conditions Otherwise Unless Specified V+ = 3 V, ± 10 %, V <sub>IN</sub> = 0.4 V or 2.4 V <sup>e</sup>	Temp <sup>a</sup>	Limits - 40 to 85 °C			Unit
				Min <sup>c</sup>	Typ <sup>b</sup>	Max <sup>c</sup>	
<b>Analog Switch</b>							
Analog Signal Range <sup>d</sup>	V <sub>ANALOG</sub>		Full	0		V+	V
On-Resistance	r <sub>ON</sub>	V+ = 2.7 V, V <sub>COM</sub> = 1.0 V/1.5 V/2.0 V I <sub>NO</sub> or I <sub>NC</sub> = 5 mA	Room		63	97	Ω
r <sub>ON</sub> Match <sup>d</sup>	Δr <sub>ON</sub>		Full			101	
r <sub>ON</sub> Flatness <sup>d,f</sup>	r <sub>ON</sub> Flatness		Room		3	11	
NO or NC Off Leakage Current <sup>g</sup>	I <sub>NO/NC(off)</sub>	V+ = 3.3, V <sub>NO</sub> or V <sub>NC</sub> = 0.3 V/3 V V <sub>COM</sub> = 3 V/0.3 V	Room	- 1		1	nA
COM Off Leakage Current <sup>g</sup>	I <sub>COM(off)</sub>		Full	- 10		10	
Channel-On Leakage Current <sup>g</sup>	I <sub>COM(on)</sub>	V+ = 3.3 V V <sub>COM</sub> = V <sub>NO</sub> or V <sub>NC</sub> = 0.3 V/3 V	Room	- 1		1	
			Full	- 10		10	
<b>Digital Control</b>							
Input Current <sup>g</sup>	I <sub>INL</sub> or I <sub>INH</sub>	V <sub>IN</sub> = 0 or V+	Full	- 1.0		1.0	μA
Input High Voltage <sup>d</sup>	V <sub>INH</sub>		Full	1.6			V
Input Low Voltage <sup>d</sup>	V <sub>INL</sub>		Full			0.4	
<b>Dynamic Characteristics</b>							
Turn-On Time	t <sub>ON</sub>	V <sub>NO</sub> or V <sub>NC</sub> = 1.5 V	Room		102	125	ns
Turn-Off Time	t <sub>OFF</sub>		Full		45	68	
Break-Before-Make Time	t <sub>D</sub>		Room	7	78	75	
Transition Time	t <sub>trans</sub>	V <sub>NO</sub> = 1.5 V/0 V, V <sub>NC</sub> = 0 V/1.5 V	Room		81	128	pC
Charge Injection <sup>d</sup>	Q <sub>INJ</sub>	C <sub>L</sub> = 1 nF, V <sub>gen</sub> = 0 V, R <sub>gen</sub> = 0 Ω	Full			144	
Off-Isolation	OIRR	R <sub>L</sub> = 50 Ω, C <sub>L</sub> = 5 pF, f = 1 MHz	Room		- 58		dB
Channel-to-Channel Crosstalk (DG9415)	X <sub>TALK</sub>	R <sub>L</sub> = 50 Ω, f = 1 MHz	Room		- 64		
NO, NC Off Capacitance	C <sub>NO(off)</sub> , C <sub>NC(off)</sub>	f = 1 MHz	DG9414	Room	11		pF
			DG9415	Room	10		
COM Off Capacitance	C <sub>COM(off)</sub>		DG9414	Room	26		
			DG9415	Room	13		
COM On Capacitance	C <sub>COM(on)</sub>		DG9414	Room	43		
			DG9415	Room	25		
<b>Power Supply</b>							
Power Supply Range	V+			2.7		3.3	V
Power Supply Current <sup>h</sup>	I+	V+ = 3.3 V, V <sub>IN</sub> = 0 or 3.3 V	Full			1.0	μA



SPECIFICATIONS (V <sub>+</sub> = 5 V)							
Parameter	Symbol	Test Conditions Otherwise Unless Specified V <sub>+</sub> = 5 V, ± 10 %, V <sub>IN</sub> = 0.8 V or 2.4 V <sup>e</sup>	Temp <sup>a</sup>	Limits - 40 to 85 °C			Unit
				Min <sup>c</sup>	Typ <sup>b</sup>	Max <sup>c</sup>	
<b>Analog Switch</b>							
Analog Signal Range <sup>d</sup>	V <sub>ANALOG</sub>		Full	0		V <sub>+</sub>	V
On-Resistance	r <sub>ON</sub>	V <sub>+</sub> = 4.5 V, V <sub>COM</sub> = 1.5 V/2.5 V/3.5 V I <sub>NO</sub> or I <sub>NC</sub> = 10 mA	Room		33	56	Ω
r <sub>ON</sub> Match	Δr <sub>ON</sub>		Room		2	10	
r <sub>ON</sub> Flatness <sup>f</sup>	r <sub>ON</sub> Flatness		Room		10	20	
NO or NC Off Leakage Current <sup>g</sup>	I <sub>NO/NC(off)</sub>	V <sub>+</sub> = 5.5 V, V <sub>NO</sub> or V <sub>NC</sub> = 1 V/4.5 V V <sub>COM</sub> = 4.5 V/1 V	Room	- 1		1	nA
COM Off Leakage Current <sup>g</sup>	I <sub>COM(off)</sub>		Room	- 1		1	
Channel-On Leakage Current <sup>g</sup>	I <sub>COM(on)</sub>	V <sub>+</sub> = 5.5 V V <sub>COM</sub> = V <sub>NO</sub> or V <sub>NC</sub> = 1 V/4.5 V	Room	- 1		1	
<b>Digital Control</b>							
Input Current <sup>h</sup>	I <sub>INL</sub> or I <sub>INH</sub>	V <sub>IN</sub> = 0 or V <sub>+</sub>	Full	- 1.0		1.0	μA
Input High Voltage <sup>d</sup>	V <sub>INH</sub>		Full	1.8			V
Input Low Voltage <sup>d</sup>	V <sub>INL</sub>		Full			0.6	
<b>Dynamic Characteristics</b>							
Turn-On Time <sup>h</sup>	t <sub>ON</sub>	V <sub>NO</sub> or V <sub>NC</sub> = 3.0 V	Room		56	77	ns
Turn-Off Time <sup>h</sup>	t <sub>OFF</sub>		Room		25	46	
Break-Before-Make Timet <sup>h</sup>	t <sub>D</sub>		Room	7	34		
Transition Time	t <sub>trans</sub>	V <sub>NO</sub> = 3 V/ 0 V, V <sub>NC</sub> = 0 V/3 V	Room		47	77	dB
Off-Isolation	OIRR	R <sub>L</sub> = 50 Ω, C <sub>L</sub> = 5 pF, f = 1 MHz	Room		- 58		
Channel-to-Channel Crosstalk (DG9415)	X <sub>TALK</sub>	R <sub>L</sub> = 50 Ω, f = 1 MHz	Room		- 64		
Charge Injection <sup>d</sup>	Q <sub>INJ</sub>	C <sub>L</sub> = 1 nF, V <sub>gen</sub> = 0 V, R <sub>gen</sub> = 0 Ω	Room		6		pC
NO, NC Off Capacitance	C <sub>NO(off)</sub> , C <sub>NC(off)</sub>	f = 1 MHz	DG9414	Room		11	pF
			DG9415	Room		10	
COM Off Capacitance	C <sub>COM(off)</sub>		DG9414	Room		25	
			DG9415	Room		13	
COM On Capacitance	C <sub>COM(on)</sub>		DG9414	Room		42	
			DG9415	Room		24	
<b>Power Supply</b>							
Power Supply Range	V <sub>+</sub>			4.5		5.5	V
Power Supply Current <sup>h</sup>	I <sub>+</sub>	V <sub>+</sub> = 5.5 V, V <sub>IN</sub> = 0 or 5.5 V	Full			1.0	μA

Notes:

- a. Room = 25 °C, Full = as determined by the operating suffix.
- b. Typical values are for design aid only, not guaranteed nor subject to production testing.
- c. The algebraic convention whereby the most negative value is a minimum and the most positive a maximum, is used in this data sheet.
- d. Guarantee by design, nor subjected to production test.
- e. V<sub>IN</sub> = input voltage to perform proper function.
- f. Difference of min and max values.
- g. Guaranteed by 12 V leakage testing, not production tested.
- h. Guaranteed by worst case test conditions and not subject to test.

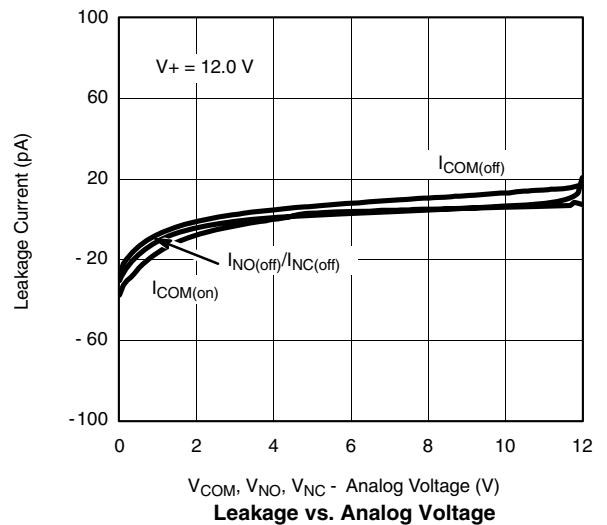
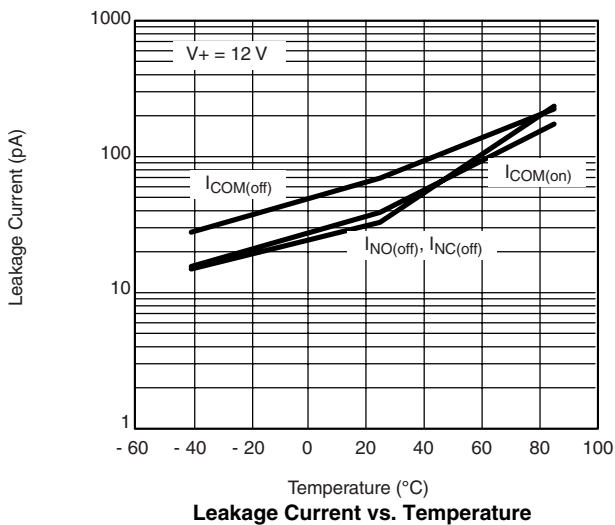
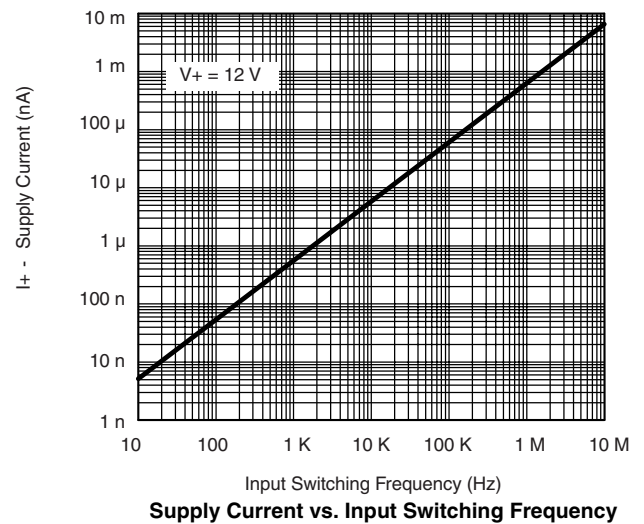
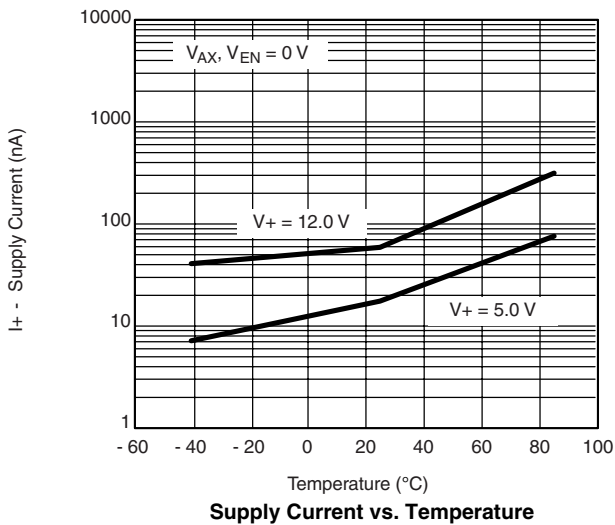
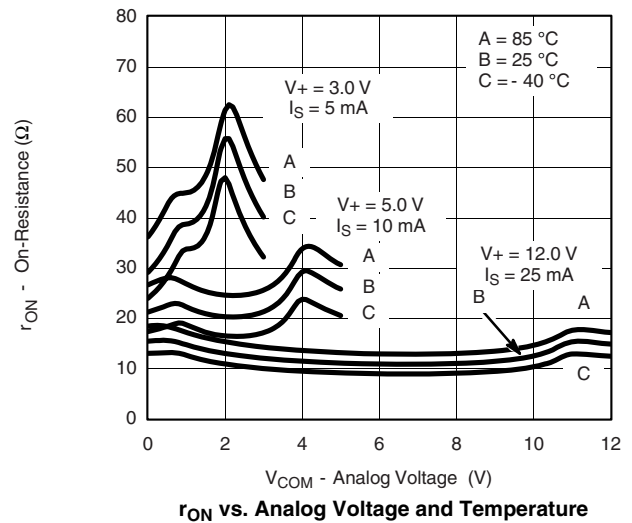
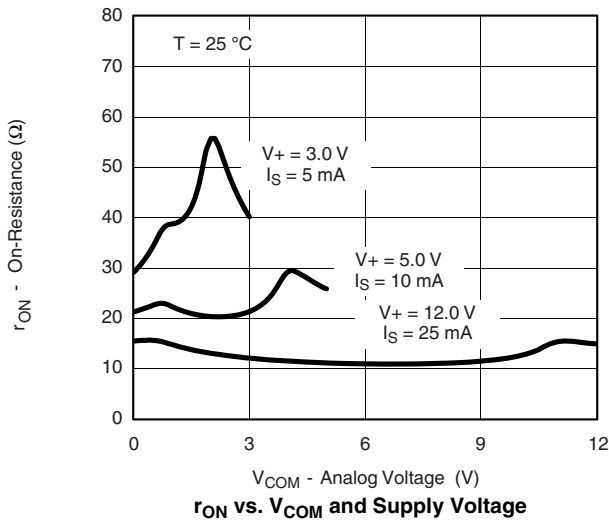


SPECIFICATIONS (V+ = 12 V)							
Parameter	Symbol	Test Conditions Unless Specified V+ = 12 V, VIN = 0.8 V or 2.4 V <sup>e</sup>	Temp <sup>a</sup>	Limits - 40 to 85 °C			Unit
				Min <sup>c</sup>	Typ <sup>b</sup>	Max <sup>c</sup>	
<b>Analog Switch</b>							
Analog Signal Range <sup>d</sup>	V <sub>ANALOG</sub>		Full	0		12	V
r <sub>ON</sub> Match	Δr <sub>ON</sub>		Room		1	9	Ω
r <sub>ON</sub> Flatness <sup>d,f</sup>	r <sub>ON</sub> Flatness		Room		1	10	
On-Resistance	r <sub>ON</sub>	V+ = 10.8 V, I <sub>NO</sub> , I <sub>NC</sub> = 25 mA V <sub>COM</sub> = 2/9 V	Room Full		14	17 19	
Switch Off Leakage Current	I <sub>NO(off)</sub> I <sub>NC(off)</sub>	V <sub>COM</sub> = 1/11 V V <sub>NO</sub> , V <sub>NC</sub> = 11/1 V	Room Full	- 1 - 10		1 10	nA
	I <sub>COM(off)</sub>		Room Full	- 1 - 10		1 10	
Channel On Leakage Current	I <sub>COM(on)</sub>	V <sub>NO</sub> , V <sub>NC</sub> = V <sub>COM</sub> = 11/1 V	Room Full	- 1 - 10		1 10	
<b>Digital Control</b>							
Input Current	I <sub>INL</sub> or I <sub>INH</sub>	V <sub>IN</sub> = 0 or V+	Full	- 1		1	μA
Input High Voltage <sup>d</sup>	V <sub>INH</sub>		Full	2.4			V
Input Low Voltage <sup>d</sup>	V <sub>INL</sub>		Full			0.8	
<b>Dynamic Characteristics</b>							
Turn-On Time <sup>h</sup>	t <sub>ON</sub>	R <sub>L</sub> = 300 Ω, C <sub>L</sub> = 35 pF V <sub>NO</sub> , V <sub>NC</sub> = 5 V See Figure 2	Room Full		33	55 59	ns
Turn-Off Time <sup>h</sup>	t <sub>OFF</sub>		Room Full		17	40 41	
Break-Before-Make Time Delay <sup>h</sup>	t <sub>D</sub>	DG419L Only, V <sub>NC</sub> , V <sub>NO</sub> = 5 V R <sub>L</sub> = 300 Ω, C <sub>L</sub> = 35 pF	Room	2	24		
Transition Time	t <sub>trans</sub>	V <sub>NO</sub> = 5 V/ 0 V, V <sub>NC</sub> = 0 V/ 5 V	Room Full		29	56 59	
Charge Injection <sup>d</sup>	Q <sub>INJ</sub>	V <sub>g</sub> = 0 V, R <sub>g</sub> = 0 Ω, C <sub>L</sub> = 1 nF	Room		13		pC
Off Isolation <sup>d</sup>	OIRR	R <sub>L</sub> = 50 Ω, C <sub>L</sub> = 5 pF f = 1 MHz	Room		- 58		dB
Channel-to-Channel Crosstalk <sup>d</sup>	X <sub>TALK</sub>		Room		- 64		
NO, NC Off Capacitance <sup>d</sup>	C <sub>NO(off)</sub> , C <sub>NC(off)</sub>	V <sub>IN</sub> = 0 or V+, f = 1 MHz	DG9414	Room		10	pF
			DG9415	Room		10	
COM Off Capacitance	C <sub>COM(off)</sub>		DG9414	Room		24	
			DG9415	Room		13	
COM On Capacitance <sup>d</sup>	C <sub>COM(on)</sub>		DG9414	Room		40	
			DG9415	Room		23	
<b>Power Supplies</b>							
Positive Supply Current	I+	V <sub>IN</sub> = 0 or 12 V	Full			1	μA

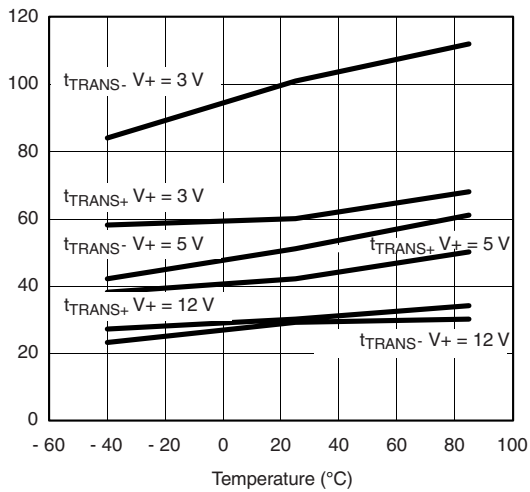
Notes:

- a. Room = 25 °C, Full = as determined by the operating suffix.
- b. Typical values are for design aid only, not guaranteed nor subject to production testing.
- c. The algebraic convention whereby the most negative value is a minimum and the most positive a maximum, is used in this data sheet.
- d. Guarantee by design, nor subjected to production test.
- e. V<sub>IN</sub> = input voltage to perform proper function.
- f. Difference of min and max values.
- g. Guaranteed by 12 V leakage testing, not production tested.
- h. Guaranteed by worst case test conditions and not subject to test.

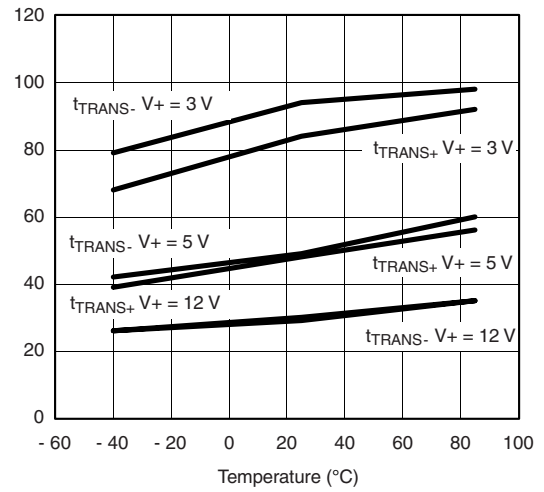
Stresses beyond those listed under "Absolute Maximum Ratings" may cause permanent damage to the device. These are stress ratings only, and functional operation of the device at these or any other conditions beyond those indicated in the operational sections of the specifications is not implied. Exposure to absolute maximum rating conditions for extended periods may affect device reliability.

**TYPICAL CHARACTERISTICS** 25 °C, unless otherwise noted


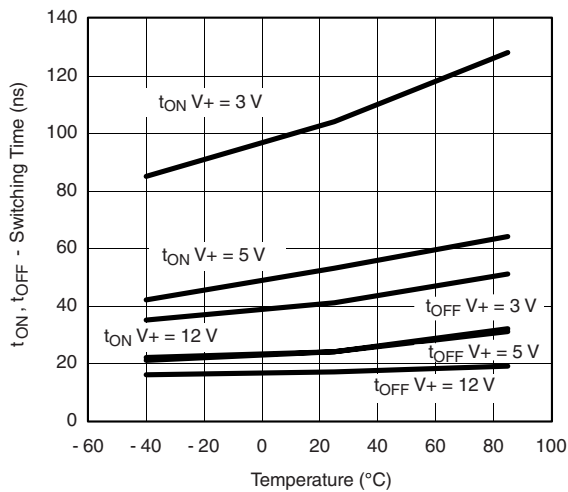
**TYPICAL CHARACTERISTICS** 25 °C, unless otherwise noted



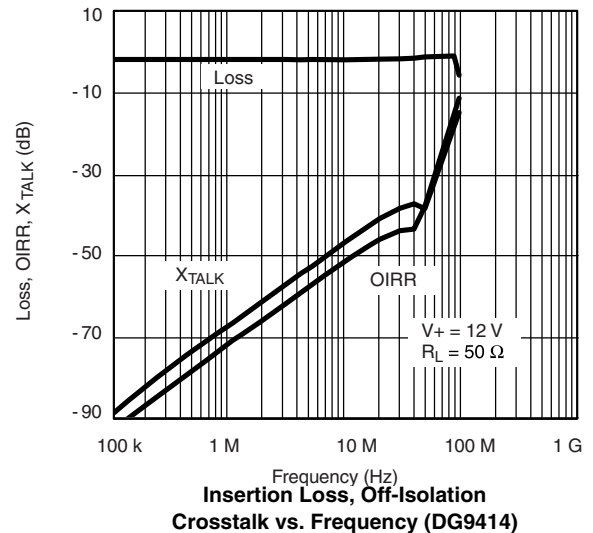
**Transition Time vs. Temperature (DG9414)**



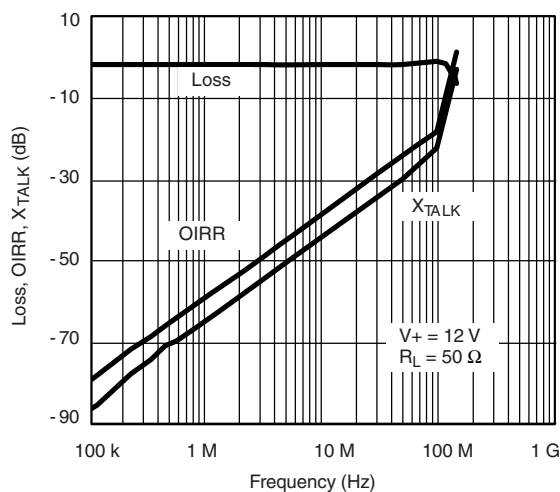
**Transition Time vs. Temperature (DG9415)**



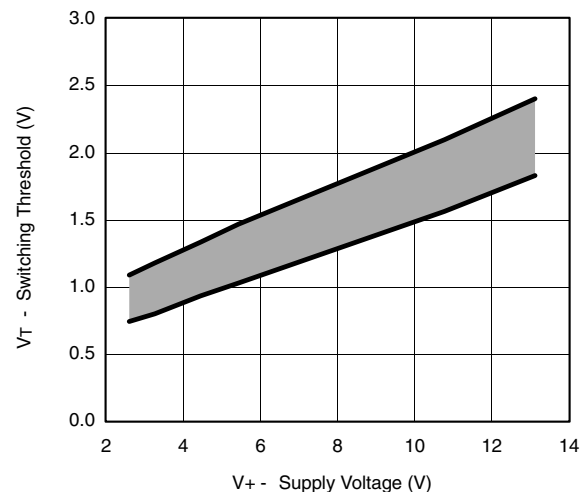
**Switching Time vs. Temperature**



**Insertion Loss, Off-Isolation Crosstalk vs. Frequency (DG9414)**

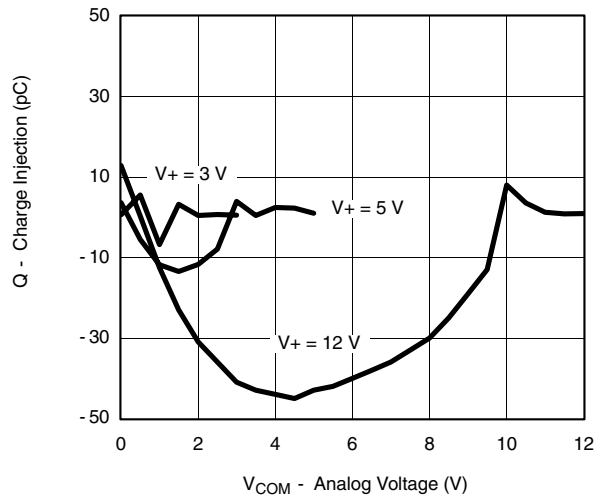


**Insertion Loss, Off-Isolation Crosstalk vs. Frequency (DG9415)**

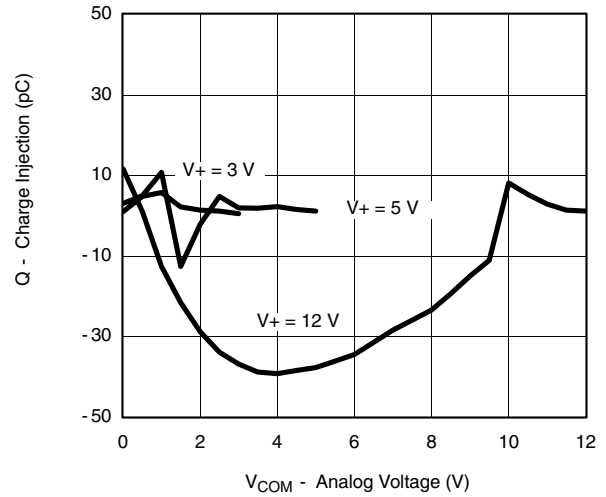


**Switching Threshold vs. Supply Voltage**

**TYPICAL CHARACTERISTICS** 25 °C, unless otherwise noted



Charge Injection vs. Analog Voltage (DG9414)



Charge Injection vs. Analog Voltage (DG9415)

**SCHEMATIC DIAGRAM (TYPICAL CHANNEL)**

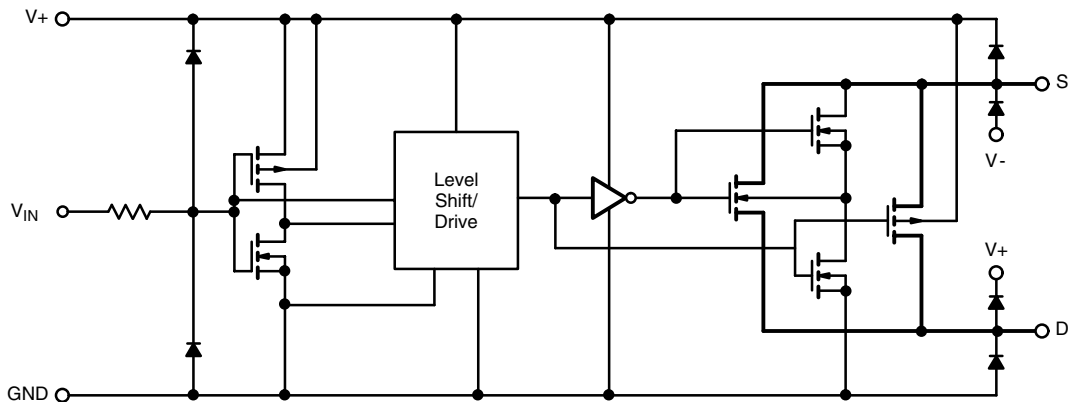
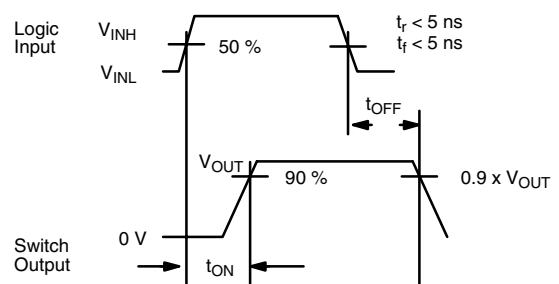
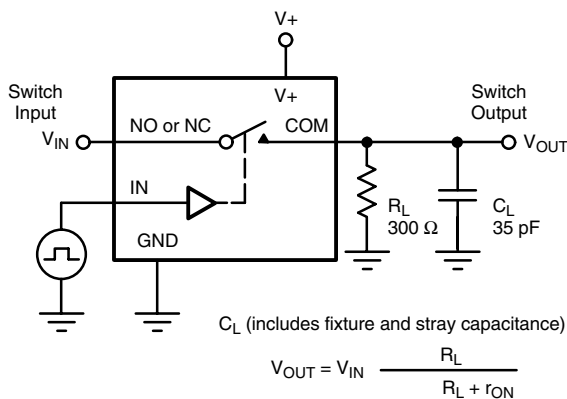


Figure 1.

**TEST CIRCUITS**



Note: Logic input waveform is inverted for switches that have the opposite logic sense control

Figure 2. Switching Time

TEST CIRCUITS

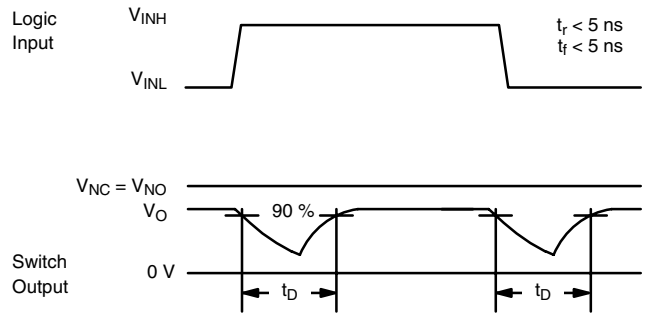
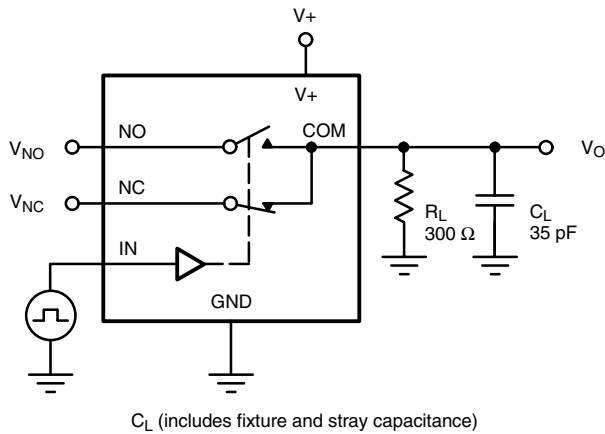


Figure 3. Break-Before-Make

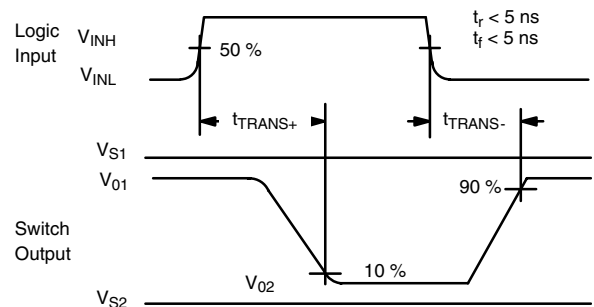
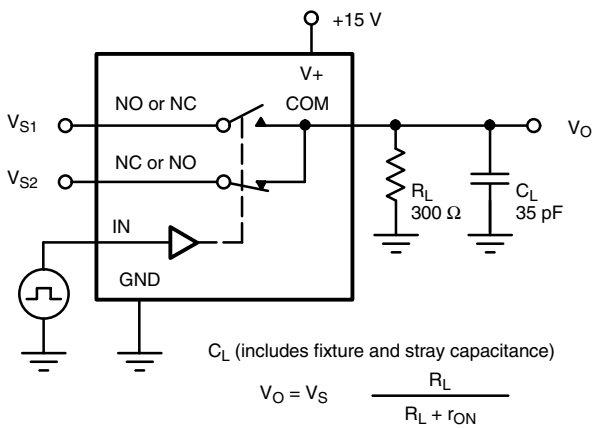
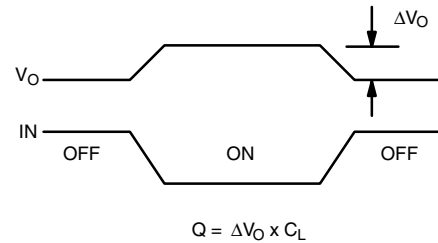
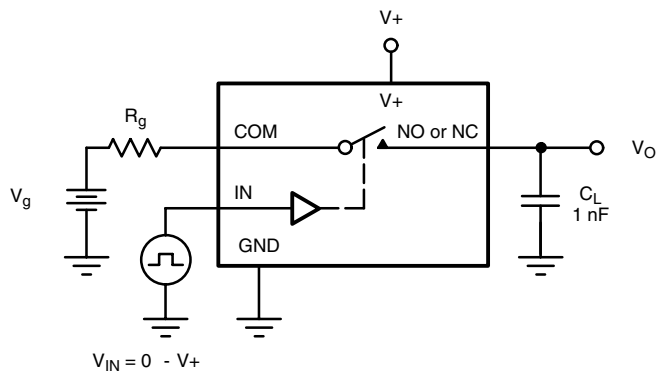


Figure 4. Transition Time

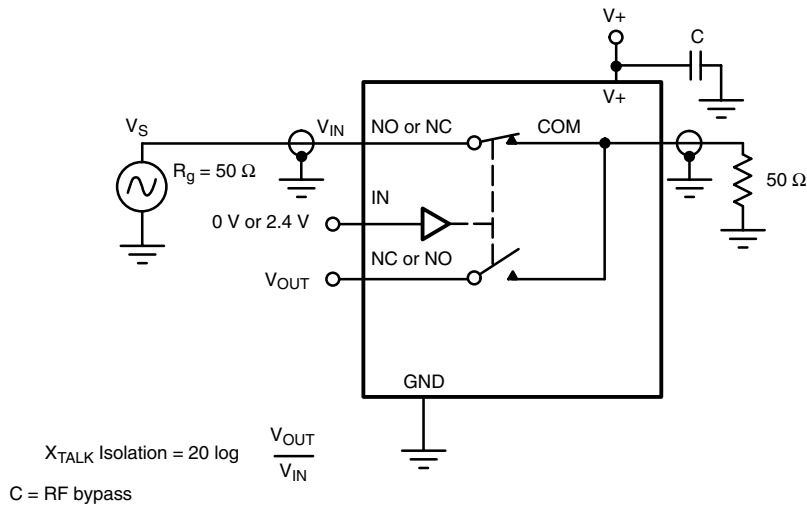


IN dependent on switch configuration Input polarity determined by sense of switch.

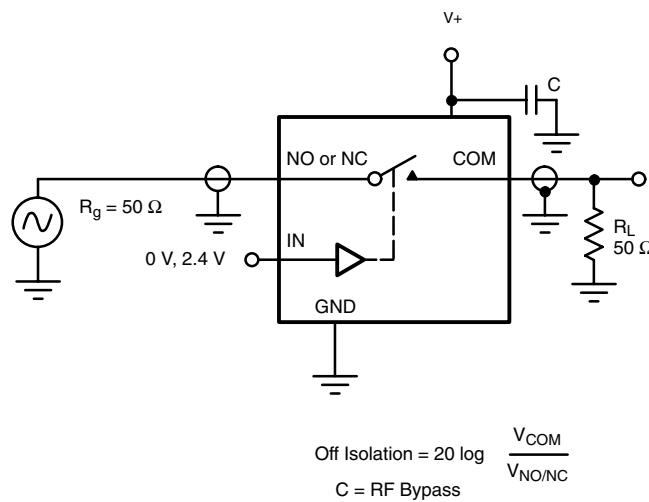
Figure 5. Charge Injection



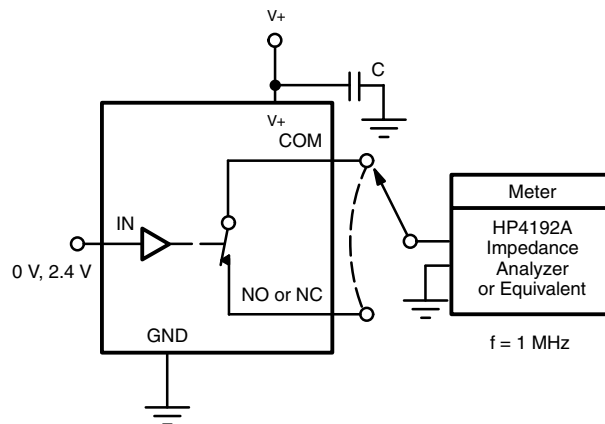
**TEST CIRCUITS**



**Figure 6. Crosstalk**



**Figure 7. Off Isolation**



**Figure 8. Source/Drain Capacitances**

Vishay Siliconix maintains worldwide manufacturing capability. Products may be manufactured at one of several qualified locations. Reliability data for Silicon Technology and Package Reliability represent a composite of all qualified locations. For related documents such as package/tape drawings, part marking, and reliability data, see <http://www.vishay.com/ppg?71766>.



## Disclaimer

All product specifications and data are subject to change without notice.

Vishay Intertechnology, Inc., its affiliates, agents, and employees, and all persons acting on its or their behalf (collectively, "Vishay"), disclaim any and all liability for any errors, inaccuracies or incompleteness contained herein or in any other disclosure relating to any product.

Vishay disclaims any and all liability arising out of the use or application of any product described herein or of any information provided herein to the maximum extent permitted by law. The product specifications do not expand or otherwise modify Vishay's terms and conditions of purchase, including but not limited to the warranty expressed therein, which apply to these products.

No license, express or implied, by estoppel or otherwise, to any intellectual property rights is granted by this document or by any conduct of Vishay.

The products shown herein are not designed for use in medical, life-saving, or life-sustaining applications unless otherwise expressly indicated. Customers using or selling Vishay products not expressly indicated for use in such applications do so entirely at their own risk and agree to fully indemnify Vishay for any damages arising or resulting from such use or sale. Please contact authorized Vishay personnel to obtain written terms and conditions regarding products designed for such applications.

Product names and markings noted herein may be trademarks of their respective owners.