

UNO-2483P

Intel® Core™ i7/Celeron Regular-Size Vision Controller w/ 4 x PoE, 4 x GbE, HDMI/VGA

NEW



Introduction

Advantech's UNO-2000 series of Embedded Automation Computers are Fanless with highly ruggedised with an embedded operating system (Windows CE, Windows Embedded 7/8, Linux-Embedded). It also includes iDoor technology which supports automation feature extensions such as industry fieldbus communication, Wi-Fi/3G, Digital I/O, including Palm, Small, and Regular-size Form-Factors with indicated market segments in terms of entry, value and performance product positioning. Both entry and value Embedded Automation Computers feature specific functions and they are suitable for data gateway, concentrator and data server applications. The performance model can shorten your development time and offer multiple networking interfaces to fulfill a diverse range of requirements.

Specifications

General

- **Certification** CE, FCC, UL, CCC, BSMI
- **Dimensions (W x D x H)** 252 x 149 x 68 mm (9.9" x 5.9" x 2.7")
- **Form Factor** Regular Size
- **Enclosure** Aluminum Housing
- **Mounting** Stand, Wall, VESA (Optional)
- **Weight (Net)** 1.6kg (3.5lbs)
- **Power Requirement** 24V_{DC} ± 20%
- **Power Consumption** 48W (Typical), 134W (Max)
- **OS Support** Microsoft® Windows 7/8

System Hardware

- **BIOS** AMI UEFI 128Mbit Flash BIOS
- **Watchdog Timer** Programmable 256 levels timer interval, from 1 to 255 sec
- **Processor** Intel 4th Gen Core™ i7-4650U ULT 1.7 GHz Dual Core, 4MB L2 Intel 4th Gen Celeron® 2980U ULT 1.6 GHz Dual Core, 2MB L2 Integrated Intel 8 Series Chipset
- **System Chip** On-board 4GB DDR3L 1600 MHz for UNO-2483P-4C3AE
- **Memory** On-board 8GB DDR3L 1600 MHz for UNO-2483P-474AE Intel® HD Graphics 5000/Intel® HD Graphics
- **Graphics Engine** Intel® i210-IT GbE, 802.1Qav, IEEE1588/802.1AS, 802.3az
- **Ethernet** Intel® i218-LM GbE, Intel® AMT, IEEE1588/802.1AS, 802.3az Intel® i350-AM2 GbE, 802.1Q, IEEE1588/802.1AS, 802.3az LEDs for Power, battery, LAN (Active, Status), Tx/Rx and HDD
- **LED Indicators** One mSATA
- **Storage** Two drive bays for SATA 2.5" HDD (Compatible with 9.5mm height HDD)
- **Expansion** 1 x Half-size mPCIe slot, mPCIe 2.0
1 x full size mPCIe slot when without 2 POE module through iDoor

I/O Interfaces

- **Serial Ports** 2 x RS-232, DB9, 50-115.2kbps
2 x RS-422/485, DB9, auto flow control, 50-115.2kbps
- **LAN Ports** 4 x RJ45, 10/100/1000 Mbps IEEE 802.3u 1000Base-T Fast Ethernet
- **PoE** 4 x RJ45, IEEE 802.3af compliant, 15.4W per port
- **USB Ports** 4 x USB Ports (2 x USB 2.0, 2 x USB 3.0 compliant)
- **Displays** 1 x VGA, supports 1920 x 1200 @ 60Hz 24bpp
1 x HDMI 1.4a, supports 3200 x 2000 @ 60Hz 24bpp
- **Audio** Line-In, Line-Out
- **Power Connector** 1 x 3 Pins, Terminal Block

Features

- Intel® 4th Generation Core™ i7/Celeron Processors up to 1.9GHz with 4GB/8GB DDR3L Memory
- 4 PoE, 4 x GbE, 4 x USB 2.0/3.0, 2 x RS-232, 2 x RS-422/485, 1 x VGA, 1 x HDMI, Audio
- Comprehensive Palm, Small, Regular-size form-factors
- Compact with Fanless Design
- Rubber Stopper Design with Captive Screw
- Dual HDD/SSD support with RAID 0/1 in regular-size
- Diverse system I/O and Isolated Digital I/O by iDoor Technology
- 3G/GPS/GPRS/Wi-Fi Communication by iDoor Technology
- Supports MRAM by iDoor Technology
- Chassis Grounding Protection
- LAN Redundancy (Teaming)
- Fault-Protected RS-485 Transceivers With Extended Common-Mode Range

Environment

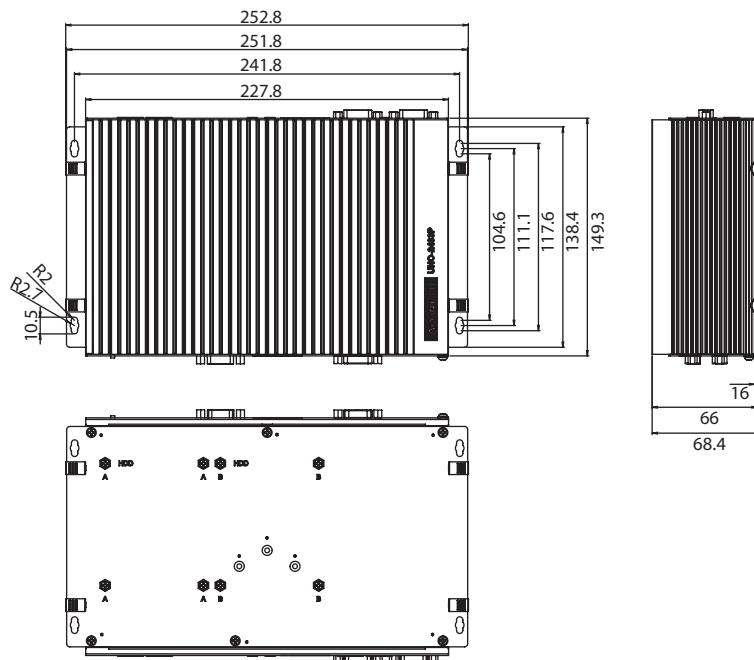
- **Operating Temperature** - 20 ~ 50°C (-4 ~ 122°F) @ 5 ~ 85% RH with 0.7m/s airflow
- **Storage Temperature** - 40 ~ 85°C (-40 ~ 185°F)
- **Relative Humidity** 10 ~ 95% RH @ 40°C, non-condensing
- **Shock Protection** Operating, IEC 60068-2-27, 50G, half sine, 11ms
- **Vibration Protection** Operating, IEC 60068-2-64, 2Grms, random, 5 ~ 500Hz, 1hr/axis (mSATA)
Operating, IEC 60068-2-64, 0.7Grms, random, 5 ~ 500Hz, 1hr/axis (HDD)
- **Ingress Protection** IP40

Application Software

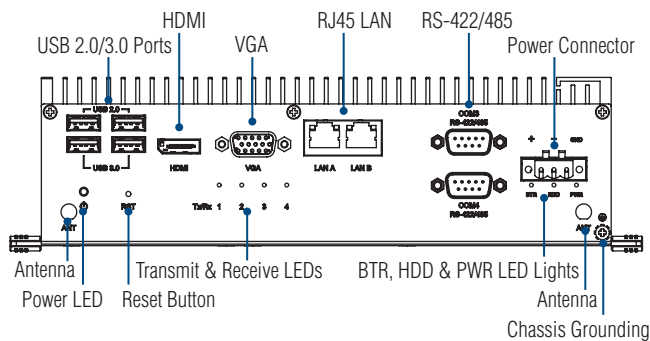
	Version : V2.1 or above An innovative remote device management software, allowing efficient remote monitoring, quick recovery & backup, and real-time remote configuration, to create a more intelligent and interconnected embedded computing solution.
	Version : V7.1 or above WebAccess, as the core of Advantech's IoT solution, is full web browser-based software package for HMI and SCADA software. All HMI and SCADA software features including: Animated Graphics Displays, Real-time Data, Control, Trends, Alarms and Logs, are available in a standard web browser. WebAccess is built around the latest internet technologies. With its open architecture, vertical domain applications can easily be integrated.
	Version : V2.0.3.8 or above Panel Express, a windows based HMI mini SCADA, realizes the cross platform flexibility offered by WebOP Designer to switch hardware for the consideration of cost and performance become an easy job. Panel Express software provides the best economic and express solution for data intensive high-end HMI applications.
	Version : V2.0.3.8 or above An easy to use integrated development tool featuring solution-oriented screen objects, high-end graphics, Windows fonts for multi-language applications. WebOP runtime, a part of WebOP Designer, guarantees reliability and performance because of the minimum system overhead, high communication data rates, and sub-second screen switching.

Dimensions

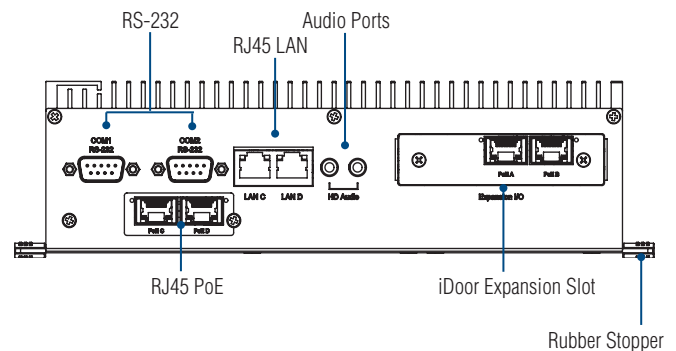
Unit: mm



Front I/O View



Rear I/O View



Ordering Information

- **UNO-2483P-4C3AE** Intel® Celeron 2980U ULT 1.6GHz, 4GB, 4 x PoE, 4 x LANs
- **UNO-2483P-474AE** Intel® Core™ i7-4650U ULT 1.7GHz, 8GB, 4 x PoE, 4 x LANs

Accessories

- **1757002161** 150W AC to DC power adapter (Commercial Grade)
- **1702002600** Power Cable US Plug 1.8 M (Industrial Grade)
- **1702002605** Power Cable EU Plug 1.8 M (Industrial Grade)
- **1702031801** Power Cable UK Plug 1.8 M (Industrial Grade)
- **1700000596** Power Cable China/Australia Plug 1.8 M (Industrial Grade)
- **1700001524** Power Cable 3-pin US type 1.8 M (Commercial Grade)
- **170203183C** Power Cable 3-pin EU type 1.8 M (Commercial Grade)
- **170203180A** Power Cable 3-pin UK type 1.8 M (Commercial Grade)

Embedded OS & Automation Software

- **968WEXP003X** PanelExpress V2.0 300 tags S/W license
- **968WEXP015X** PanelExpress V2.0 1500 tags S/W license
- **968WEXP050X** PanelExpress V2.0 5000 tags S/W license