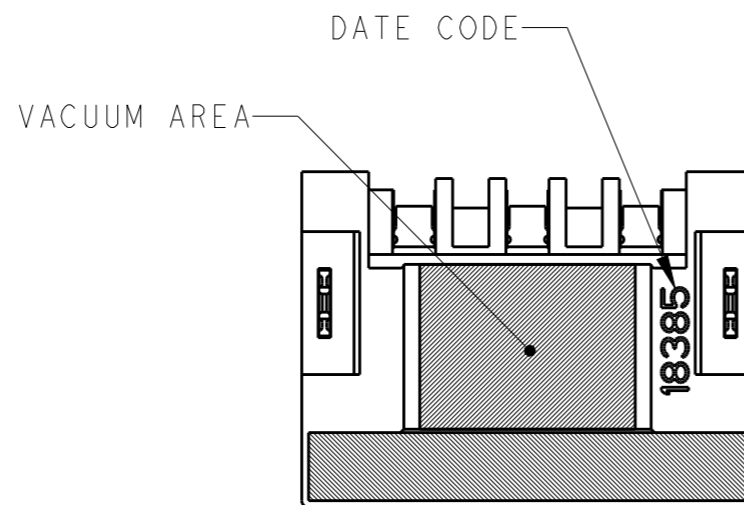


© 20 BY -

REVISIONS

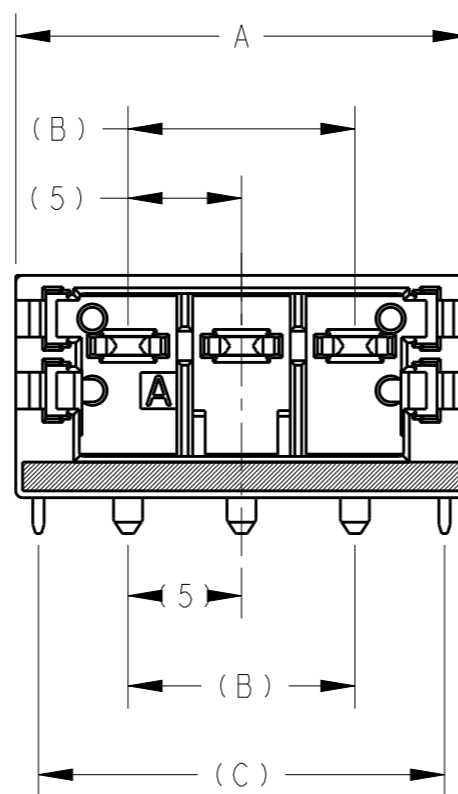
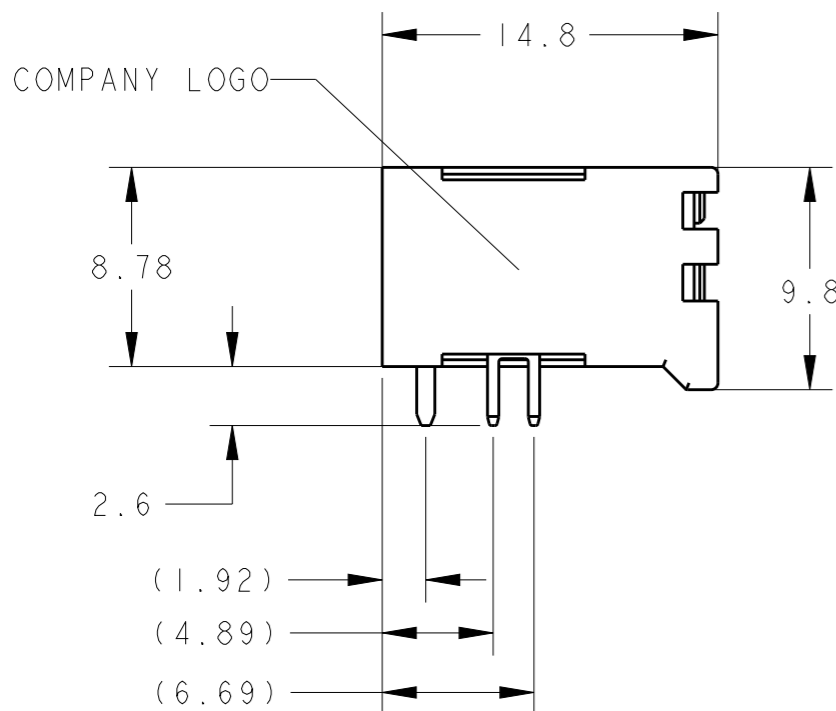
P	LTR	DESCRIPTION	DATE	DWN	APVD
	A	RELEASE PER ECR-20-003811	13MAR2020	T.S	E.1



1 MATERIAL AND FINISH
 HOUSING : LIQUID CRYSTAL PLASTIC, BLACK
 CONTACT : COPPER ALLOY, PLATING: CONTACT AREA SEE TABLE
 SOLDERING AREA TIN

2. INSTRUCTION SHEET : 408-78171

CONTACT AREA PLATING	DIM C	DIM B	DIM A	NO OF POSN	PART NUMBER
0.38um GOLD	22.9	15	24.9	4	2-2336490-4
0.38um GOLD	17.9	10	19.9	3	2-2336490-3
TIN	22.9	15	24.9	4	2336490-4
TIN	17.9	10	19.9	3	2336490-3



THIS DRAWING IS A CONTROLLED DOCUMENT.

DIMENSIONS: mm	TOLERANCES UNLESS OTHERWISE SPECIFIED: 0 PLC ±0.5 1 PLC ±0.5 2 PLC ±0.5 3 PLC ± 4 PLC ± ANGLES ±5°
MATERIAL	FINISH

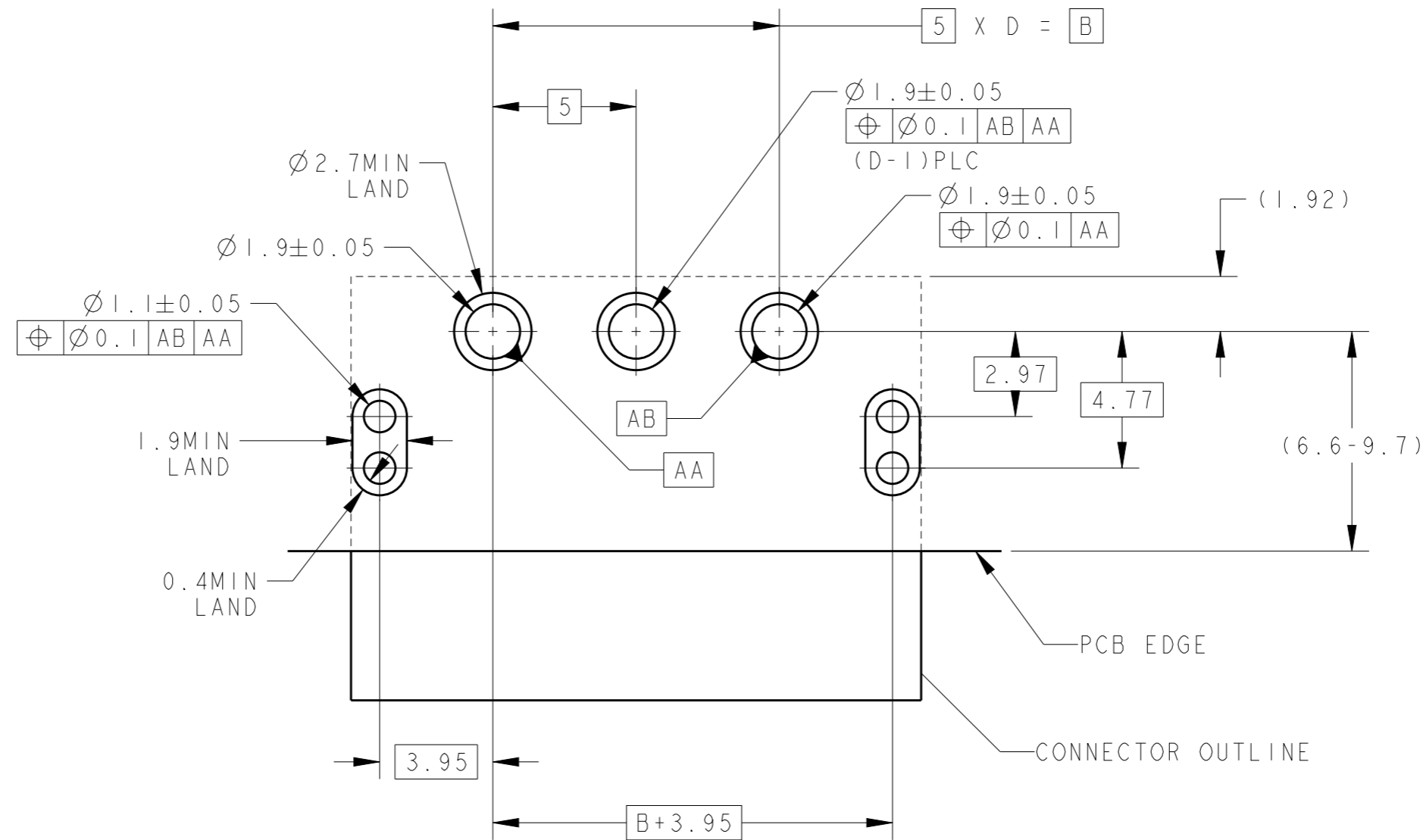
DWN	H. OSABE	15MAY2019
CHK	T. SHIMOYASU	15MAY2019
APVD	F. IKEMATSU	15MAY2019
PRODUCT SPEC	108-140223	
APPLICATION SPEC	-	
WEIGHT	-	
CUSTOMER DRAWING		



NAME HEADER ASSEMBLY, 90 DEGREE TYPE D2970 PUSH-IN TYPE, DYNAMIC FIELD INSTALLABLE CONNECTOR				RESTRICTED TO
SIZE	CAGE CODE	DRAWING NO		
A3	00779	C-2336490		
SCALE	SHEET	OF	REV	
3:1	1	2	A	

REVISIONS

P	LTR	DESCRIPTION	DATE	DWN	APVD
		SEE SHEET 1			



RECOMMENDED PCB LAYOUT

THIS DRAWING IS A CONTROLLED DOCUMENT.		DWN H. OSABE 15MAY2019		
DIMENSIONS: mm		CHK T. SHIMOYASU 15MAY2019		
TOLERANCES UNLESS OTHERWISE SPECIFIED:		APVD E. IKEMATSU 15MAY2019	NAME HEADER ASSEMBLY, 90 DEGREE TYPE D2970 PUSH-IN TYPE, DYNAMIC FIELD INSTALLABLE CONNECTOR	
0 PLC ±0.5 1 PLC ±0.5 2 PLC ±0.5 3 PLC ± 4 PLC ± ANGLES ±5°		PRODUCT SPEC 108-140223	RESTRICTED TO	
MATERIAL -		FINISH -	APPLICATION SPEC -	SIZE A3
		WEIGHT -	APPLICATION SPEC -	CAGE CODE 00779
			APPLICATION SPEC -	DRAWING NO C-2336490
				SCALE 3:1
				SHEET 2 OF 2
				REV A
				CUSTOMER DRAWING