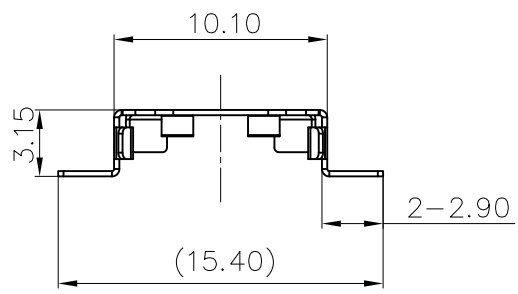
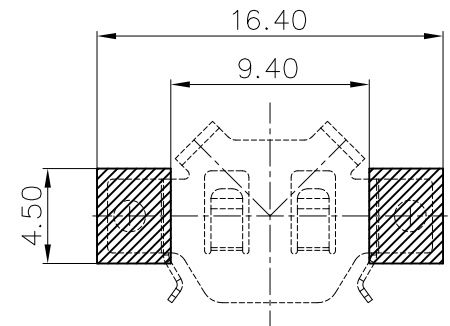
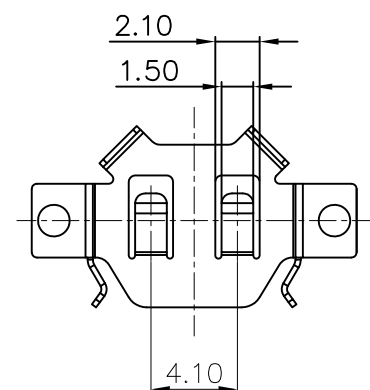
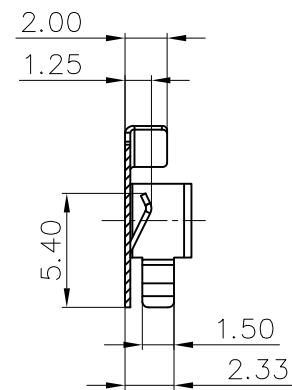
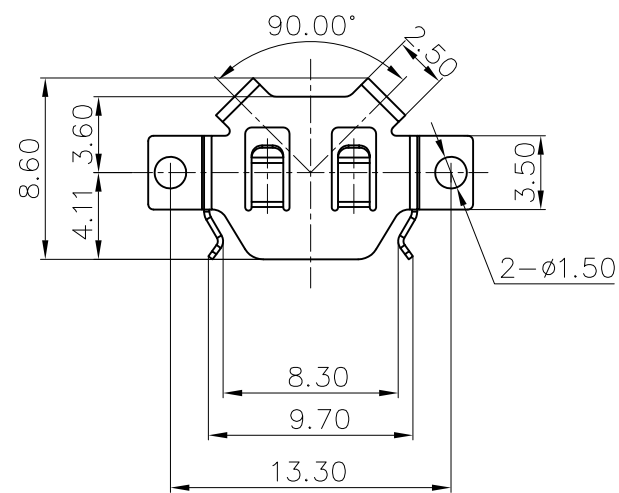
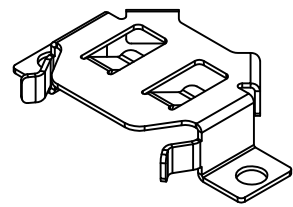
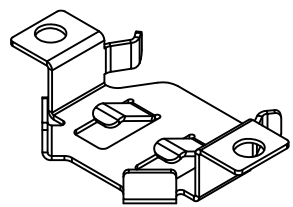
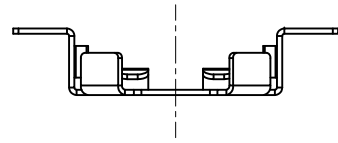




A型

REV.	ECN NO.	REVISED	DATE



工程部  
2021-04-16  
LQ. HUANG

技术要求:

- 1、截断面毛刺高度 $\leq 0.03\text{mm}$ ;
- 2、部件要求平整,无变形、裂纹、损伤等外观缺陷;
- 3、冲压后,产品先热处理,处理后产品要有足够弹性强度,则同时还要有一定韧性;

UNLESS OTHERWISE SPECIFIED TOLERANCES		<b>MYOUNG 美阳</b> www.meiyangdz.com			
DECIMALS: X :±0.30 X.X :±0.25 X.XX :±0.20 X.XXX :±0.10	ANGLES: X :±1° X.X :±0.5°	DSND	YangFeng	DATE	2021-04-16
		CHKD	ZhouRuicai	DATE	2021-04-16
		APVD	XueShunyong	DATE	2021-04-16
WEIGHT:		SCALE:	SIZE: A4	VIEW:	
SHEET 1 OF 1		UNIT: mm	REV.: A/0	OBJECT: MY	TITLE: 电池扣CR927-W SMT PART NO.: MY-927-02 DRAW NO.:MY-CP-0261

1	TERMINAL+	1	C5191 T=0.25MM	Ni-Plating
NO.	PART NAME	Q'TY	MATERIAL	PLATING & COLOR