

SPECIFICATIONS

Electrical Ratings	.4 VA max @ 20VAC or VDC max
Electrical Life	50,000 cycles typical
Contact Resistance	< 50 mΩ max initial
Dielectric Strength	250Vrms min
Actuation Force	500 +/- 100gF
Travel	2.0 +/- .2mm
Insulation Resistance	> 100MΩ min
Operating Temperature	-20°C to 70°C
Storage Temperature	-20°C to 70°C



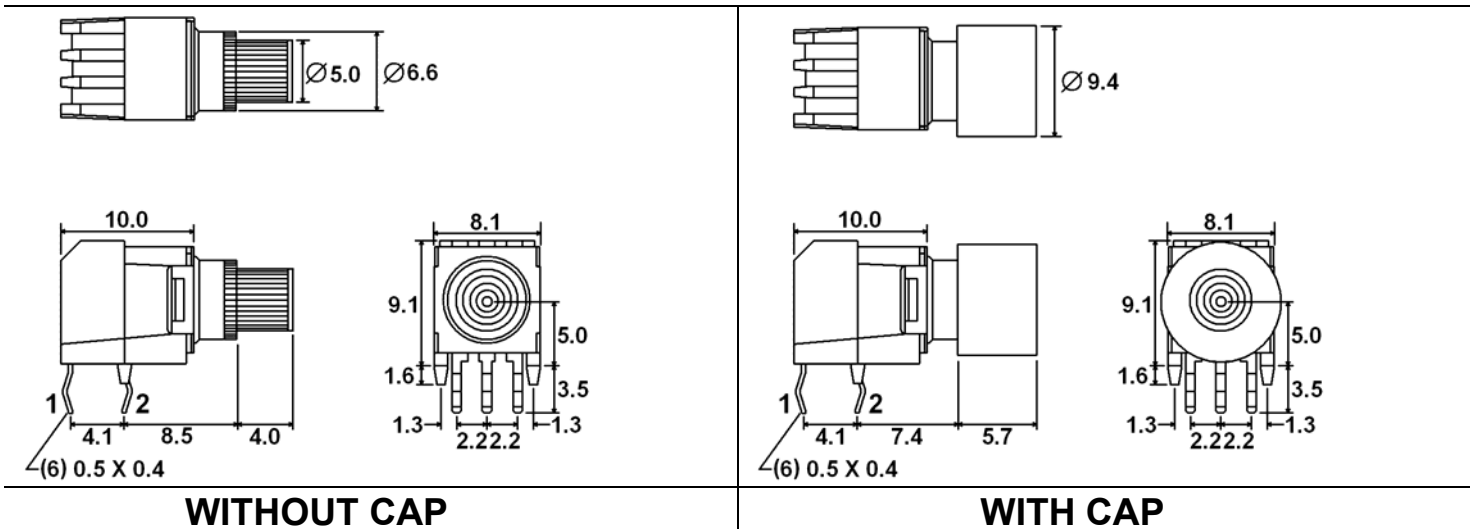
MATERIALS ←RoHS COMPLIANT

Actuator	PC
Cap	6/6 Nylon, glass filled
Cover	Steel, Tin Plated
Housing	6/6 Nylon, glass filled
Spacer	Rubber
Contacts	Stainless Steel, Gold Plated
Terminals	Brass, Gold Plated

ORDERING INFORMATION

Series:	MH	PG
	MH	
	MHC (with black cap)	
LED Colors:		
X = No LED	RY = Red/Yellow dual LED	
R = Red	RG = Red/Green dual LED	
Y = Yellow	RB = Red/Blue dual LED	
G = Green	YG = Yellow/Green dual LED	
PG = Pure Green	YB = Yellow/Blue dual LED	
B = Blue	GB = Green/Blue dual LED	
W = White	**White & Pure Green are only available as a single color LED	

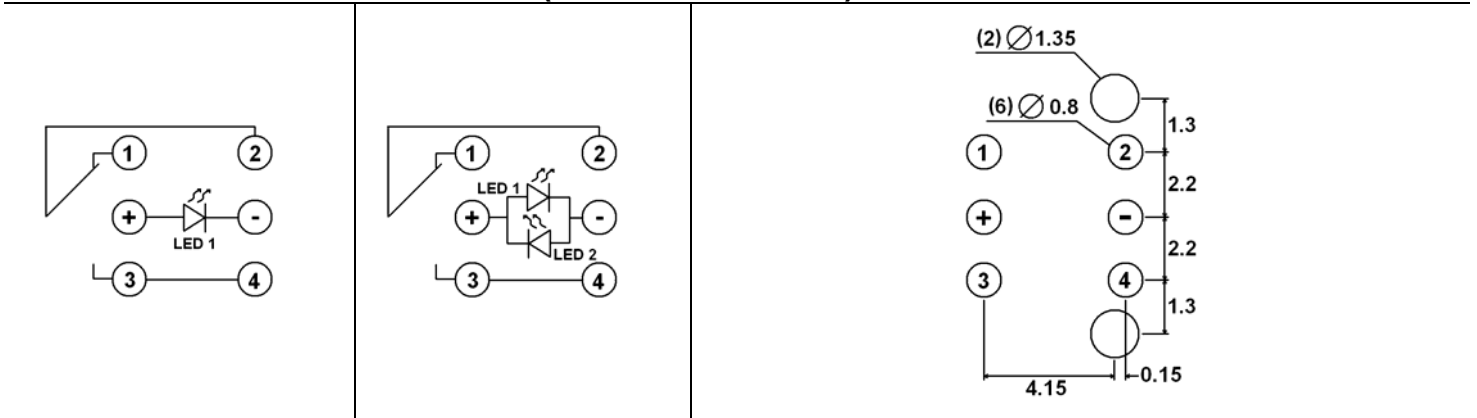
DIMENSIONS



WITHOUT CAP

WITH CAP

SCHEMATICS & PC LAYOUT (BOTTOM VIEWS)



LED CHARACTERISTICS

LED Ratings		COLORS						
		R	Y	G	B	PG	W	Units
Reverse Voltage	V_R	5	5	5	5	5	5	V
Forward Current (avg)	I_F	30	30	20	30	30	30	mA
Forward Current (peak)	I_{FS}	90	60	80	100	100	100	mA
Reverse Current $V_R = 5V$	I_R	10	10	10	50	50	50	μA
Power Dissipation	P_T	75	75	60	120	120	120	mW
Operating & Storage Temperature	T_A	-40~ +85						$^{\circ}C$
Forward Voltage (typ.), $I_F = 20mA$	V_F	1.5	1.7	1.7	3.5	3.5	3.5	V
Forward Voltage (max.), $I_F = 20mA$	V_F	2.4	2.6	2.6	4.0	4.0	4.0	V
Wavelength at Peak Emission, $I_F = 20mA$	λ_P	630	590	585	470	525	N/A	nm
Spectral Line Half-Width, $I_F = 20mA$	$\Delta\lambda$	20	20	35	30	36	N/A	nm
Luminous Intensity, $I_F = 20mA$	LI	900	450	30	1800	1100	3000	mcd
Viewing Angle	Θ	30	30	30	30	30	30	Deg