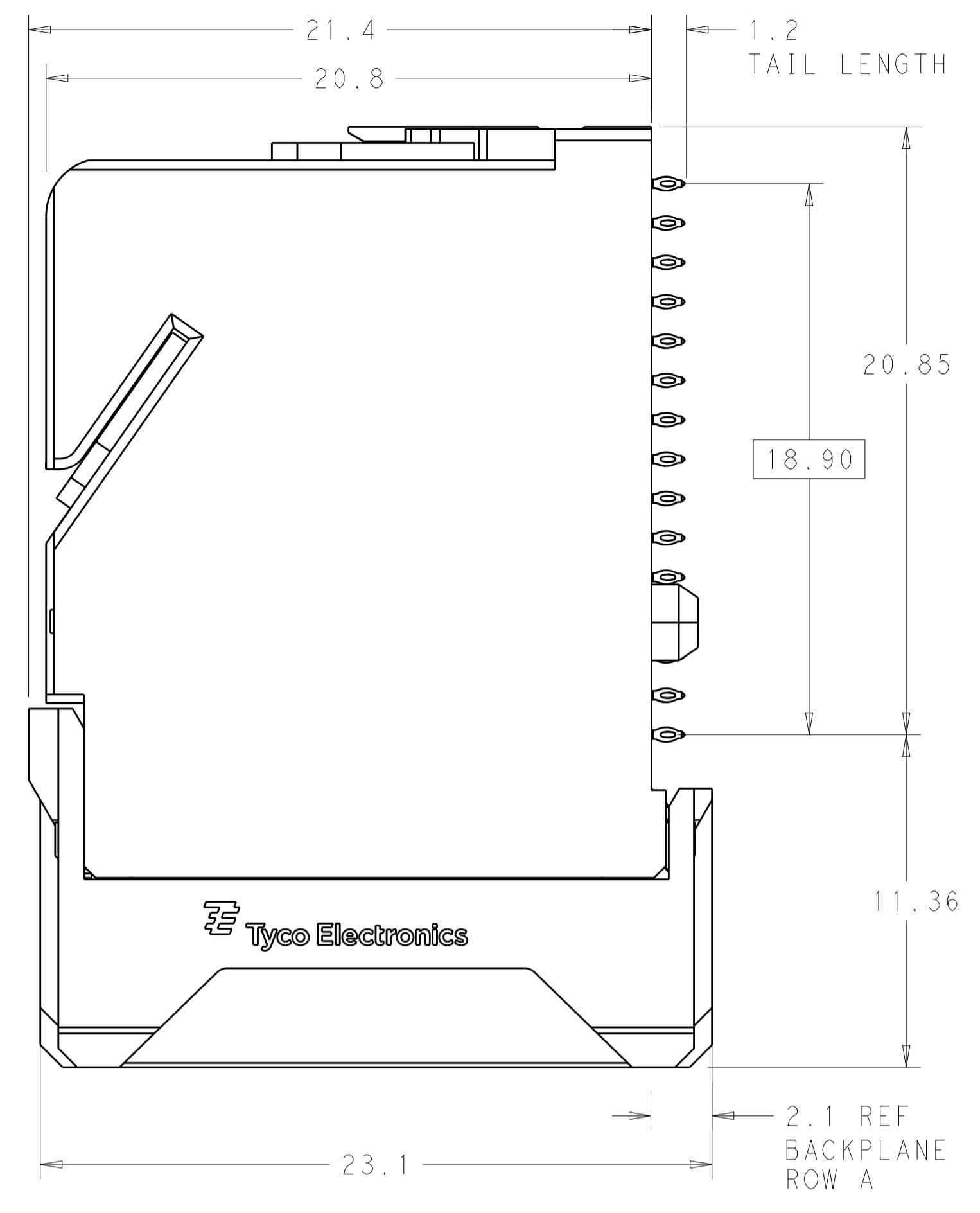
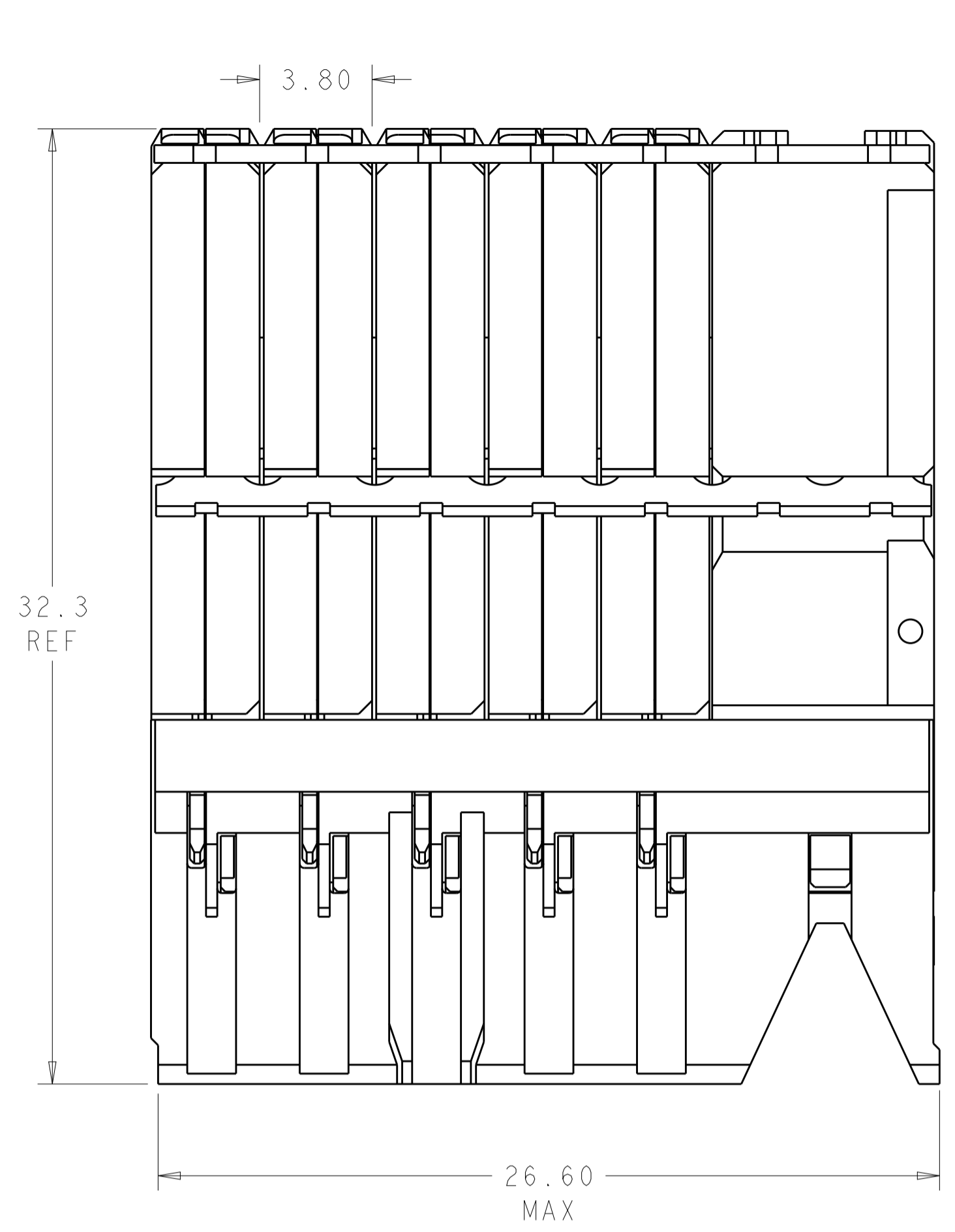


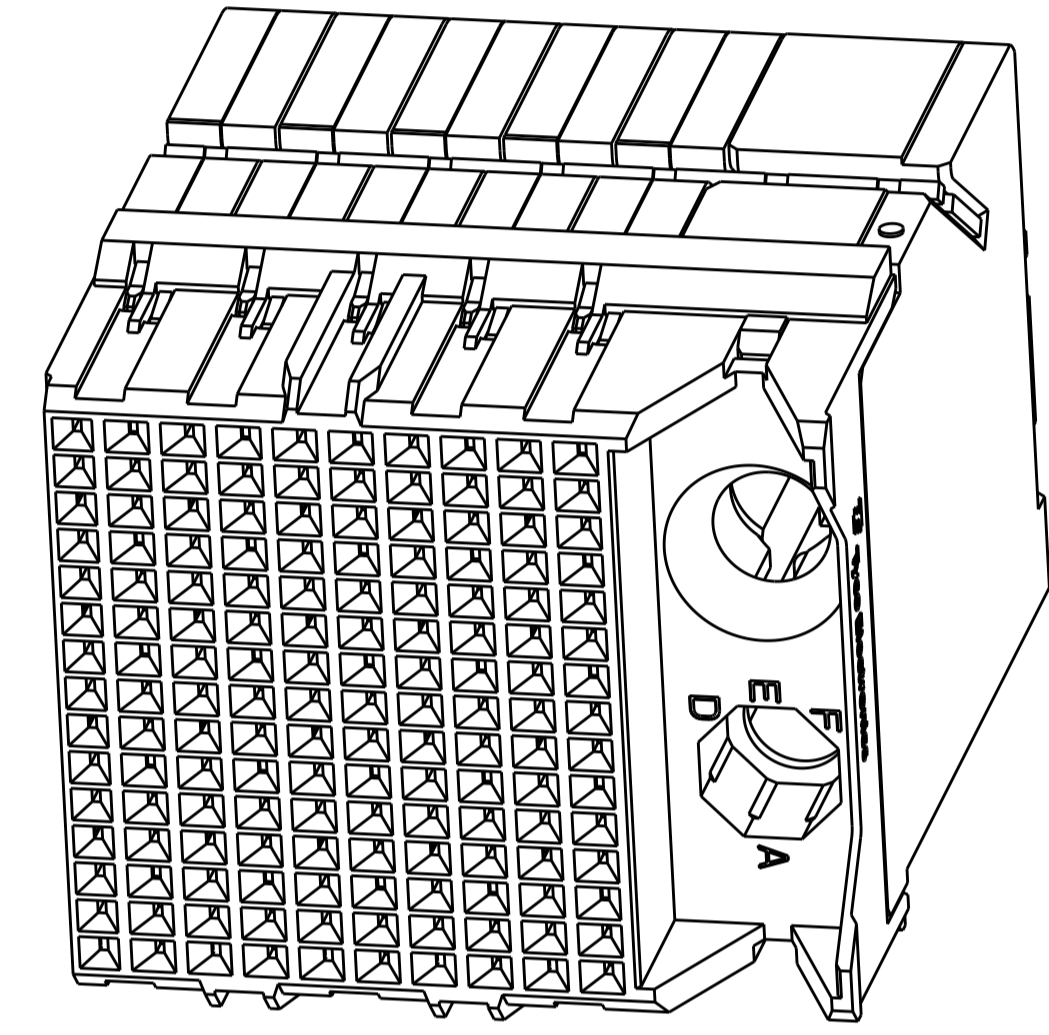
REVISIONS				
P.	LTN	DESCRIPTION	DATE	APVD
C2		REVISED PER ECO-15-004915	09APR2015	AP DD



⚠ MATERIAL:
 HOUSING: LCP, GLASS FILLED, UL94V-0.
 TERMINALS: HIGH PERFORMANCE COPPER ALLOY.

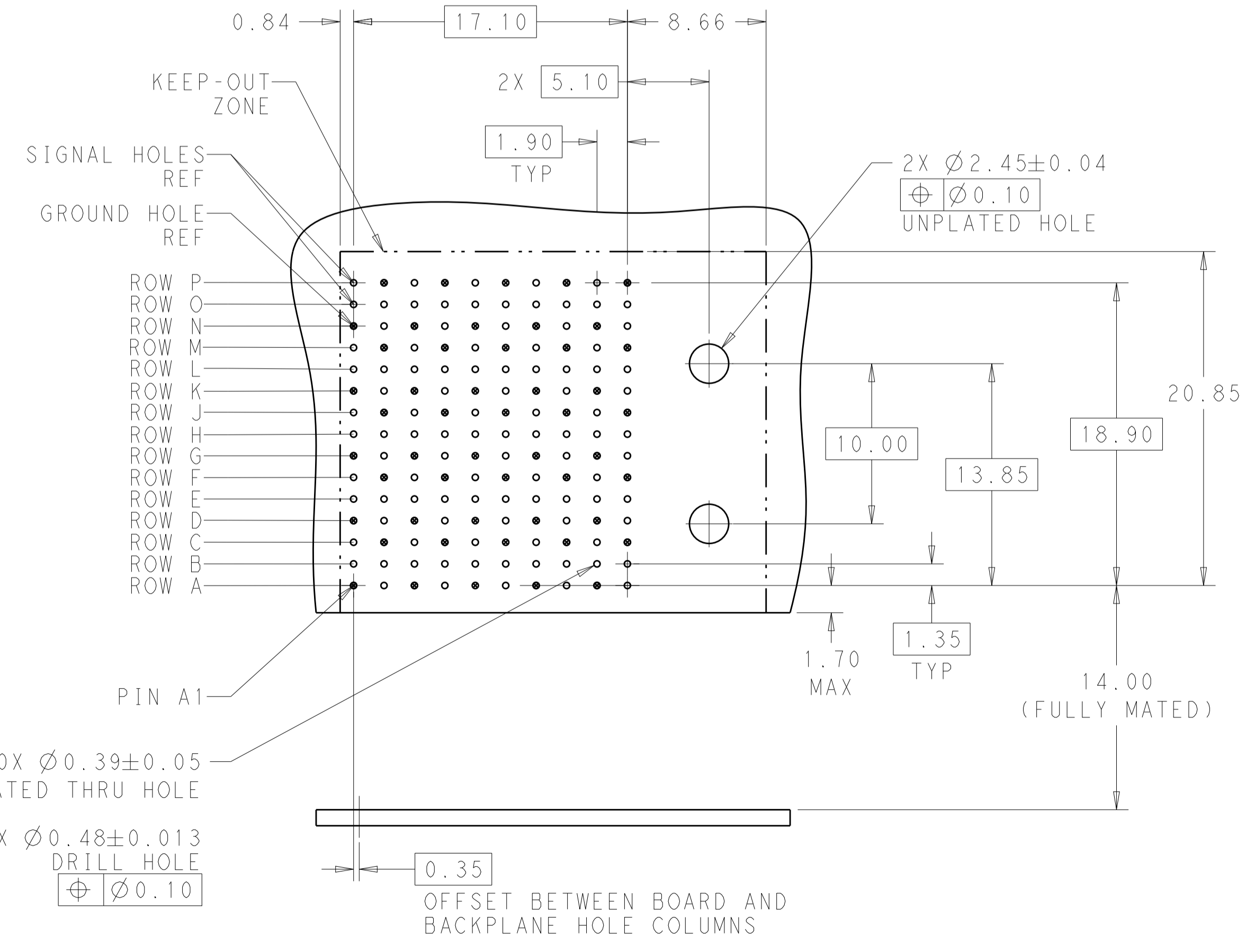
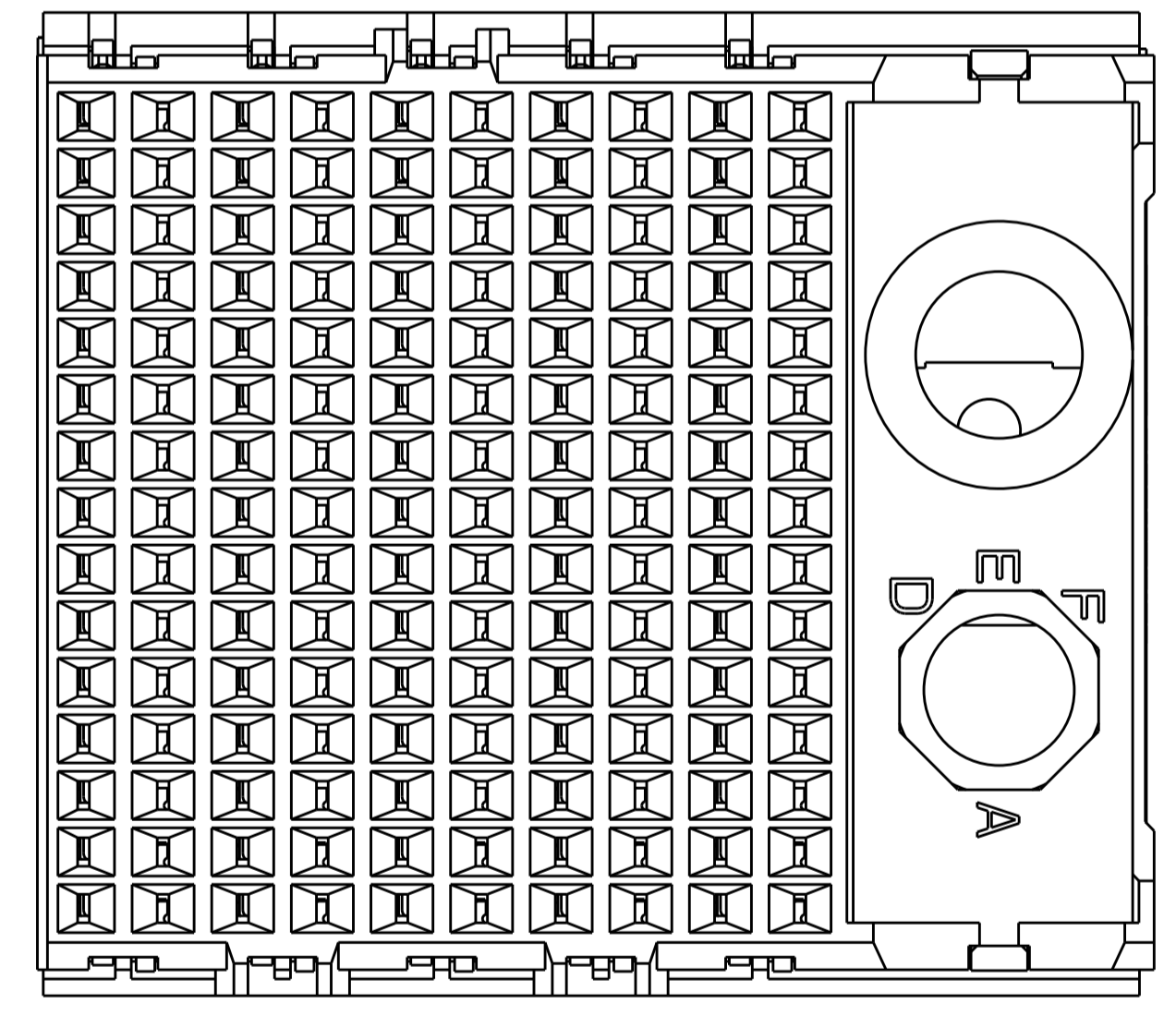
⚠ FINISH:
 30µ" SELECTIVE GOLD IN CONTACT AREA. SELECTIVE TIN ON PCB TAILS, NICKEL OVERALL.

3. CONNECTORS SUPPLIED WITH MOUNTING SCREW.



SCALE 4:1

REFER TO WWW.TE.COM FOR PRODUCT AVAILABILITY



KEY POSITION CHART	
	NONE
	A
	B
	C
	D
	E
	F
	G
	H

KEY POSITION	FINISH	PART NUMBER
H	⚠	8-2110105-1
G	⚠	7-2110105-1
F	⚠	6-2110105-1
E	⚠	5-2110105-1
D	⚠	4-2110105-1
C	⚠	3-2110105-1
B	⚠	2-2110105-1
A	⚠	1-2110105-1
NONE	⚠	2110105-1

150X $\varnothing 0.39 \pm 0.05$ PLATED THRU HOLE
 150X $\varnothing 0.48 \pm 0.013$ DRILL HOLE
 $\varnothing 0.10$

RECOMMENDED PCB LAYOUT
 MIN BOARD THICKNESS 1.0

THIS DRAWING IS A CONTROLLED DOCUMENT.

OWN: J. K. SHOBER 14FEB2011
 CHK: D. DIXON 14FEB2011
 APVD: D. DIXON 14FEB2011

TE Connectivity

NAME: IMPACT, 5 PAIR, DAUGHTERCARD 10 COLUMN, RIGHT GUIDED, SIGNAL MODULE, 0.39 EYELET

SIZE: A1 CAGE CODE: 2110105 DRAWING NO: 100779 ©=2110105

RESTRICTED TO: -

CUSTOMER DRAWING SCALE: 6:1 SHEET: 1 OF 1 REV: C2