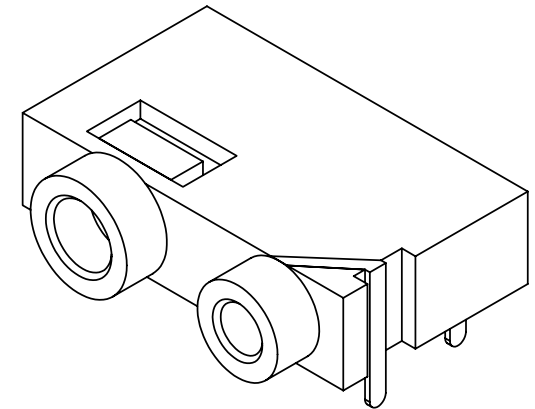
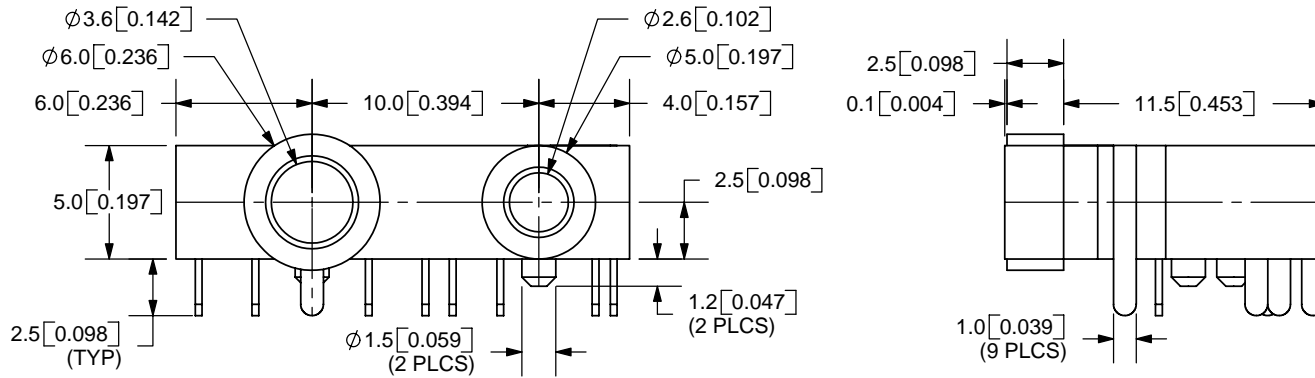
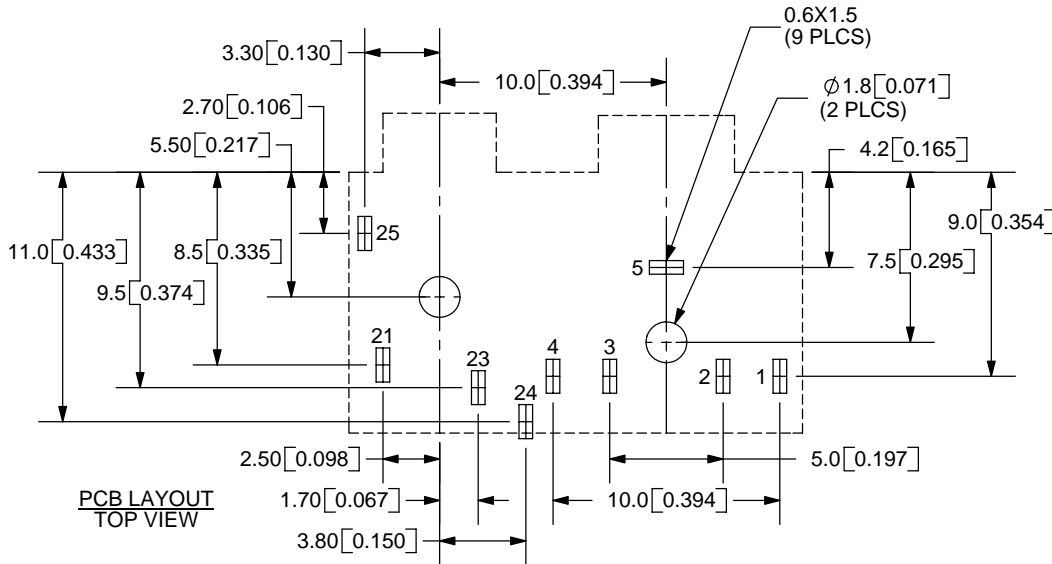


REV.	DESCRIPTION	DATE
A	NEW DRAWING	12/16/2005

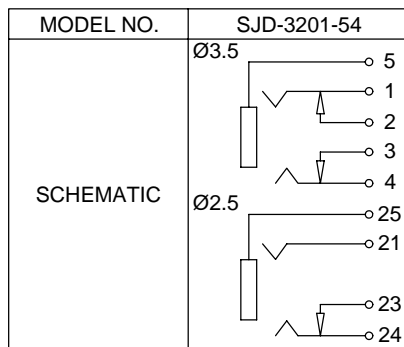


TOLERANCE:
 X.X ± 0.2 mm
 X.XX ± 0.1 mm
 X.XXX ± 0.05 mm

SPECIFICATIONS:
 RATING: 16V DC @ 0.3A
 CONTACT RESISTANCE: 50m OHMS MAX
 INSULATION RESISTANCE: 100M OHMS MIN: 500V DC
 VOLTAGE WITHSTAND: 500V AC R.M.S. FOR 1 MINUTE
 LIFE: 5,000 CYCLES



PCB LAYOUT
TOP VIEW



	MATERIAL	PLATING
TERMINAL 1	PBS	Tin
TERMINAL 2	Brass	Tin
TERMINAL 3	Brass	Tin
TERMINAL 4	PBS	Tin
TERMINAL 5	PBS	Tin
TERMINAL 21	PBS	Tin
TERMINAL 23	Brass	Tin
TERMINAL 24	PBS	Tin
TERMINAL 25	PBS	Tin
INNER RING (2.5 ϕ)	Brass	Nickel
INNER RING (3.5 ϕ)	Brass	Nickel
HOUSING	PA66	



9615 SW Allen Blvd., Ste. 103
 Beaverton, OR 97005
 Phone: 503-643-4899
 800-275-4899
 Fax: 503-372-1266
 Website: www.cui.com

TITLE:	3.5/2.5mm COMBO JACK, PCB MOUNT	REV:	A
PART NO.	SJD-3201-54	UNITS:	MM [INCHES]
DRAWN BY:	ZRJ	APPROVED BY:	
		SCALE:	3:1

PC FILE NAME:
SJD-3201-54

COPYRIGHT 2005 BY CUI INC.