

DB ELECTRO^{CO., LTD.}

Présente / Presents:

NINGBO HUAGUAN ELECTRONICS CO., LTD.





29 × 12.6 × 24.5

JQX-62F



03001003505



R50007462 c  US E158859

Features

- Can be welded directly onto PCB.
- Used in household appliances like air conditioning , heater and instruments etc.

Ordering Information

JQX-62F A Z 20 C DC12V

1 2 3 4 5 6

1 Part number: JQX-62F

2 Contact arrangement: A:1A

3 Enclosure: Z: Dust cover

4 Contact rating: 20A/125VAC; 16A/250VAC 24VDC

5 Contact material: C:AgCdO; NIL:AgSnO₂

6 Coil rated voltage(V): DC:5,6,9,12,18,24,48

Contact Data

Contact Arrangement	1A (SPSTNO)		
Contact Material	AgSnO ₂ AgCd		
Contact Rating (resistive)	20A/125VAC; 16A/250VAC, 24VDC		
Max. Switching Power	385W 4000VA	Min. Switching Current: 10mA/5V	
Max. Switching Voltage	30VDC 277VAC	Max. Switching Current:20A	
Contact Resistance or Voltage drop	<50mΩ	Item 3.12 of IEC255-7	
Operation life	Electrical	10 ⁵	Item 3.30 of IEC255-7
	Mechanical	10 ⁷	Item 3.31 of IEC255-7

CAUTION:

Relays previously tested or used above 10mA resistive at 6VDC maximum or peak AC open circuit are not recommended for subsequent use in low level applications.

Coil Parameter

Dash numbers	Coil voltage VDC		Coil current mA	Coil resistance Ω ± 10%	Pickup voltage VDC(max) (80%of rated voltage)	Release voltage VDC(min) (10% of rated voltage)	Coil power consumption W	Operate Time ms	Release Time ms
	Rated	Max.							
005-540	5	6.5	108	46	3.75	0.25	0.54	<20	<10
006-540	6	7.8	90	67	4.50	0.30			
009-540	9	11.7	60	150	6.75	0.45			
012-540	12	15.6	44.4	270	9.00	0.60			
018-540	18	23.4	30	600	13.5	0.90			
024-540	24	31.2	21.8	1100	18.0	1.20			
048-540	48	62.4	11.3	4267	36.0	2.40			

- CAUTION:**
- 1.The use of any coil voltage less than the rated coil voltage will compromise the operation of the relay.
 - 2.Pickup and release voltage are for test purposes only and are not to be used as design criteria.

Operation condition

Insulation Resistance	1000M Ω min (at 500VDC)	Item 7 of IEC255-5
Dielectric Strength Between contacts Between contact and coil	50Hz 1000V 50Hz 5000V surge voltage:10kV	Item 6 of IEC255-5 Item 6 of IEC255-5 Item 8 of IEC255-5
Shock resistance	Functional: 100m/s ² 11ms Survival: 1000m/s ² 11ms	IEC68-2-27 Test Ea
Vibration resistance	10~55Hz double amplitude 1.5mm	IEC68-2-6 Test Fc
Terminals strength	10N 8N	IEC68-2-21 Test Ua1 and Ua2
Solderability	235 $^{\circ}$ C \pm 2 $^{\circ}$ C 3 \pm 0.5s	IEC68-2-20 Test Ta method 1
Ambient Temperature	-30~70 $^{\circ}$ C	
Relative Humidity	20%~85% (at 40 $^{\circ}$ C)	IEC68-2-3Test Ca
Mass	15g	

Qualification inspection:

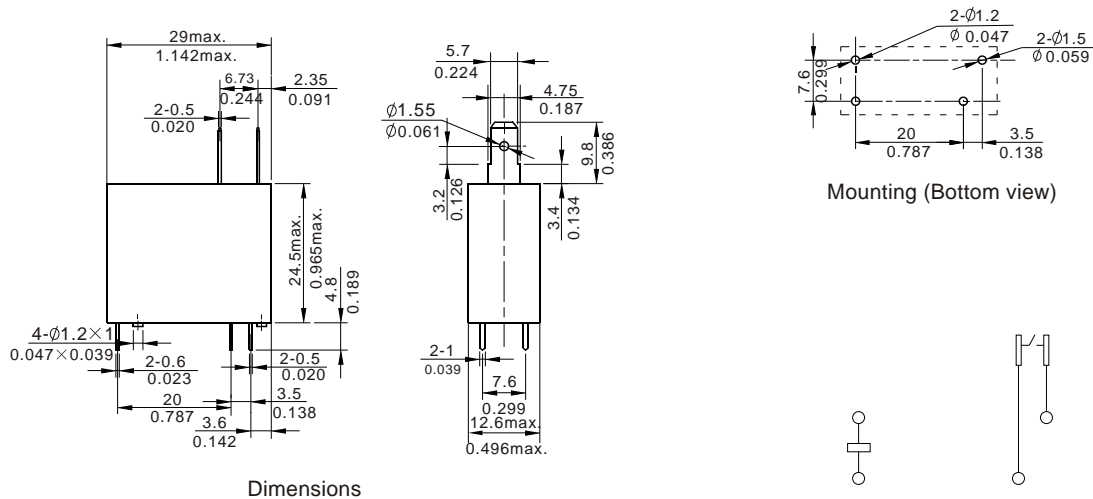
Perform the qualification test as specified in the table IV of IEC255-19-1 and minimum sample size 24.

Safety approvals

Safety approval	UL&CUR	TÜV	CQC
Load	20A/125VAC 16A/250VAC,30VDC	16A/250VAC 24VDC	16A/250VAC

Dimensions

mm /inch



NOTES 1).Dimensions are in millimeters.

2).Inch equivalents are given for general information only.