

**LOW POWER DUAL OPERATIONAL AMPLIFIERS****AZ358/358C****General Description**

The AZ358/358C consists of two independent, high gain and internally frequency compensated operational amplifiers, it is specifically designed to operate from a single power supply. Operation from split power supply is also possible and the low power supply current drain is independent of the magnitude of the power supply voltages.

The AZ358/358C series are Compatible with Industry standard 358. AZ358C has more stringent input offset voltage than AZ358.

The AZ358/358C series are available in standard packages of DIP-8 and SOIC-8.

**Features**

- Internally Frequency Compensated for Unity Gain
- Large Voltage Gain: 100dB (Typical)
- Low Input Bias Current: 20nA (Typical)
- Low Input Offset Voltage: 2mV (Typical)
- Low Supply Current: 0.5mA (Typical)
- Wide Power Supply Voltage Range:
  - Single Supply: 3V to 18V
  - Dual Supplies:  $\pm 1.5V$  to  $\pm 9V$
- Input Common Mode Voltage Range Includes Ground
- Large Output Voltage Swing: 0V to  $V_{CC}-1.5V$
- Power Drain Suitable for Battery Operation

**Applications**

- Battery Charger
- Cordless Telephone
- Switching Power Supply

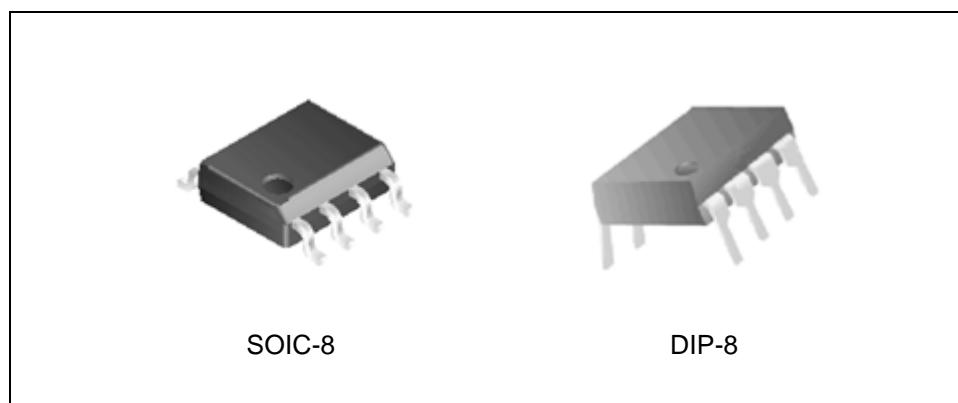


Figure 1. Package Types of AZ358/358C



**LOW POWER DUAL OPERATIONAL AMPLIFIERS**

**AZ358/358C**

**Pin Configuration**

M Package/P Package  
(SOIC-8/DIP-8)

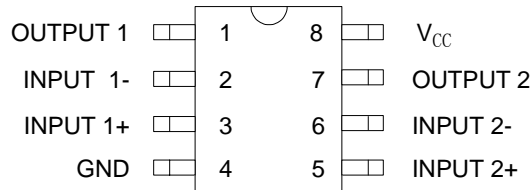


Figure 2. Pin Configuration of AZ358/358C (Top View)

**Functional Block Diagram**

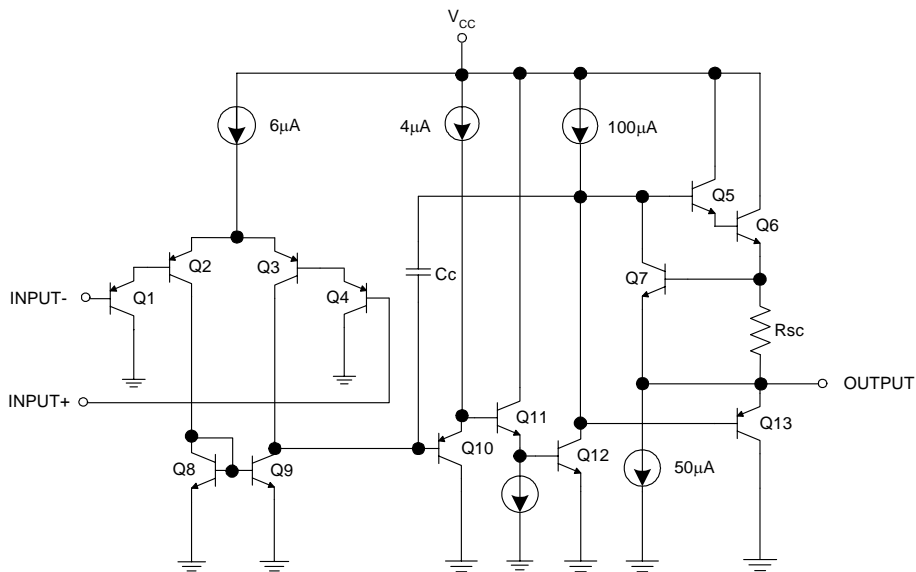


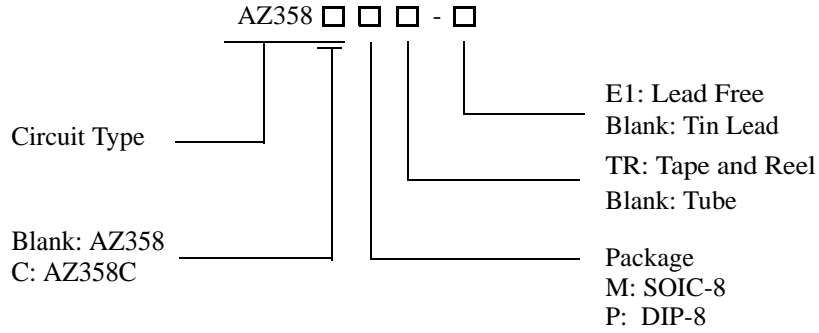
Figure 3. Functional Block Diagram of AZ358/358C (Each Amplifier)



**LOW POWER DUAL OPERATIONAL AMPLIFIERS**

**AZ358/358C**

**Ordering Information**



Package	Input Offset Voltage		Part Number		Marking ID		Packing Type
			Tin Lead	Lead Free	Tin Lead	Lead Free	
SOIC-8	Maximum Value	5mV	AZ358M	AZ358M-E1	AZ358M	AZ358M-E1	Tube
		5mV	AZ358MTR	AZ358MTR-E1	AZ358M	AZ358M-E1	Tape & Reel
		3mV	AZ358CM	AZ358CM-E1	358CM	358CM-E1	Tube
		3mV	AZ358CMTR	AZ358CMTR-E1	358CM	358CM-E1	Tape & Reel
DIP-8	Maximum Value	5mV	AZ358P	AZ358P-E1	AZ358P	AZ358P-E1	Tube
		3mV	AZ358CP	AZ358CP-E1	AZ358CP	AZ358CP-E1	Tube

BCD Semiconductor's Pb-free products, as designated with "E1" suffix in the part number, are RoHS compliant.

**LOW POWER DUAL OPERATIONAL AMPLIFIERS****AZ358/358C****Absolute Maximum Ratings (Note 1)**

Parameter	Symbol	Value		Unit
Power Supply Voltage	$V_{CC}$	20		V
Differential Input Voltage	$V_{ID}$	20		V
Input Voltage	$V_{IC}$	-0.3 to 20		V
Input Current ( $V_{IN} < -0.3V$ ) (Note 2)	$I_{IN}$	50		mA
Output Short Circuit to Ground (One Amplifier) (Note 3) $V_{CC} \leq 12V$ and $T_A = 25^\circ C$		Continuous		
Power Dissipation ( $T_A = 25^\circ C$ )	$P_D$	DIP-8	830	mW
		SOIC-8	550	
Operating Junction Temperature	$T_J$	150		$^\circ C$
Storage Temperature Range	$T_{STG}$	-65 to 150		$^\circ C$
Lead Temperature (Soldering, 10 Seconds)	$T_{LEAD}$	260		$^\circ C$

Note 1: Stresses greater than those listed under "Absolute Maximum Ratings" may cause permanent damage to the device. These are stress ratings only, and functional operation of the device under these conditions is not implied. Exposure to "Absolute Maximum Ratings" for extended periods may affect device reliability.

Note 2: This input current will only exist when the voltage at any of the input leads is driven negative. It is due to the collector-base junction of the input PNP transistors becoming forward biased and thereby acting as input diode clamps. In addition to this diode action, there is also lateral NPN parasitic transistor action on the IC chip. This transistor action can cause the output voltages of the op amps to go to the  $V_{CC}$  voltage level (or to ground for a large overdrive) for the time duration that an input is driven negative. This is not destructive and normal output states will re-establish when the input voltage, which was negative, again returns to a value greater than -0.3V (at  $25^\circ C$ )

Note 3: Short circuits from the output to  $V_{CC}$  can cause excessive heating and eventual destruction. When considering short circuits to ground, the maximum output current is approximately 40mA independent of the magnitude of  $V_{CC}$ . At values of supply voltage in excess of +12V, continuous short circuits can exceed the power dissipation ratings and cause eventual destruction. Destructive dissipation can result from simultaneous shorts on all amplifiers.

**Recommended Operating Conditions**

Parameter	Symbol	Min	Max	Unit
Supply Voltage	$V_{CC}$	3	18	V
Ambient Operating Temperature Range	$T_A$	-40	85	$^\circ C$



**LOW POWER DUAL OPERATIONAL AMPLIFIERS**

**AZ358/358C**

**Electrical Characteristics**

$V_{CC}=5V$ ,  $GND=0$ ,  $T_A=25^{\circ}C$  unless otherwise specified.

Parameter	Symbol	Test Conditions	Min	Typ	Max	Unit	
Input Offset Voltage	$V_{IO}$	$V_O=1.4V$ , $R_S=0\Omega$ , $V_{CC}=5V$ to $15V$	AZ358		2	5	mV
			AZ358C		2	3	
Input Bias Current (Note 4)	$I_{BIAS}$	$I_{IN+}$ or $I_{IN-}$ , $V_{CM}=0V$		20	200	nA	
Input Offset Current	$I_{IO}$	$I_{IN+}-I_{IN-}$ , $V_{CM}=0V$		5	50	nA	
Input Common Mode Voltage Range (Note 5)	$V_{IR}$	$V_{CC}=15V$	0		$V_{CC}-1.5$	V	
Supply Current	$I_{CC}$	$R_L=\infty$ , Over full temperature range on all OP Amps	$V_{CC}=15V$		0.7	1.5	mA
			$V_{CC}=5V$		0.5	1.2	
Large Signal Voltage Gain	$G_V$	$V_{CC}=15V$ , $R_L \geq 2K\Omega$ , $V_O=1V$ to $11V$	85	100		dB	
Common Mode Rejection Ratio	CMRR	$V_{CM}=0V$ to $(V_{CC}-1.5)V$	70	90		dB	
Power Supply Rejection Ration	PSRR	$V_{CC}=5V$ to $15V$	70	90		dB	
Channel Separation (Note 6)	CS	$f=1KHz$ to $20KHz$		-120		dB	
Output Current	Source	$I_{SOURCE}$	$V_{IN+}=1V$ , $V_{IN-}=0V$ , $V_{CC}=15V$ , $V_O=2V$	20	40		mA
	Sink	$I_{SINK}$	$V_{IN+}=0V$ , $V_{IN-}=1V$ , $V_{CC}=15V$ , $V_O=2V$	10	18		mA
			$V_{IN+}=0V$ , $V_{IN-}=1V$ , $V_{CC}=15V$ , $V_O=0.2V$	12	50		$\mu A$
Output Short Circuit to Ground	$I_{SC}$	$V_{CC}=15V$		40	60	mA	
Output Voltage Swing	$V_{OH}$	$V_{CC}=15V$ , $R_L=2K\Omega$	12			V	
		$V_{CC}=15V$ , $R_L=10K\Omega$	12.5	13.5			
	$V_{OL}$	$V_{CC}=5V$ , $R_L=10K\Omega$		5	20	mV	

Note 4: The direction of the input current is out of the IC due to the PNP input stage. This current is essentially constant, independent of the state of the output so no loading change exists on the input lines.

Note 5: The input common-mode voltage of either input signal voltage should not be allowed to go negatively by more than 0.3V (at 25°C). The upper end of the common-mode voltage range is  $V_{CC}-1.5V$  (at 25°C), but either or both inputs can go to +18V without damages, independent of the magnitude of the  $V_{CC}$ .

Note 6: Due to proximity of external components, insure that coupling is not originating via stray capacitors between these external parts. This typically can be detected as this type of capacitance increases at higher frequencies.



**LOW POWER DUAL OPERATIONAL AMPLIFIERS**

**AZ358/358C**

**Typical Performance Characteristics**

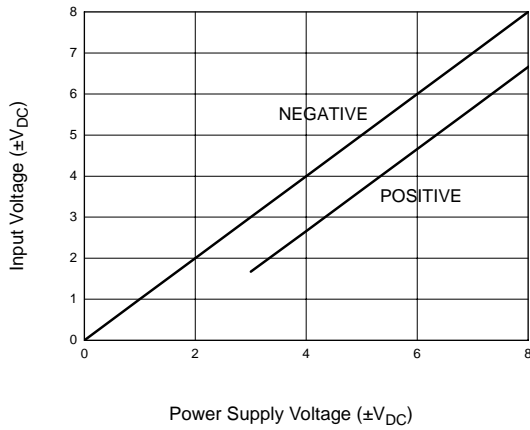


Figure 4. Input Voltage Range

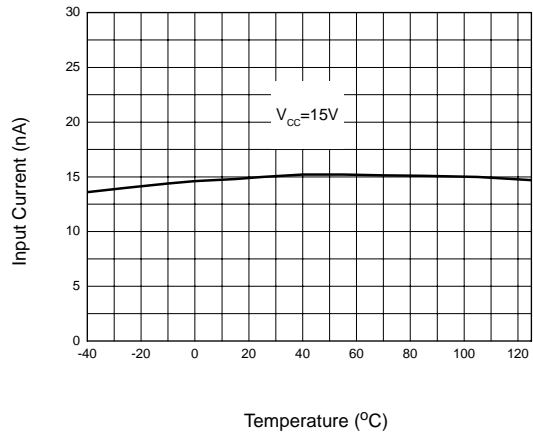


Figure 5. Input Current

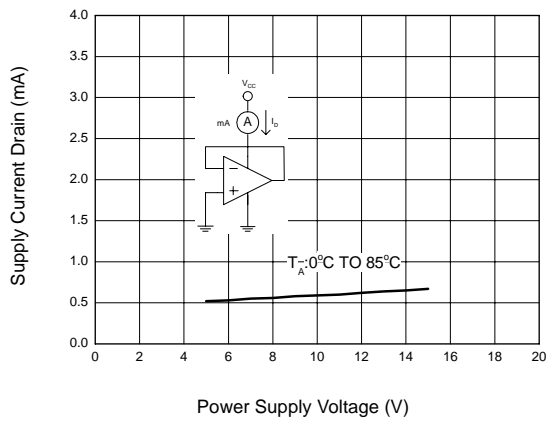


Figure 6. Supply Current

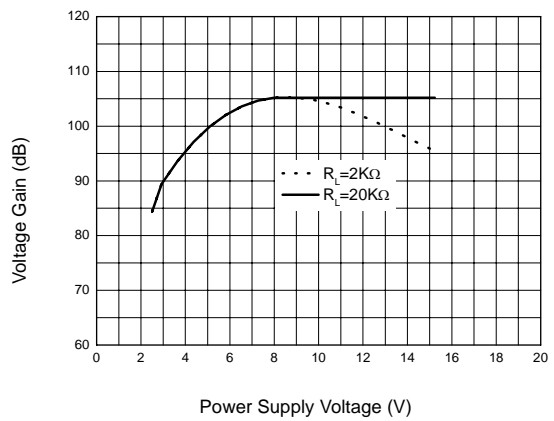


Figure 7. Voltage Gain



**LOW POWER DUAL OPERATIONAL AMPLIFIERS**

**AZ358/358C**

**Typical Performance Characteristics (Continued)**

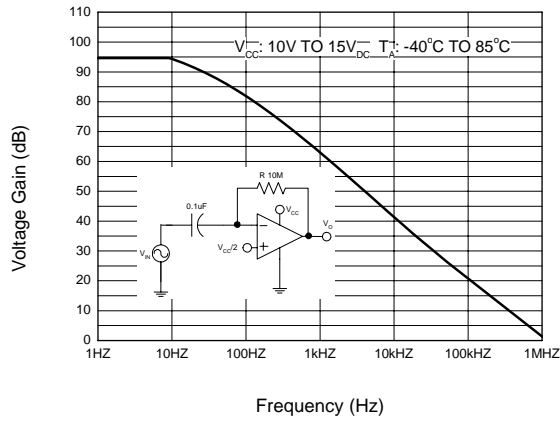


Figure 8. Open Loop Frequency Response

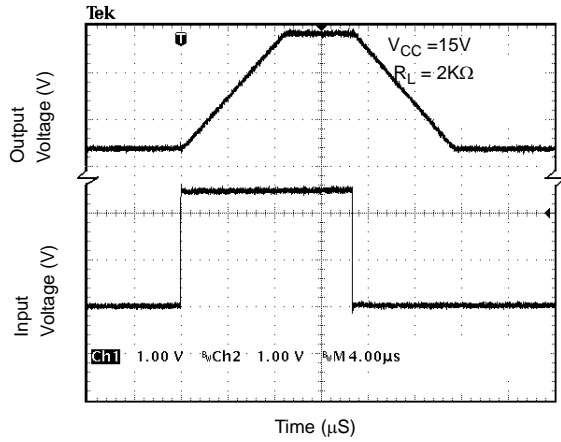


Figure 9. Voltage Follower Pulse Response

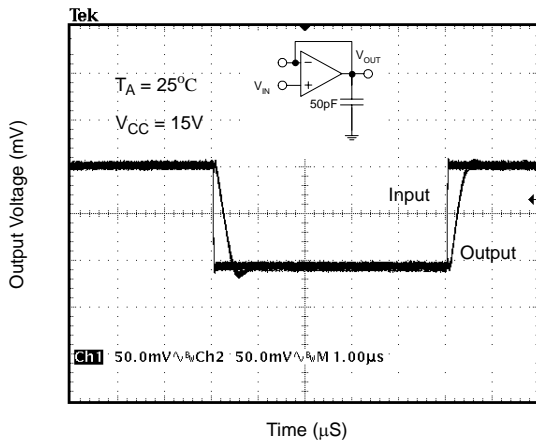


Figure 10. Voltage Follower Pulse Response (Small Signal)

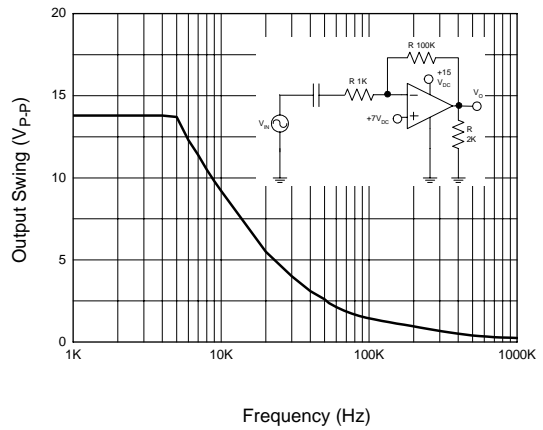


Figure 11. Large Signal Frequency Response



**LOW POWER DUAL OPERATIONAL AMPLIFIERS**

**AZ358/358C**

**Typical Performance Characteristics (Continued)**

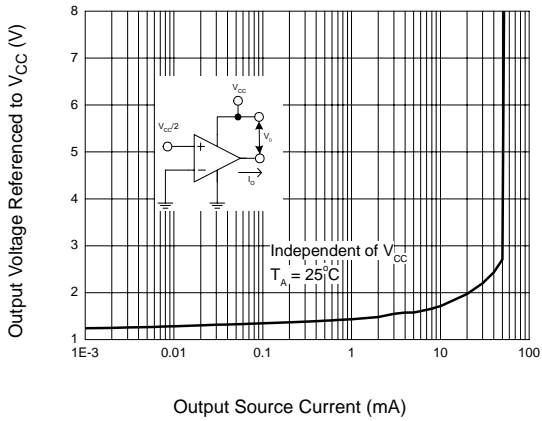


Figure 12. Output Characteristics Current Sourcing

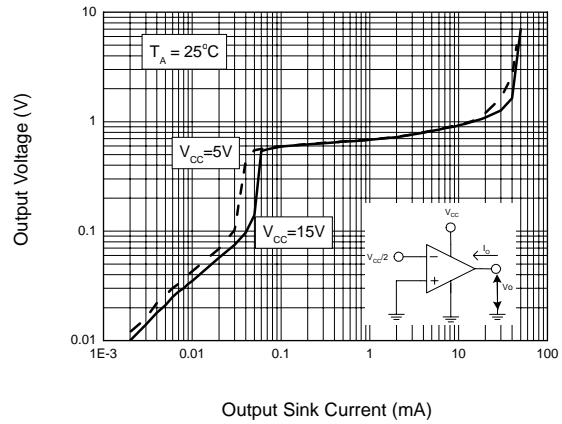


Figure 13. Output Characteristics Current Sinking

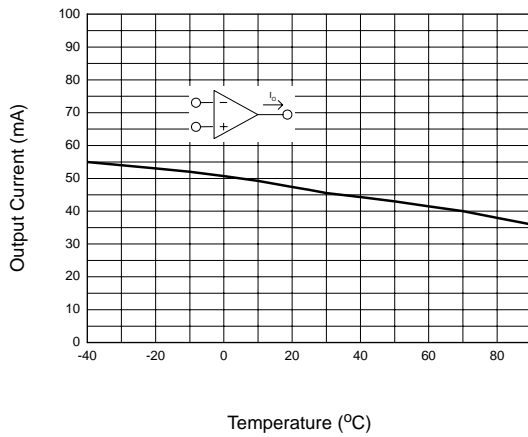


Figure 14. Current Limiting







**LOW POWER DUAL OPERATIONAL AMPLIFIERS**

**AZ358/358C**

**Typical Application (Continued)**

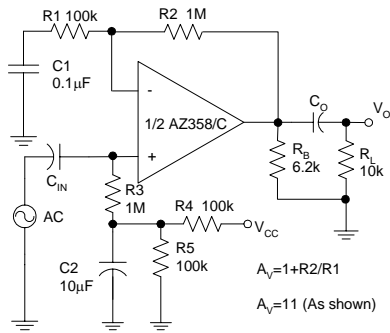


Figure 18. AC Coupled Non-Inverting Amplifier

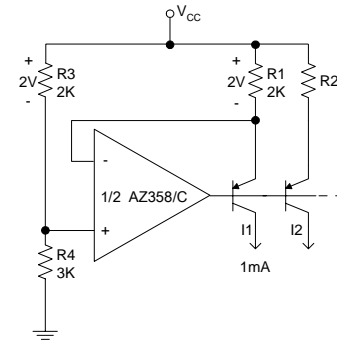


Figure 19. Fixed Current Sources

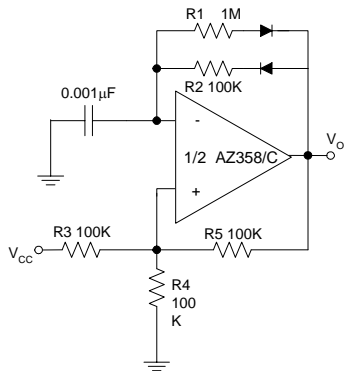


Figure 20. Pulse Generator

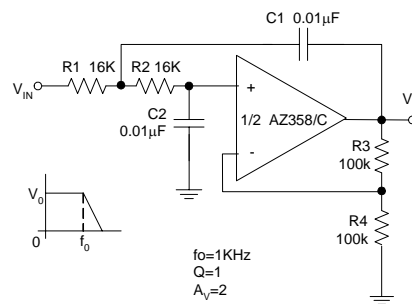


Figure 21. DC Coupled Low-Pass Active Filter



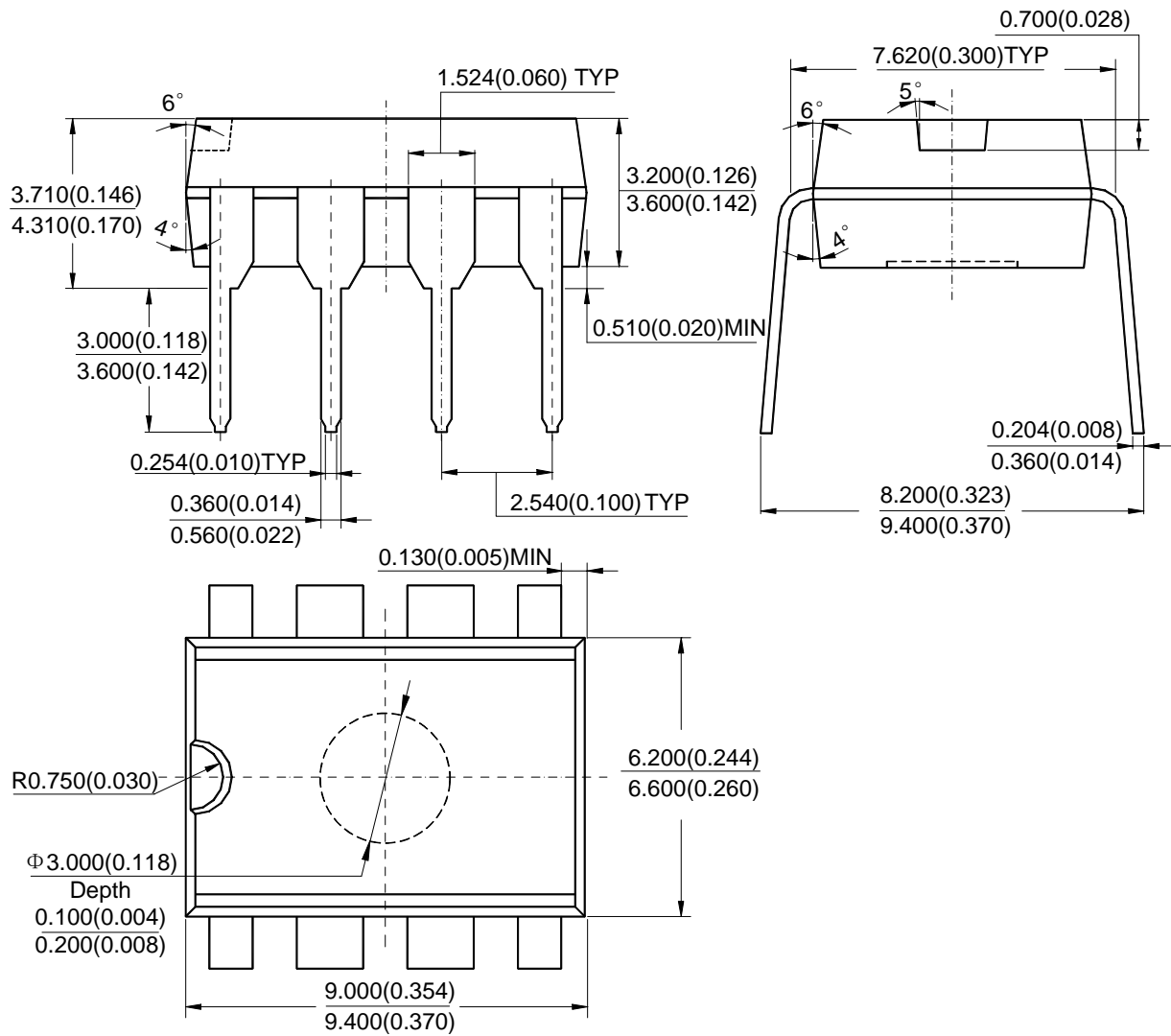
**LOW POWER DUAL OPERATIONAL AMPLIFIERS**

**AZ358/358C**

**Mechanical Dimensions**

**DIP-8**

**Unit: mm(inch)**





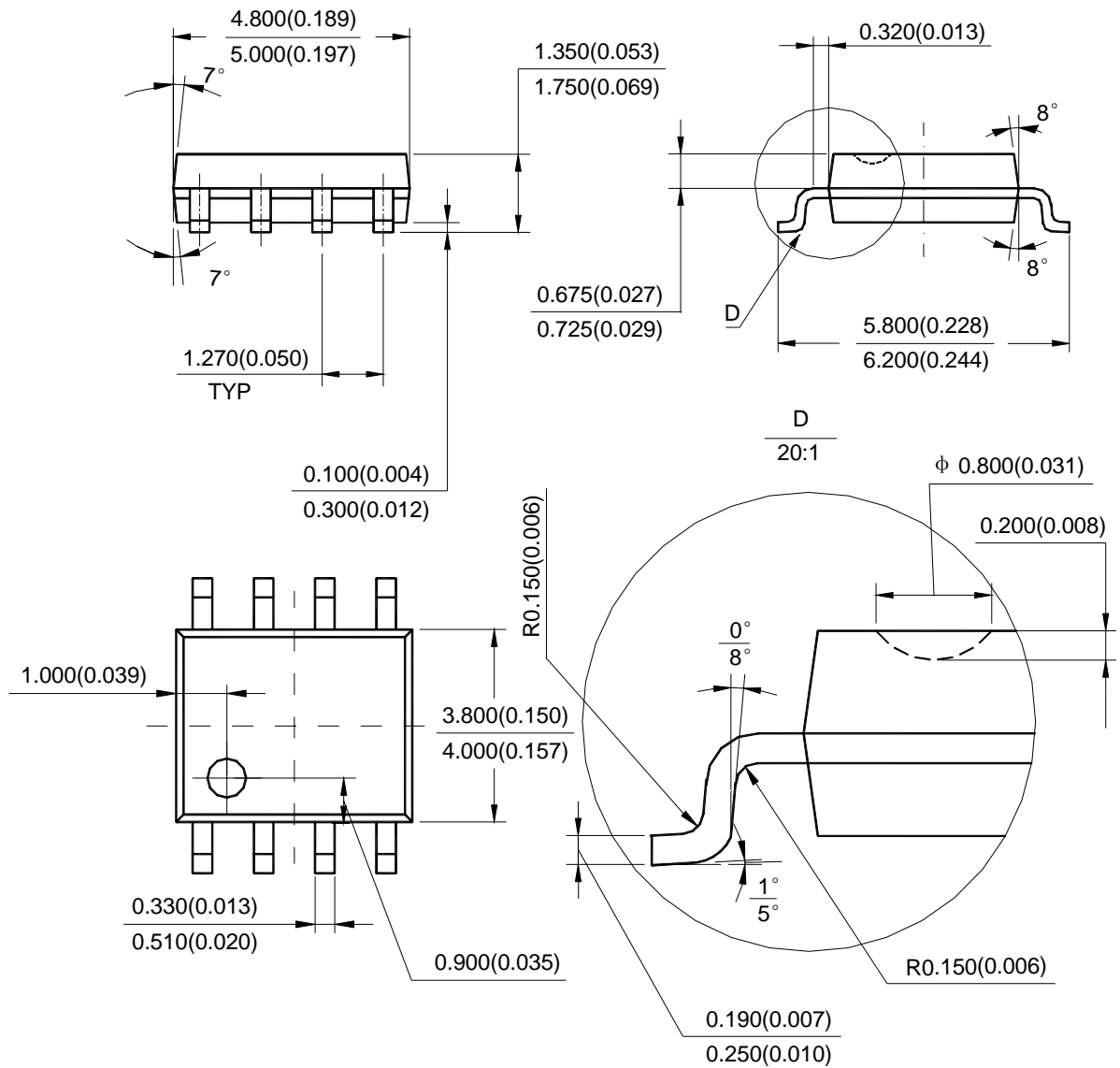
**LOW POWER DUAL OPERATIONAL AMPLIFIERS**

**AZ358/358C**

**Mechanical Dimensions (Continued)**

**SOIC-8**

**Unit: mm(inch)**





BCD Semiconductor Manufacturing Limited

<http://www.bcdsemi.com>

### IMPORTANT NOTICE

BCD Semiconductor Manufacturing Limited reserves the right to make changes without further notice to any products or specifications herein. BCD Semiconductor Manufacturing Limited does not assume any responsibility for use of any its products for any particular purpose, nor does BCD Semiconductor Manufacturing Limited assume any liability arising out of the application or use of any its products or circuits. BCD Semiconductor Manufacturing Limited does not convey any license under its patent rights or other rights nor the rights of others.

---

#### MAIN SITE

**BCD Semiconductor Manufacturing Limited**  
- Wafer Fab  
Shanghai SIM-BCD Semiconductor Manufacturing Limited  
800, Yi Shan Road, Shanghai 200233, China  
Tel: +86-21-6485 1491, Fax: +86-21-5450 0008

**BCD Semiconductor Manufacturing Limited**  
- IC Design Group  
Advanced Analog Circuits (Shanghai) Corporation  
8F, Zone B, 900, Yi Shan Road, Shanghai 200233, China  
Tel: +86-21-6495 9539, Fax: +86-21-6485 9673

#### REGIONAL SALES OFFICE

**Shenzhen Office**  
Shanghai SIM-BCD Semiconductor Manufacturing Co., Ltd. Shenzhen Office  
Advanced Analog Circuits (Shanghai) Corporation Shenzhen Office  
27B, Tower C, 2070, Middle Shen Nan Road, Shenzhen 518031, China  
Tel: +86-755-8368 3987, Fax: +86-755-8368 3166

**Taiwan Office**  
BCD Semiconductor (Taiwan) Company Limited  
4F, 298-1, Rui Guang Road, Nei-Hu District, Taipei,  
Taiwan  
Tel: +886-2-2656 2808, Fax: +886-2-2656 2806

**USA Office**  
BCD Semiconductor Corporation  
3170 De La Cruz Blvd., Suite 105, Santa Clara,  
CA 95054-2411, U.S.A  
Tel: +1-408-988 6388, Fax: +1-408-988 6386