

THIS DRAWING IS UNPUBLISHED.

RELEASED FOR PUBLICATION

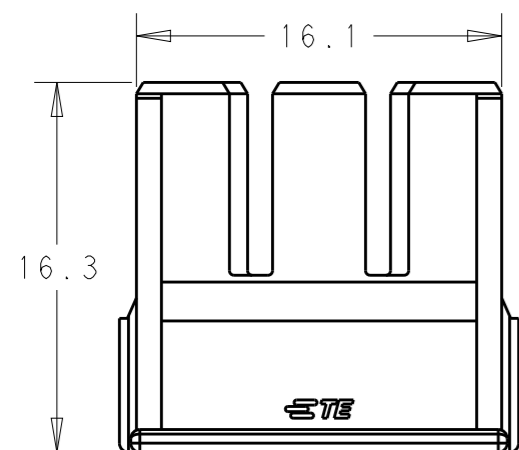
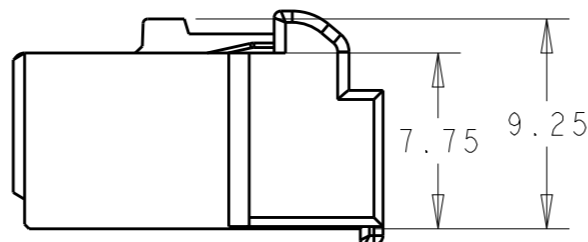
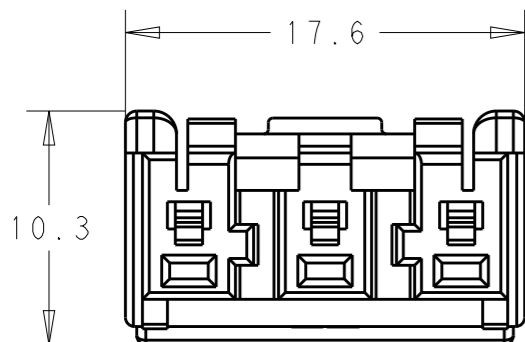
20

© COPYRIGHT 20 BY -

ALL RIGHTS RESERVED.

LOC	DIST	REVISIONS			
P	LTR	DESCRIPTION	DATE	DWN	APVD
-	-	A	FORMAL RELEASE	30JULY2015	A.Q D.Z

3-2232875-1 AS SHOWN



<p>TYPE A</p>	<p>TYPE B</p>
<p>TYPE C</p>	<p>TYPE D</p>

POSITON	P/N	KEYING TYPE	MATING REC P/N	MATING HEAD ASS P/N
2P	2-2232875-1	TYPE A	1376348 1376347	2-2232876-1
2P	2-2232875-2	TYPE B		2-2232876-2
2P	2-2232875-3	TYPE C		2-2232876-3
2P	2-2232875-4	TYPE D		2-2232876-4
3P	3-2232875-1	TYPE A		3-2232876-1
3P	3-2232875-2	TYPE B		3-2232876-2
3P	3-2232875-3	TYPE C		3-2232876-3
3P	3-2232875-4	TYPE D		3-2232876-4

NOTES:

1 NYLON UL94 V-0. COLOR: NATRUAL.

2 KEYING FEATURE SEE SHEET 1 TABLE 1 & SHEET 2 TABLE 3; P/N SEE SHEET 1 TABLE 2.

THIS DRAWING IS A CONTROLLED DOCUMENT.		DWN 30JUL2015 ANNIE QIAN	TE Connectivity	
DIMENSIONS: mm		CHK 30JUL2015 ANNIE QIAN		
TOLERANCES UNLESS OTHERWISE SPECIFIED:		APVD 30JUL2015 DANIEL ZHANG	NAME GRACE INERTIA CONNECTOR 6.0MM PITCH PLUG HOUSING FOR 2POS. AND 3POS.	
0 PLC ±- 1 PLC ±- 2 PLC ±0.13 3 PLC ±- 4 PLC ±- ANGLES ±1		PRODUCT SPEC 108-106193	SIZE A3	RESTRICTED TO -
MATERIAL		APPLICATION SPEC 114-5292	CAGE CODE -	DRAWING NO C-2232875
FINISH		WEIGHT -	SCALE N/A	SHEET 1 OF 2
1		CUSTOMER DRAWING	REV A	

4

3

2

1

THIS DRAWING IS UNPUBLISHED.

RELEASED FOR PUBLICATION

20

© COPYRIGHT 20

BY -

ALL RIGHTS RESERVED.

LOC DIST

REVISIONS

P	LTR	DESCRIPTION	DATE	DWN	APVD
-	-	SEE SHEET 1	-	-	-

2-2232875-1 AS SHOWN

TABLE 3

TYPE A		TYPE B	
1.5	1.5	1.5	1.5
3.3	3.3	3.3	3
			4.8
TYPE C		TYPE D	
4.8	4.8	4.8	1.5
3	3	3.3	3.3

NOTES:

1 NYLON UL94 V-0. COLOR: NATRUAL.

THIS DRAWING IS A CONTROLLED DOCUMENT.

DWN 30JUL2015

ANNIE QIAN

CHK 30JUL2015

ANNIE QIAN

APVD 30JUL2015

DANIEL ZHANG

PRODUCT SPEC

108-106193

APPLICATION SPEC

114-5292

WEIGHT

-

CUSTOMER DRAWING

TE Connectivity

NAME  
GRACE INERTIA CONNECTOR  
6.0MM PITCH PLUG HOUSING  
FOR 2POS. AND 3POS.

SIZE	CAGE CODE	DRAWING NO	RESTRICTED TO
------	-----------	------------	---------------

A3	-	©-2232875	-
----	---	-----------	---

SCALE	SHEET	OF	REV
-------	-------	----	-----

N/A	2	2	A
-----	---	---	---

DIMENSIONS:

mm

TOLERANCES UNLESS OTHERWISE SPECIFIED:

0 PLC	±-
1 PLC	±-
2 PLC	±0.13
3 PLC	±-
4 PLC	±-
ANGLES	±1

MATERIAL

FINISH

-

1470-19 (3/11)