






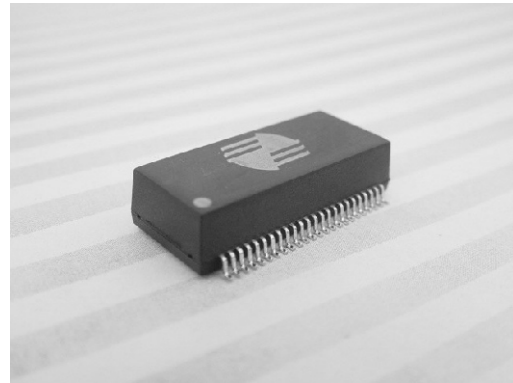


-  Compliant with IEEE802.3af specification including 350uH OCL with 8mA DC Bias
-  Designed for IP phone or IP switch applications
-  350mA balanced DC line current capability
-  Designed to withstand IR-Reflow with peak temperature per IPC/JEDEC J-STD-020C
-  Compact design for use in the most space-restrictive applications
-  Operating temperature 0°C to +70°C
-  RoHS compliant versions are available



ELECTRICAL SPECIFICATION @ 25°C

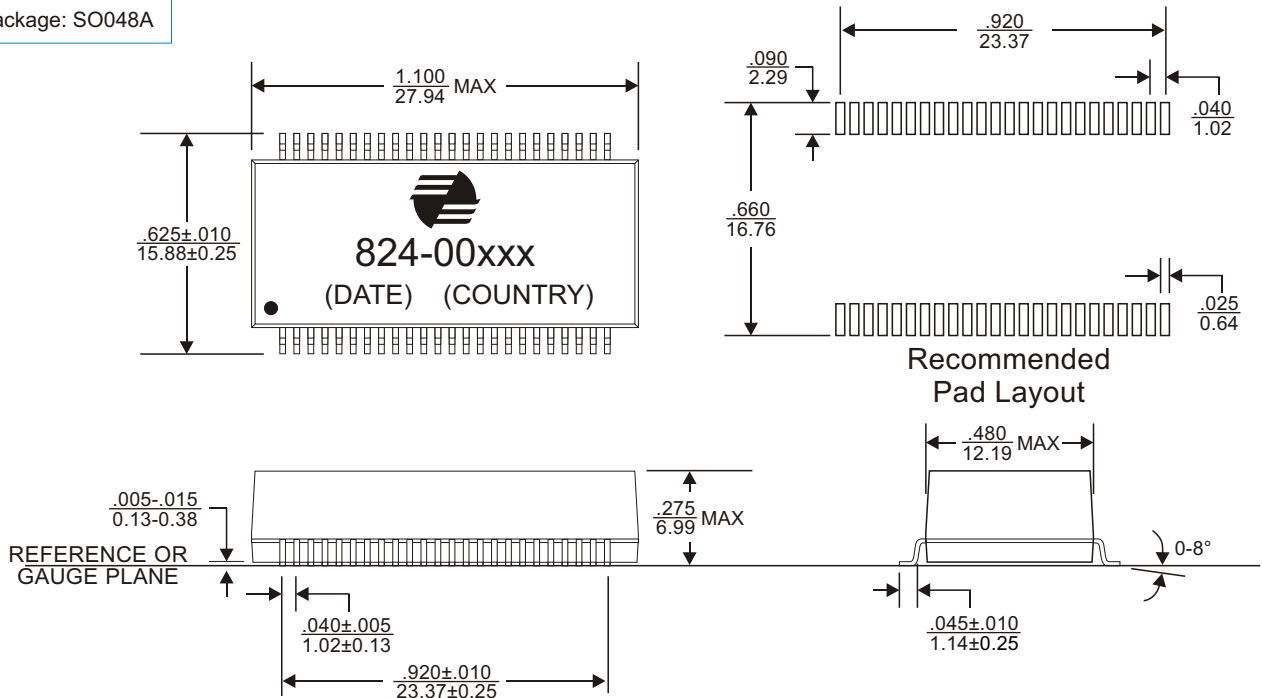
Part Number	Turns Ratio		Insertion Loss (dB Max)	Return Loss (dB Min)				CMRR (dB Min)	Crosstalk (dB Min)	Hipot (Vrms)
	Tx	Rx		.1-100MHz	1-30MHz	40MHz	50MHz			
824-00186F	1CT:1	1CT:1CT	1.2	16.0	14.0	13.0	12.0	35.0	35.0	1500
824-00222 ¹	1CT:1	1CT:1CT	1.2	16.0	14.0	13.0	12.0	35.0	33.0	1500
824-00283 ^{1,2}	1CT:1CT	1CT:1CT	1.2	16.0	14.0	13.0	12.0	33.0	33.0	1500

Notes:

1. For RoHS compliant version, Please contact EEMPL.
2. Suitable for Auto MDI/MDIX applications.

MECHANICAL DIMENSIONS

Package: SO048A



Notes:

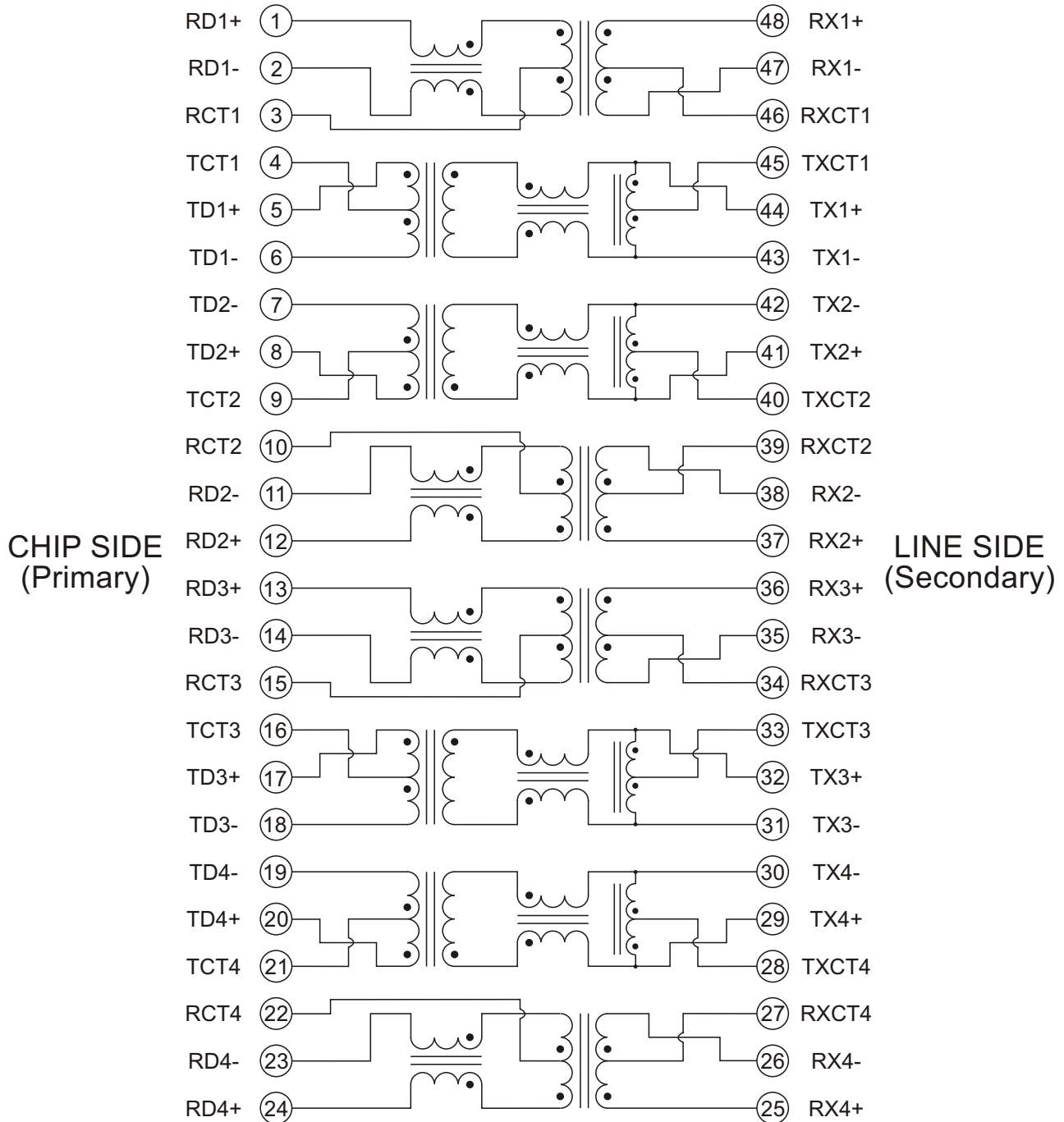
3. All dimensions are specified in $\frac{\text{inches}}{\text{mm}}$ with higher precedence in inches.
4. Unless otherwise specified, all tolerances are $\pm \frac{.010}{0.25}$.

Weight (in gram)	:	4.6 typ.
Tape & Reel	:	300 / reel



SCHMATICS

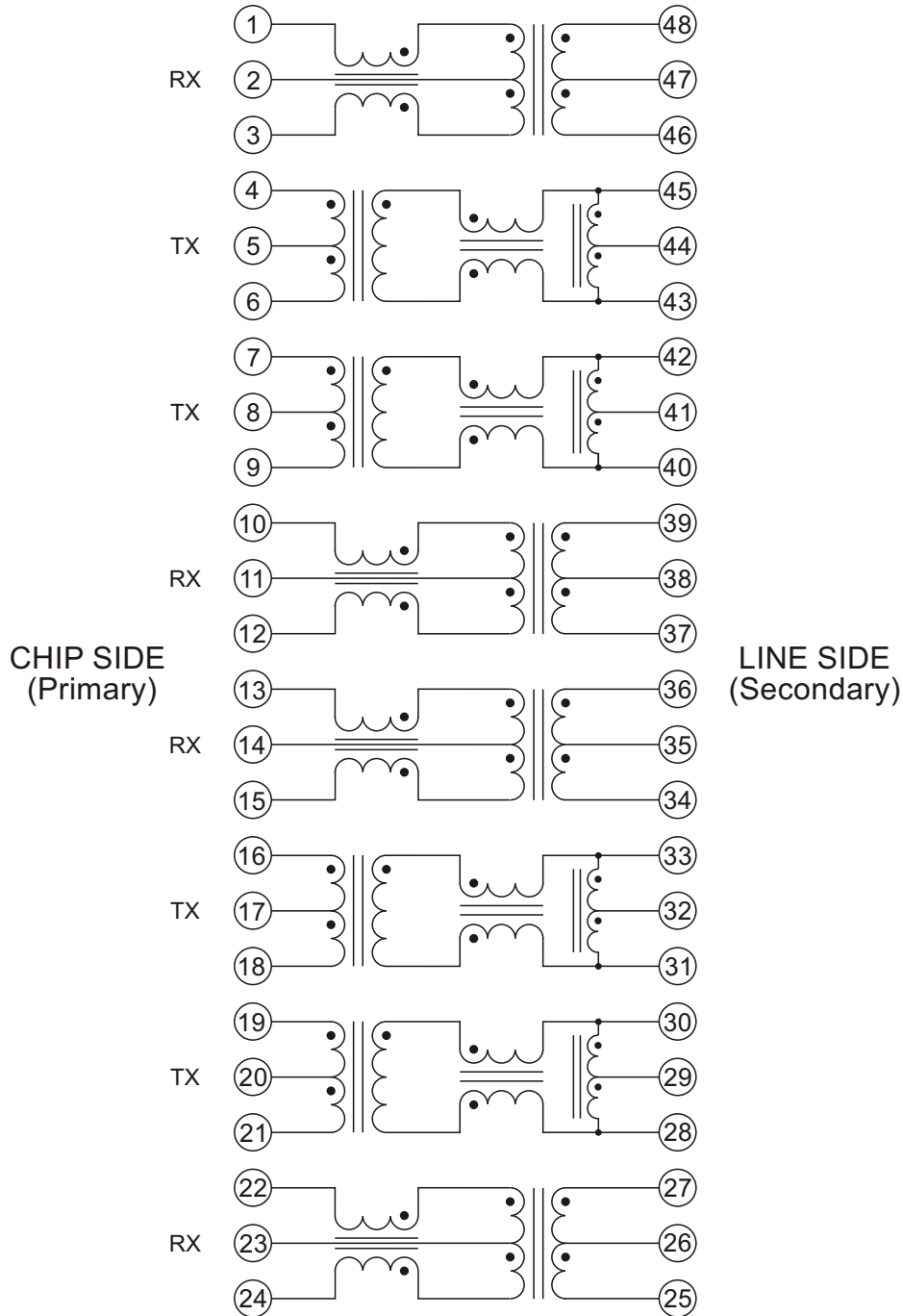
824-00186F





SCHMATICS

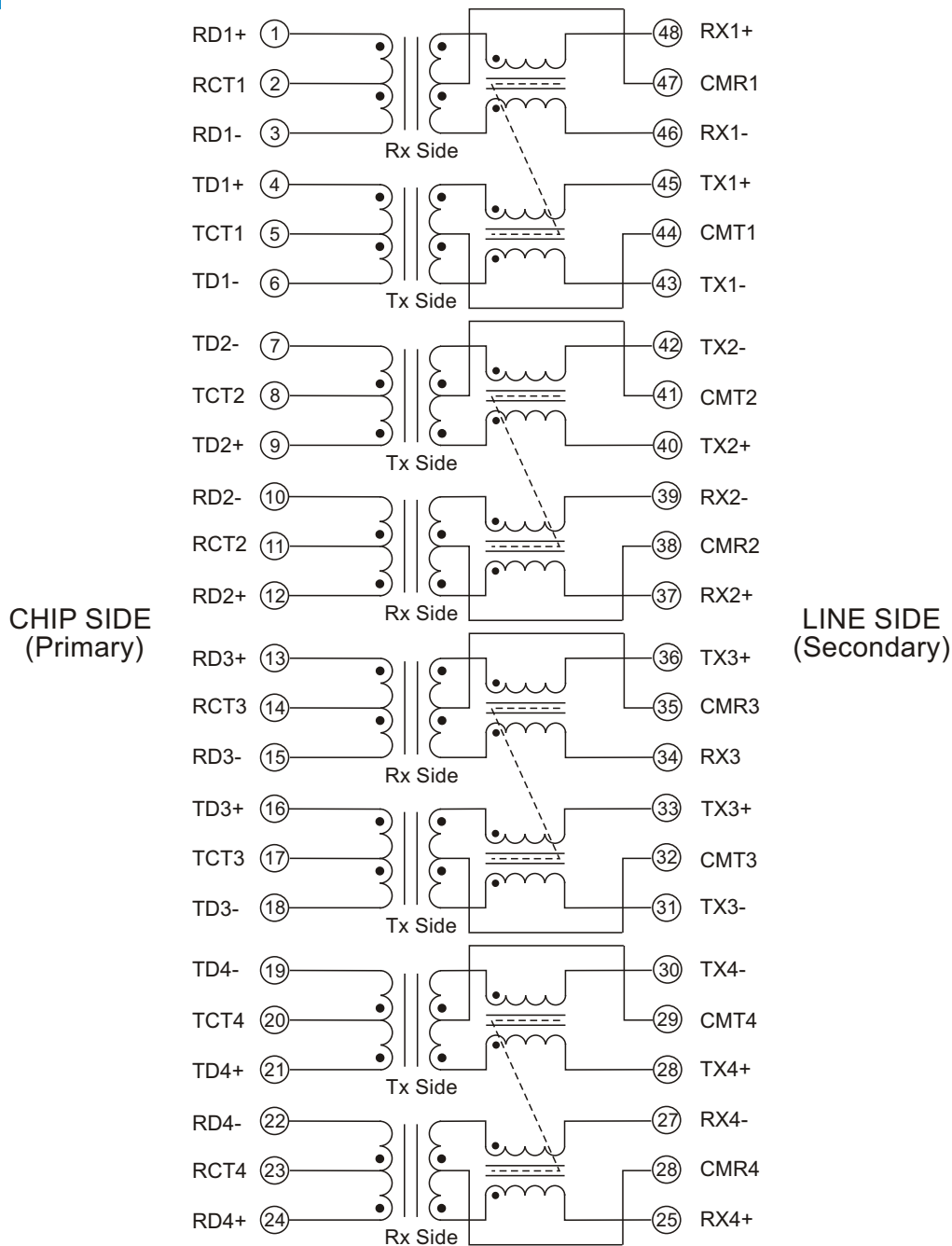
824-00222





SCHEMATICS

824-00283



FOR MORE INFORMATION, PLEASE CONTACT

HEADQUARTER
1/F., Harbour View 1, No.12 Science Park East Avenue,
Phase II, Hong Kong Science Park, Shatin, N.T.
Hong Kong
Tel: (852) 2954 3333 Fax: (852) 2954 3304
Email: eempl@eleceltek.com
Website: <http://www.eleceltek.com> / www.eemagnetic.com

Information herein is for reference only and subject to change without notice. It does not constitute any representation, warranty or commitment of the company in respect of the products in any aspect. All logos, brands and product names mentioned herein are trademarks or registered trademarks of their respective owners. The company does not assume any liability arising out of the application or use of any product or circuit described herein. Copyrights 2009, E & E Magnetic Products Limited.

1/F., Harbour View 1, No.12 Science Park East Avenue, Phase II, Hong Kong Science Park, Shatin, N.T. Hong Kong
Tel: (852) 2954 3333 • Fax: (852) 2954 3304