

PART NO.	MATERIAL	COLOR	FIGURE NO.
OFTGSP-1-05-19	NYLON 6/6 UL 94 V-0 (RMS-19)	NATURAL	1
OFTGSP-2-05-19	NYLON 6/6 UL 94 V-0 (RMS-19)	NATURAL	2
OFTGS-1-05-E901	ELASTOMER (RMS-98)	BLACK	3

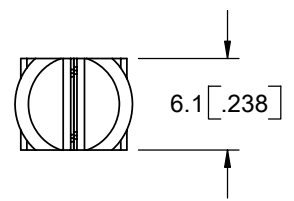
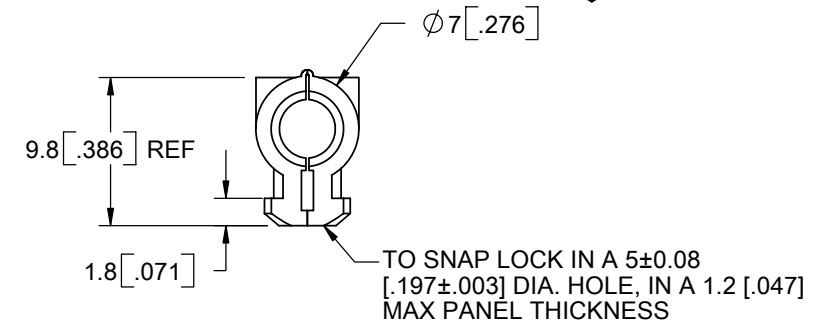
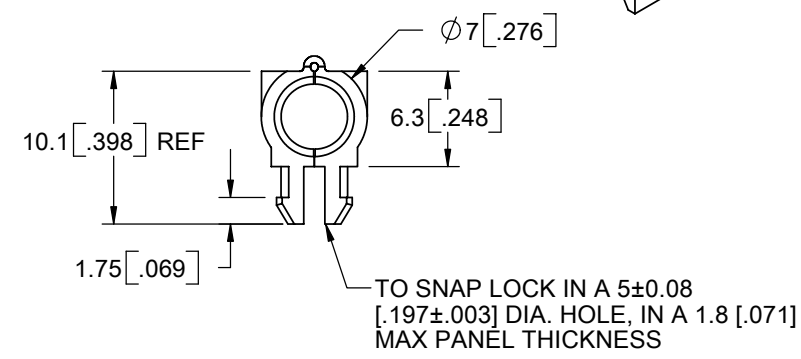
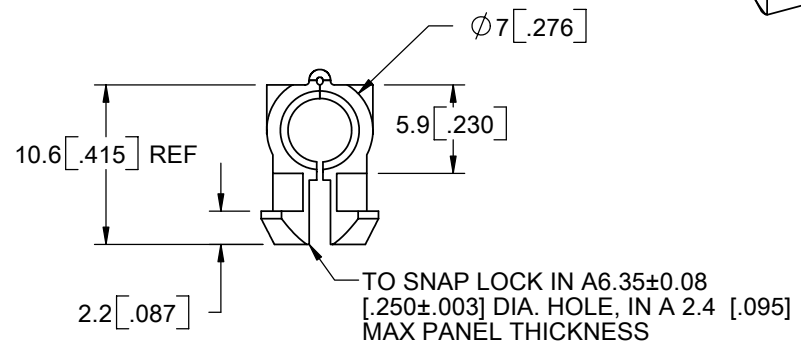


FIG 1

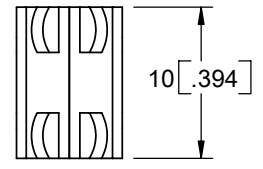


FIG 2

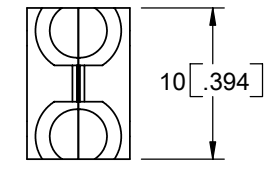
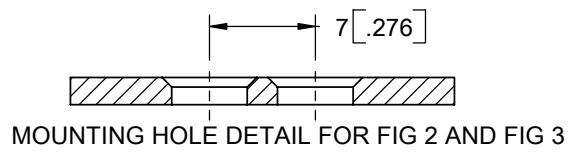
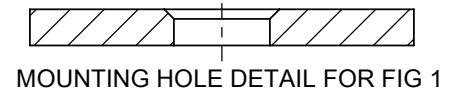


FIG 3



REV.	DESCRIPTION	ENGR.	DATE
A	NEW DRAWING, SEE ECN # 1184 FOR CHANGES	SK	06/22/06
-	SEE HISTORY FILE FOR REVISION LEVELS ON OLD DRAWING	----	----

TITLE: OPTICAL FIBER TUBE GRIPPER SADDLE				DWG IN IN [MM]		FINAL	
CREATED USING SOLIDWORKS	FILE #: OFTGS(P)	DWN: SK	APP: SK	PART #			
TOLERANCES UNLESS NOTED 0-10=±0.25 10.01-30=±0.3 30.01-50=±0.5 ANG.=±1°	SHEET: 1 OF 1	SHEET SIZE: B	DT: 06/19/06	CHKD: DZ	SEE TABLE		PRINT TYPE
RE: RICHCO, INC.		RICHCO, INC. ENG@RICHCO-INC.COM (773) 539-4060				CA	