

P.C.B. LAND DIMENSION



GT-TC063X-HXXX-LX

G-SWITCH
Switch P/N: TC063

Operating Force

- A=160gf
- B=250gf
- C=100gf
- D=350gf
- E=130gf
- F=70gf

Switch Height (mm)

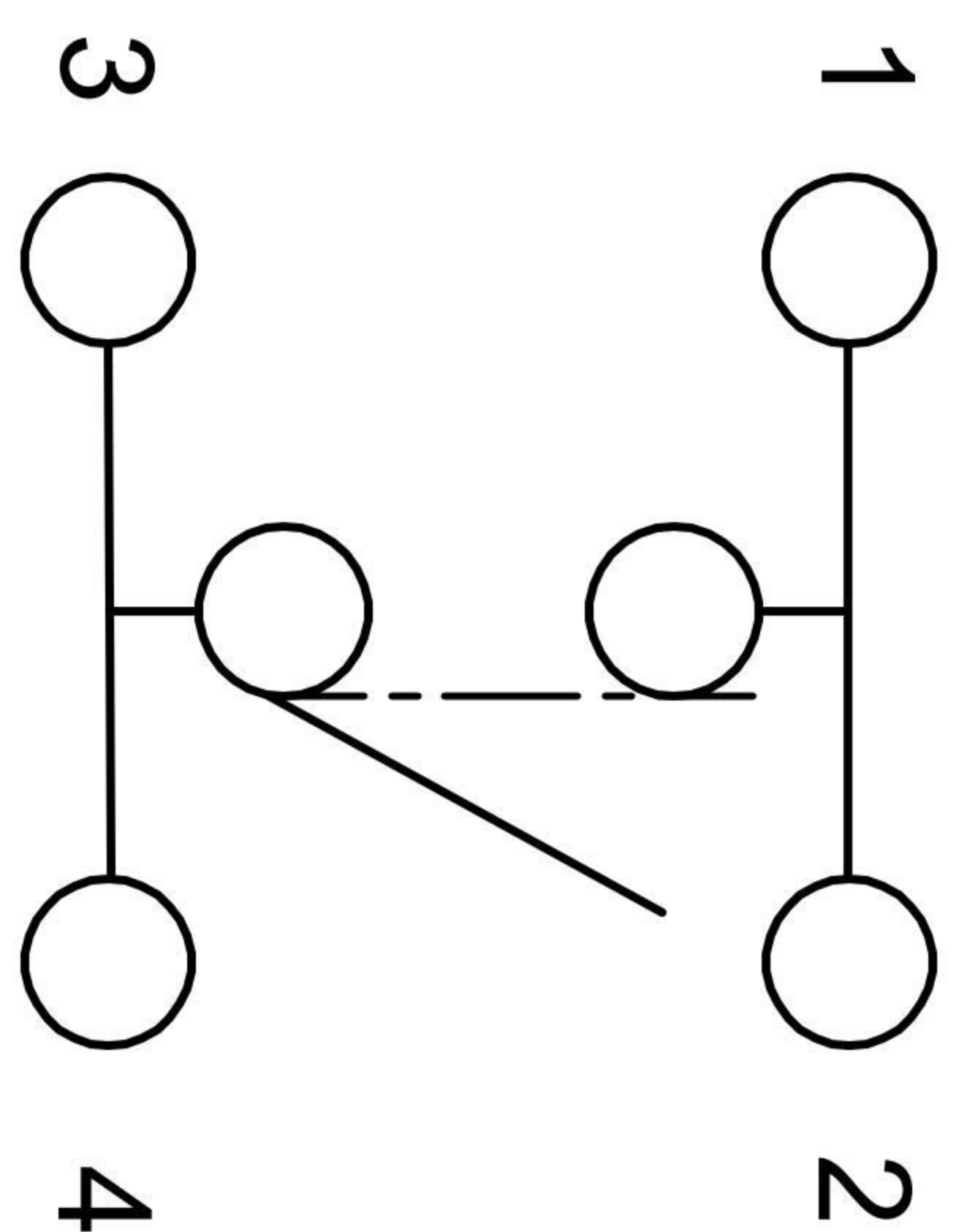
- H020=2.0
- H025=2.5
- H031=3.1

Switch lifetime (Force)

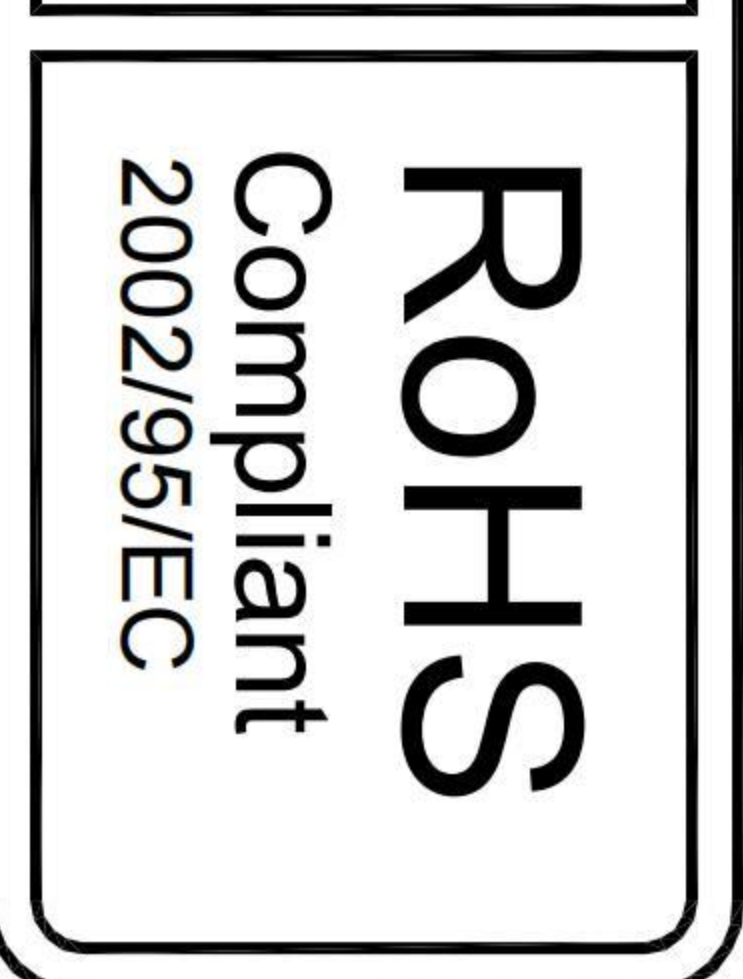
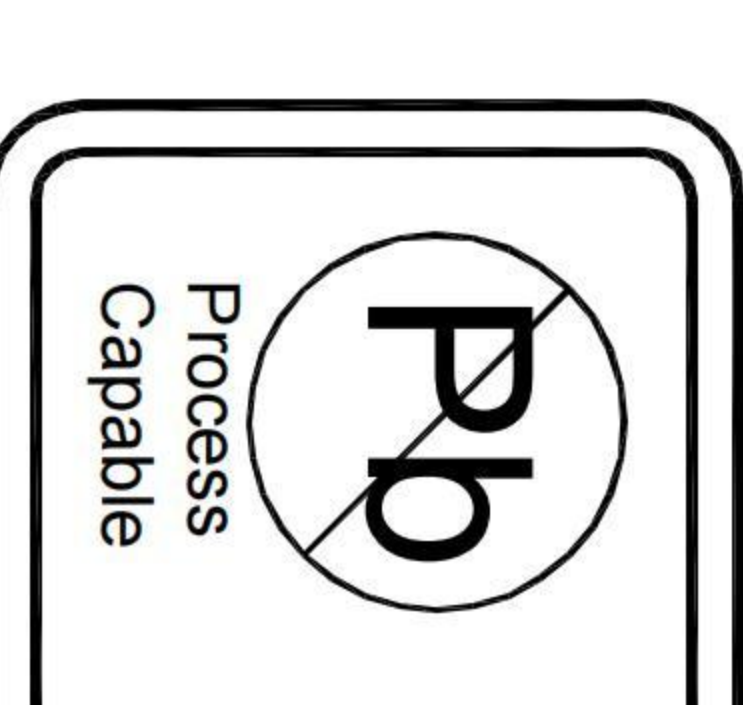
- L1=100,000 Cycles(B, D)
- L10=1,000,000 Cycles(A, E)
- L30=3,000,000 Cycles(C, E, F)

G-Switch Specification:

Operating temperature range: -40°Cto+85°C
 Rating: 50mA,12V DC
 Insulation resistance: 100MΩ min.,100V DC
 Dielectric strength: 250V AC for 1 min
 Contact resistance: 100m Ω max.
 Travel:0.2-0.25±0.1mm



CIRCUIT



G-Switch Electronic (HongKong) CO.,Ltd.

Unless otherwise specified, Tolerance:
 X: ±0.30
 X.X: ±0.20
 X.XX: ±0.15
 X.XXX: ±0.10
 Angles: ±3°

DESIGN L1 Qingqi	DATE 2022.06.20	MoIde code:			
CHECKED	DATE	GT-TC063X-HXXX-LX	REV.: X1	SCALE: 4:1	UNIT: mm
APPROVED	DATE		SIZE: A4	SHEET: 1/1	
http://www.dg-switch.com		TEL:0769-82388879			

A B C D E

5

4

3

2

1

5

4

3

2

1