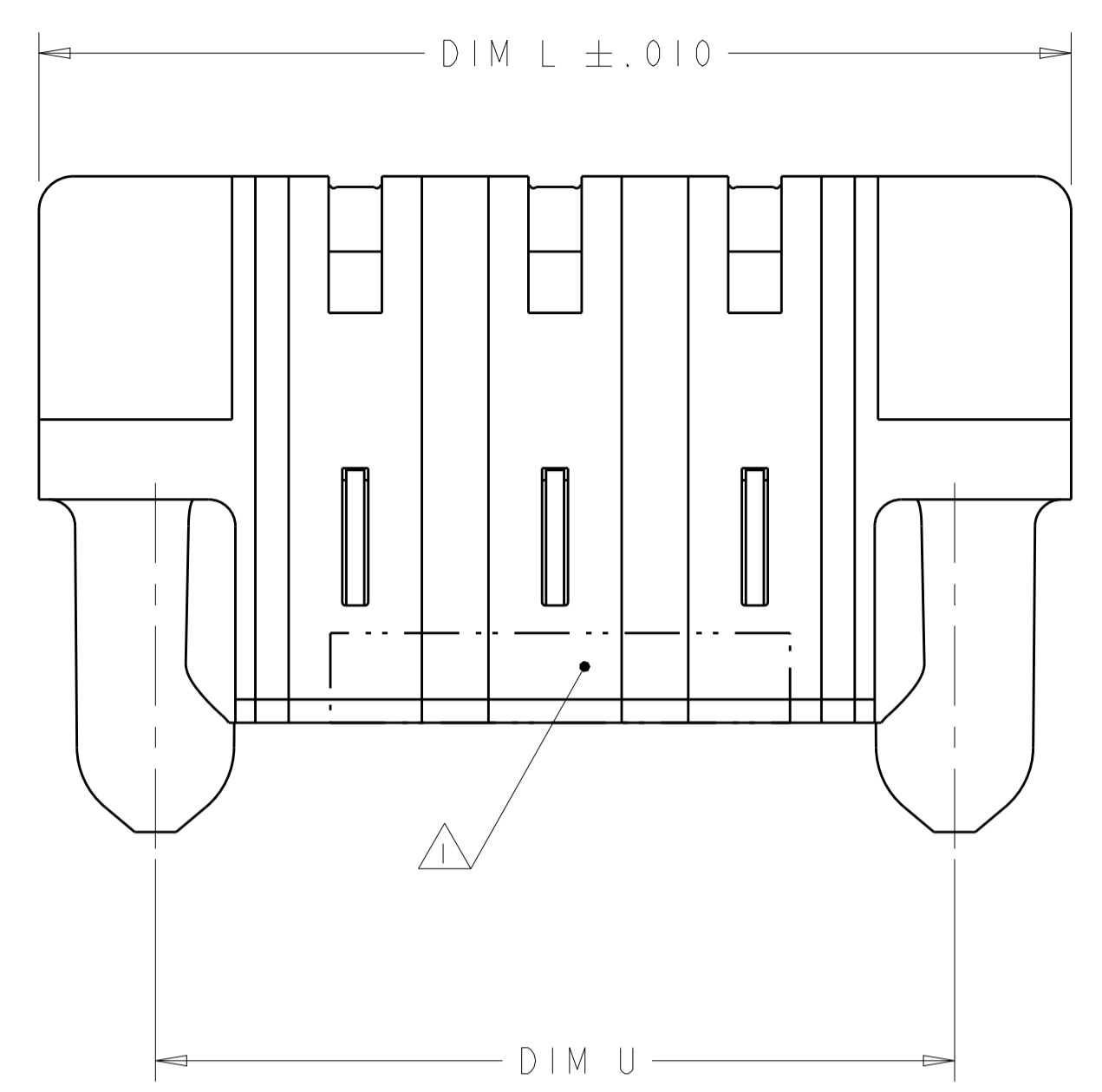
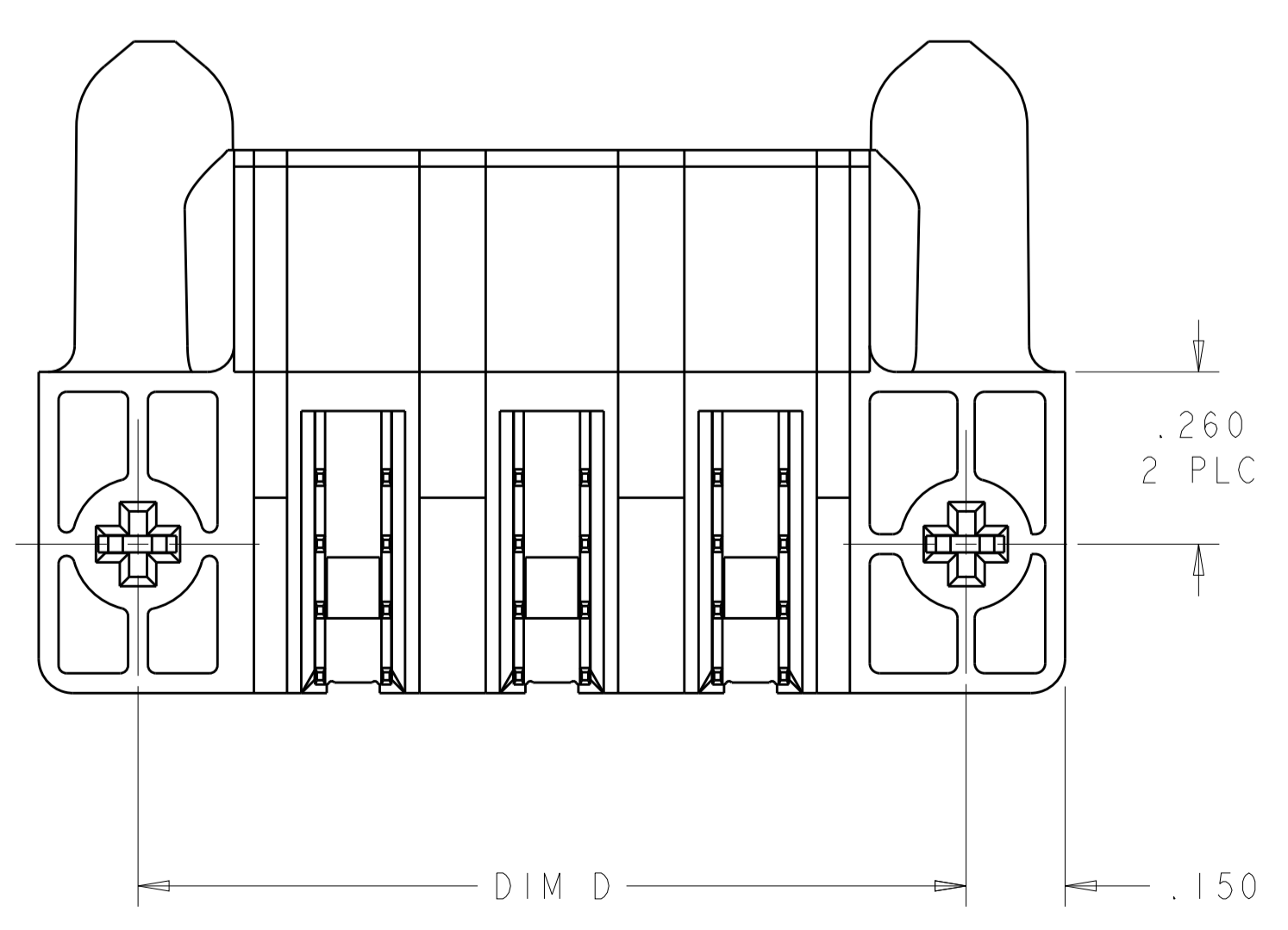
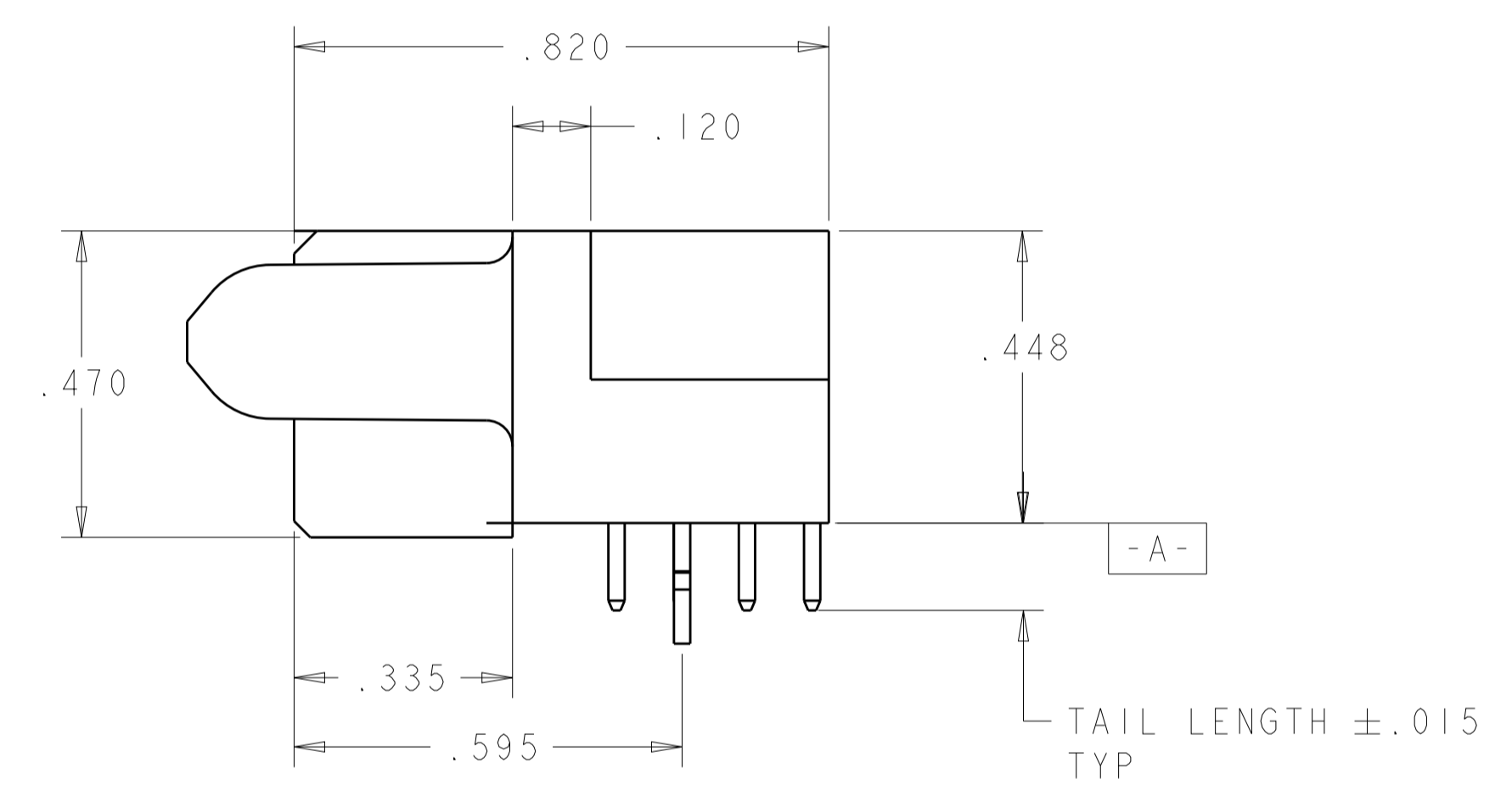
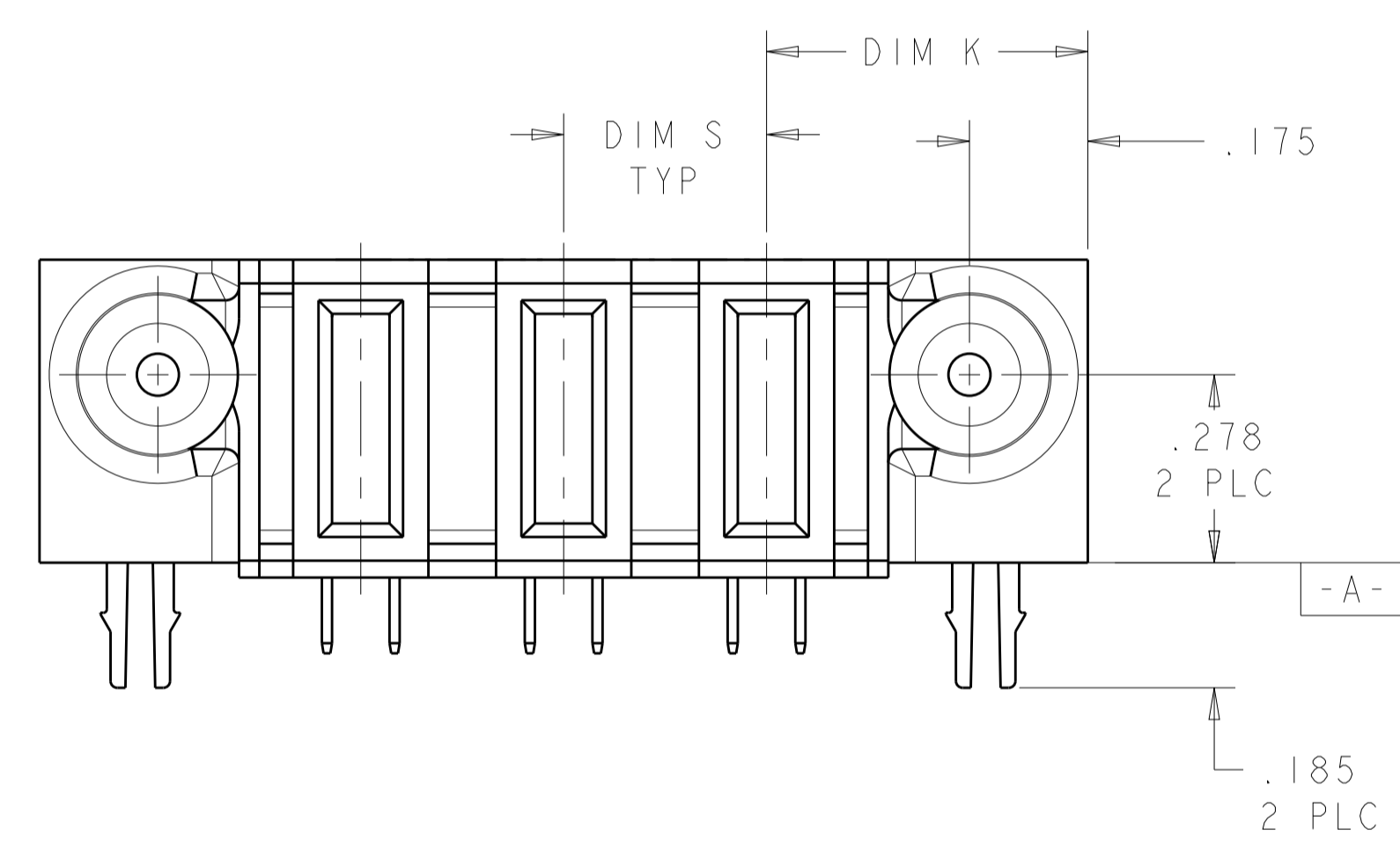


LOC		DIST		REVISIONS			
P	LTN	DESCRIPTION		DATE	DMN	APVD	
B2		ADD NEW DASH NUMBER -3		08APR2013	CZ	SZ	



- △ "AMP", PART NUMBER, AND DATE CODE TO BE MARKED IN AREA SHOWN. PARTS UNDER 2.000 MAY BE MARKED ON BOTH SIDES.
- △ MATERIAL: HOUSING - GLASS FILLED HIGH TEMP THERMO PLASTIC, UL94 V-0. POWER CONTACT -HIGH CONDUCTIVITY COPPER ALLOY.
- △ CONTACT PLATING: NOBLE METAL PLATING ON CONTACT FUNCTIONAL AREA OF POWER AND SIGNAL CONTACTS
- △ MECHANICAL CONNECTOR KEEP OUT ZONE.
- △ DATUM AND BASIC DIMENSIONS ESTABLISHED BY CUSTOMER.
- △ PCB - ALL HOLE DIAMETERS ARE FINISHED HOLE SIZES.
- △ PCB - .0453±.0010 DRILLED HOLES WITH .0003 MIN Sn OVER .001 TO .003 Cu PLATING TO ACHIEVE A .040±.003 DIA HOLE.



B3	1.150	.300	1.200	1.500	.450	3ACP	6450173-3
	1.550	.250	1.600	1.900	.450	5P	6450173-2
	1.200	.300	1.250	1.550	.475	3ACP	6450173-1
	DIM U	DIM S	DIM D	DIM L	DIM K	DESCRIPTION	PART NUMBER

THIS DRAWING IS A CONTROLLED DOCUMENT. DWN: R. GRZYBOWSKI, 22FEB05  
 CHK: M. PERCHERKE, 22FEB05

**STE** TE Connectivity

NAME: RIGHT ANGLE RECEPTACLE ASSEMBLY WITH GUIDES MULTI-BEAM XL

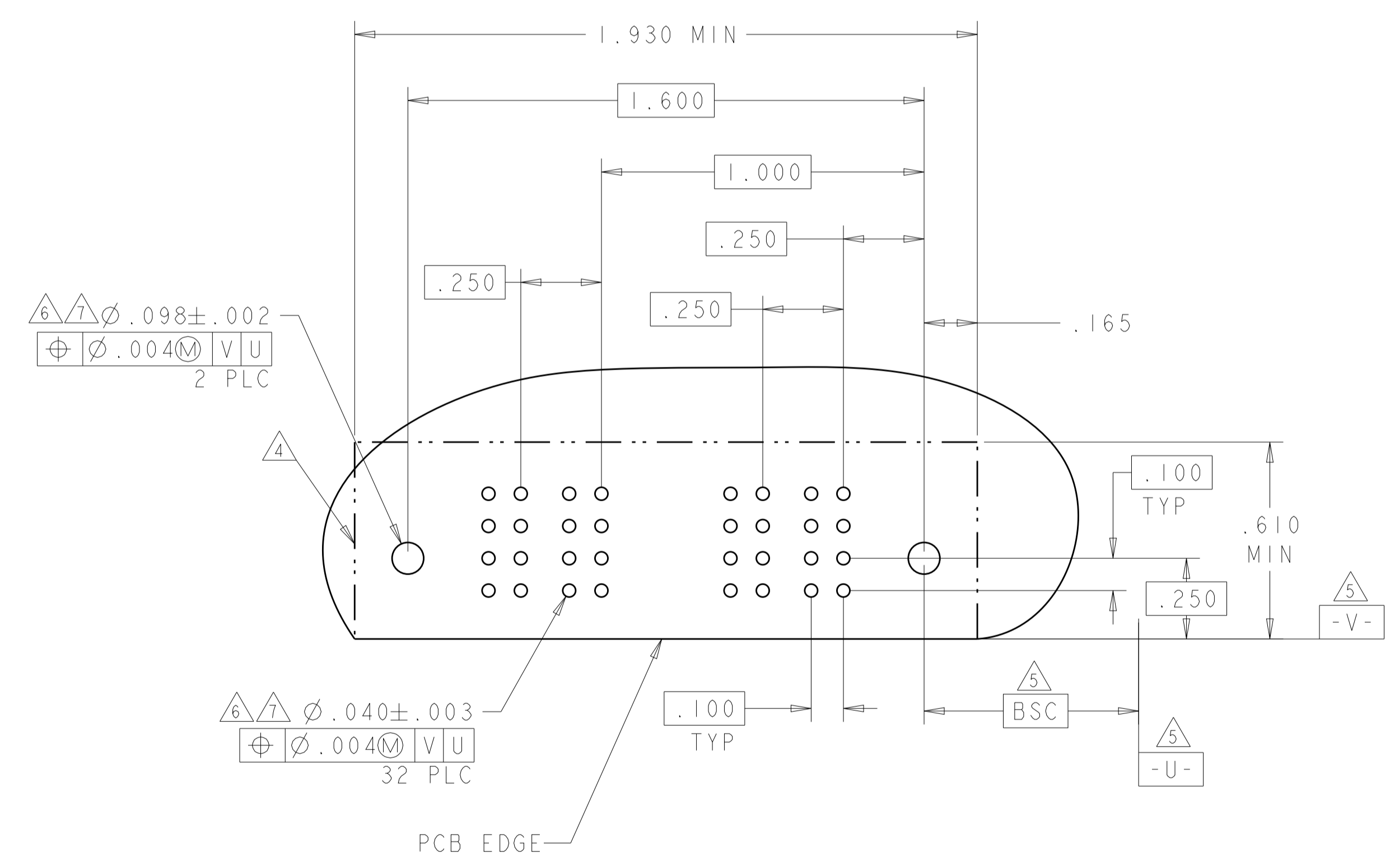
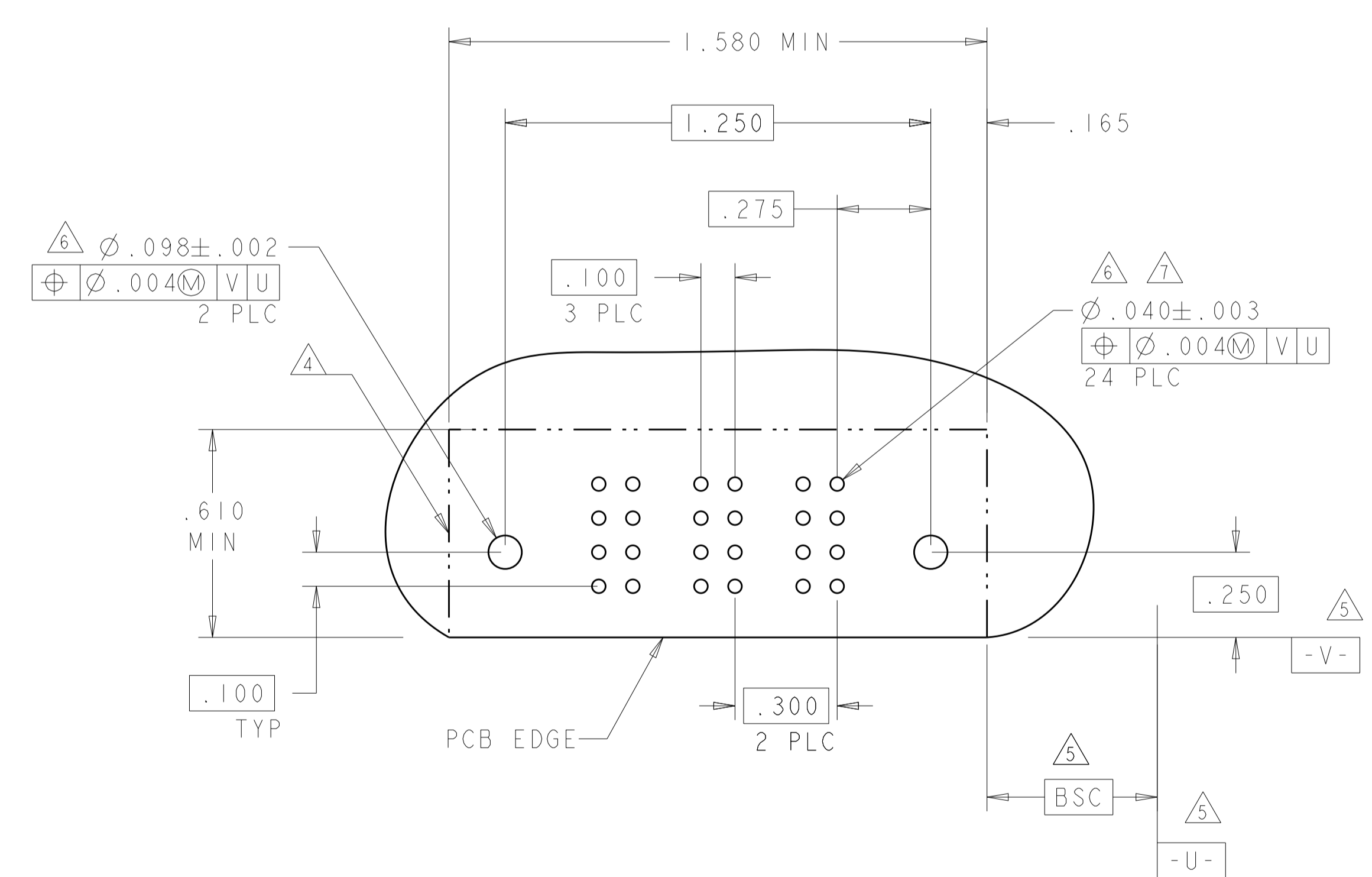
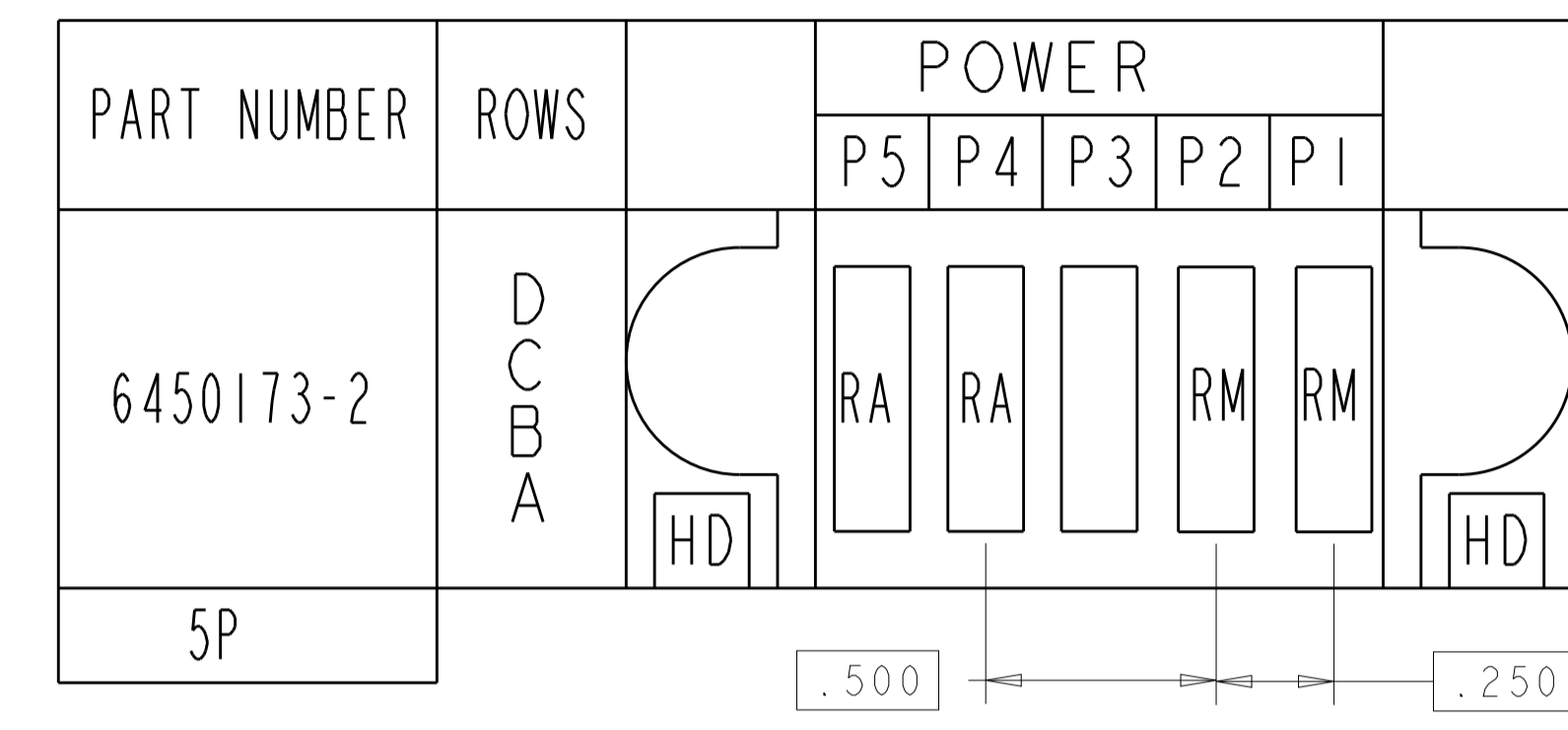
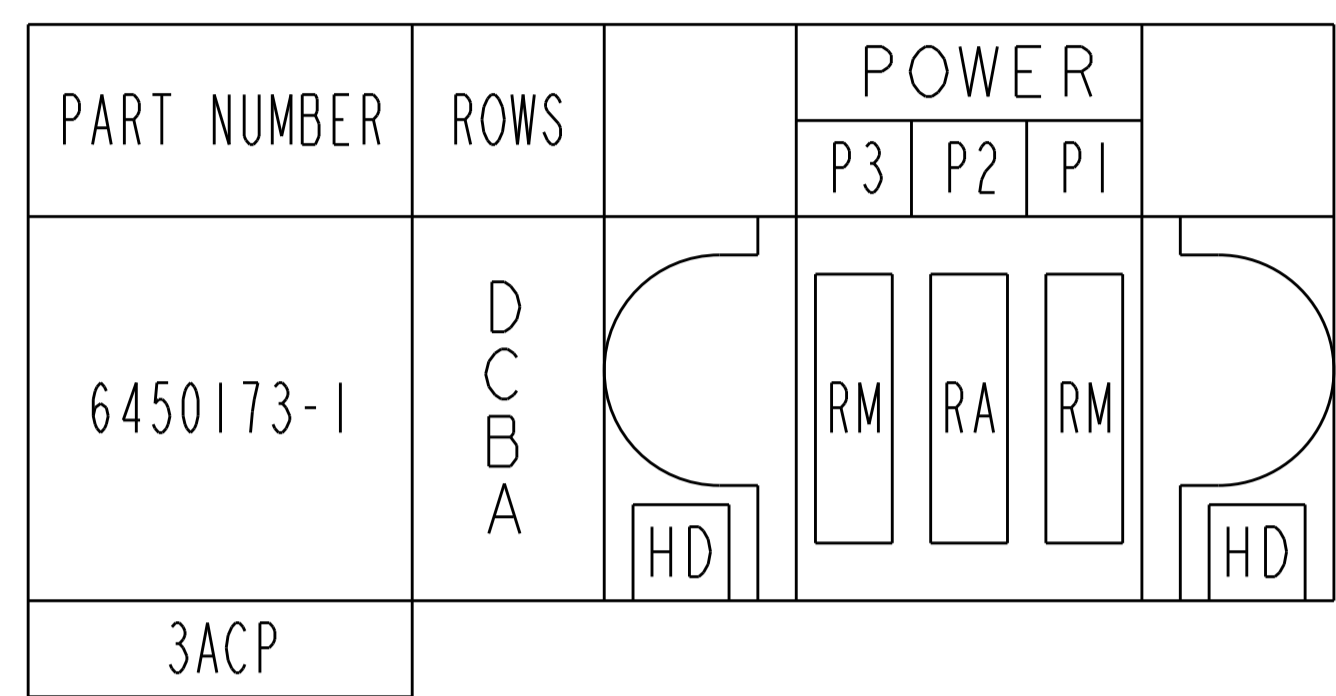
PRODUCT SPEC: 108-1973  
 APPLICATION SPEC: 114-13038

SIZE: A1  
 CAGE CODE: 00779  
 DRAWING NO: 6450173

MATERIAL: 2  
 FINISH: 3

CUSTOMER DRAWING SCALE: 4:1 SHEET 1 OF 3 REV: B3

LOC		DIST		REVISIONS			
P	LTN	DESCRIPTION	DATE	DMN	APVD		
-	-	SEE SHEET 1	-	-	-	-	-



RB	.090	MFBL
RN	.090	STD
RA	.135	MFBL
RM	.135	STD
CODE	TAIL LENGTH	DESCRIPTION
POWER CONTACT		

THIS DRAWING IS A CONTROLLED DOCUMENT.

DIMENSIONS:	TOLERANCES UNLESS OTHERWISE SPECIFIED:	DMN: R. GRZYBOWSKI 22FEB05	CHK: M. PERCHERKE 22FEB05
INCHES	0 PLC ± .01	APVD: M. PERCHERKE	NAME: M. PERCHERKE
	1 PLC ± .01	PRODUCT SPEC: 108-1973	
	2 PLC ± .01	APPLICATION SPEC: 114-13038	
	3 PLC ± .005	WEIGHT: -	
	4 PLC ± .002	CUSTOMER DRAWING	
	ANGLES ± .020	SCALE: 4:1	
MATERIAL: -	FINISH: -	SHEET: 2 OF 3	REV: B3

STE TE Connectivity

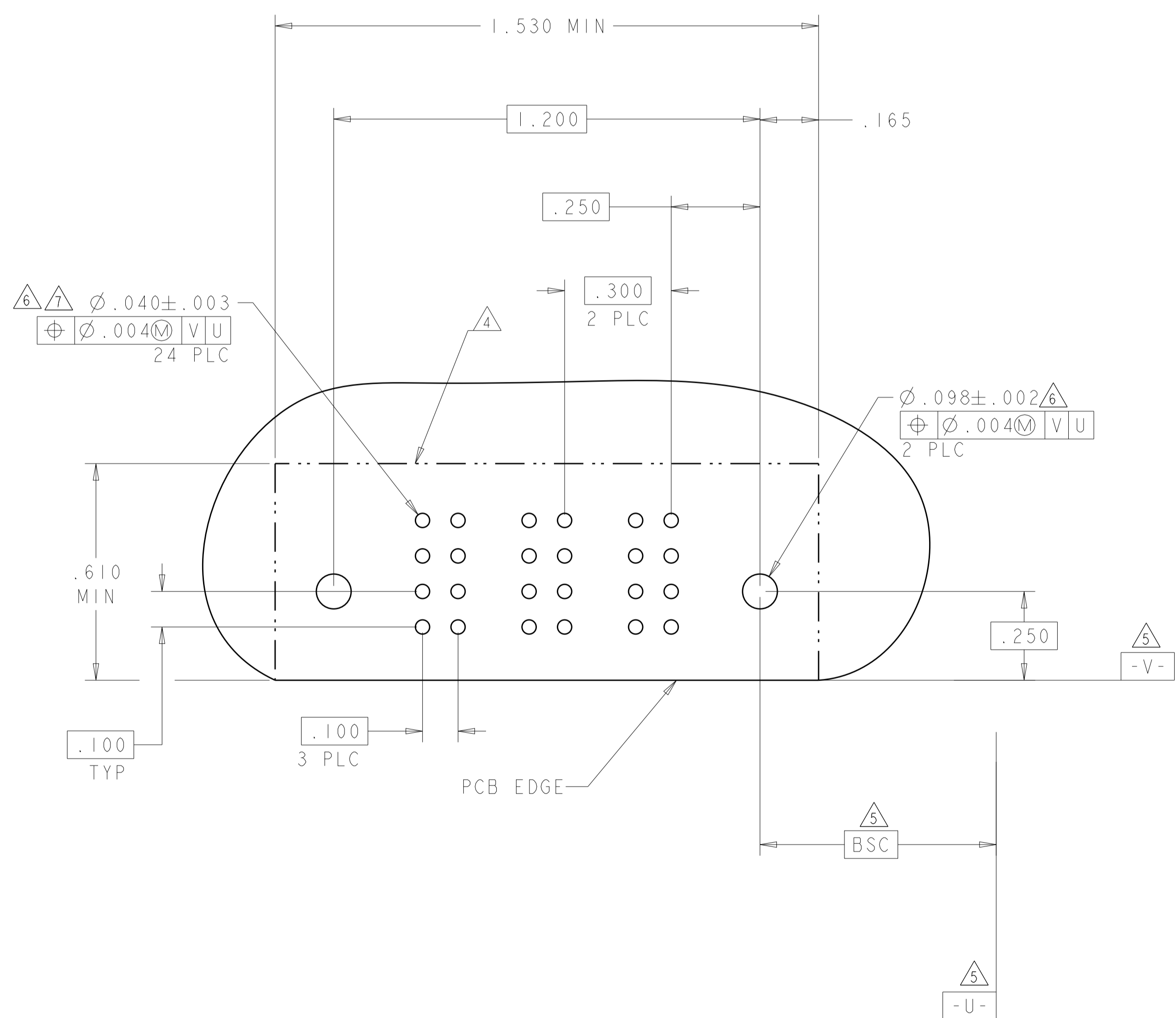
RIGHT ANGLE RECEPTACLE ASSEMBLY WITH GUIDES MULTI-BEAM XL

SIZE: A100779 C=6450173

LOC	DIST	REVISIONS					
		P	LTH	DESCRIPTION	DATE	DWN	APVD
ES	00	-	-	SEE SHEET 1	-	-	-

PART NUMBER	ROWS	POWER		
		P3	P2	P1
6450173-3	D C B A	RA	RA	RA
3ACP		HD		HD

B3



THIS DRAWING IS A CONTROLLED DOCUMENT.		DWN R. GRZYBOWSKI 22FEB05	TE Connectivity	
DIMENSIONS: INCHES		CHK M. PERCHERKE 22FEB05	APVD M. PERCHERKE	
TOLERANCES UNLESS OTHERWISE SPECIFIED:		NAME RIGHT ANGLE RECEPTACLE ASSEMBLY WITH GUIDES MULTI-BEAM XL		
0 PLC ±.01		PRODUCT SPEC 108-1973		
1 PLC ±.01		APPLICATION SPEC 114-13038		
2 PLC ±.005		SIZE A1		
3 PLC ±.0020		CAGE CODE 100779		
ANGLES ±.2°		DRAWING NO 6450173		
FINISH		WEIGHT		
MATERIAL		CUSTOMER DRAWING		
		SCALE 4:1		
		SHEET 3 OF 3		
		REV B3		