

# DS1647/DS1647P Nonvolatile Timekeeping RAM

[www.maxim-ic.com](http://www.maxim-ic.com)

## FEATURES

- Integrates NV SRAM, Real-Time Clock, Crystal, Power-Fail Control Circuit, and Lithium Energy Source
- Clock Registers Are Accessed Identically to the Static RAM. These Registers are Resident in the Eight Top RAM Locations.
- Totally Nonvolatile with Over 10 Years of Operation in the Absence of Power
- BCD Coded Year, Month, Date, Day, Hours, Minutes, and Seconds with Leap Year Compensation Valid Through 2099
- Power-Fail Write Protection Allows for  $\pm 10\%$   $V_{CC}$  Power-Supply Tolerance
- DS1647 Only (DIP Module):  
Standard JEDEC Byte-Wide 128k x 8 RAM Pinout
- DS1647P Only (PowerCap Module Board):  
Surface Mountable Package for Direct Connection to PowerCap Containing Replaceable Battery (PowerCap)  
Power-Fail Output  
Pin-for-Pin Compatible with Other Densities of DS164XP Timekeeping RAM

## ORDERING INFORMATION

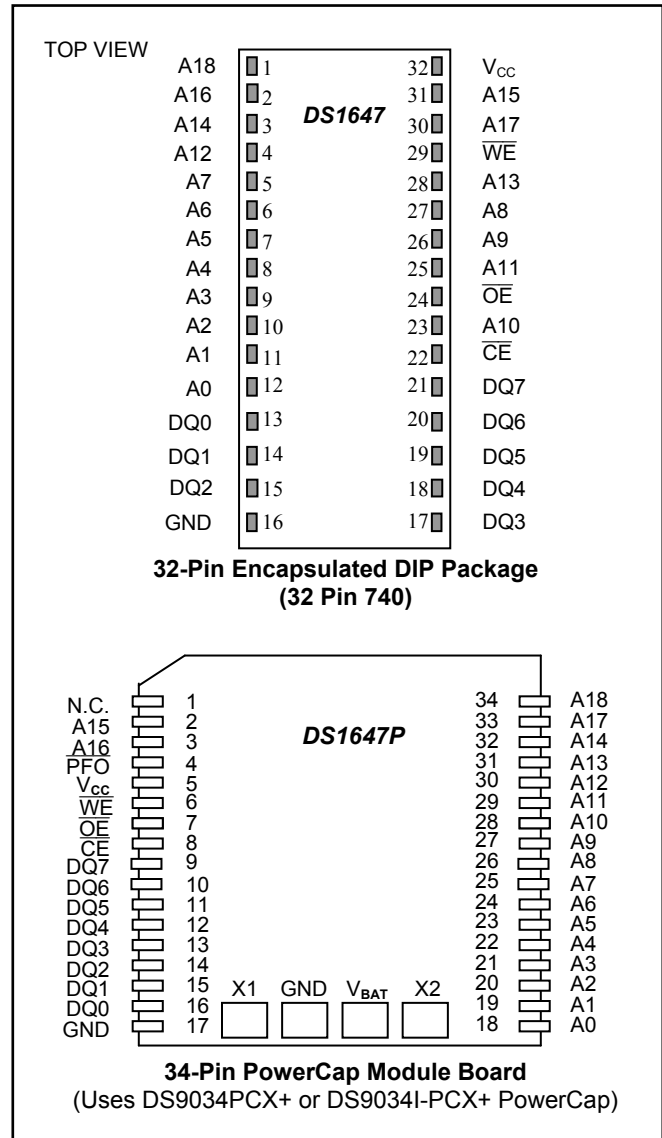
| PART         | TEMP RANGE   | PIN-PACKAGE      | TOP MARK**  |
|--------------|--------------|------------------|-------------|
| DS1647-120+  | 0°C to +70°C | 32 EDIP (0.740a) | DS1647+120  |
| DS1647P-120+ | 0°C to +70°C | 34 PowerCap*     | DS1647P+120 |

+Denotes a lead(Pb)-free/RoHS-compliant package.

\*DS9034PCX+ or DS9034I-PCX+ required (must be ordered separately).

\*\*A "+" indicates lead(Pb)-free. The top mark includes a "+" symbol on lead(Pb)-free devices.

## PIN CONFIGURATIONS



**PIN DESCRIPTION**

| PIN  |          | NAME                        | FUNCTION  |
|------|----------|-----------------------------|---|
| PDIP | PowerCap |                             |   |
| 1    | 34       | A18                         | Address Input   |
| 2    | 3        | A16                         |   |
| 3    | 32       | A14                         |   |
| 4    | 30       | A12                         |   |
| 5    | 25       | A7                          |   |
| 6    | 24       | A6                          |   |
| 7    | 23       | A5                          |   |
| 8    | 22       | A4                          |   |
| 9    | 21       | A3                          |   |
| 10   | 20       | A2                          |   |
| 11   | 19       | A1                          |   |
| 12   | 18       | A0                          |   |
| 23   | 28       | A10                         |   |
| 25   | 29       | A11                         |   |
| 26   | 27       | A9                          |   |
| 27   | 26       | A8                          |   |
| 28   | 31       | A13                         |   |
| 30   | 33       | A17                         |   |
| 31   | 2        | A15                         |   |
| 13   | 16       | DQ0                         |   |
| 14   | 15       | DQ1                         |   |
| 15   | 14       | DQ2                         |   |
| 17   | 13       | DQ3                         | Data Input/Output   |
| 18   | 12       | DQ4                         |   |
| 19   | 11       | DQ5                         |   |
| 20   | 10       | DQ6                         |   |
| 21   | 9        | DQ7                         |   |
| 16   | 17       | GND                         | Ground  |
| 22   | 8        | $\overline{\text{CE}}$      | Active-Low Chip Enable  |
| 24   | 7        | $\overline{\text{OE}}$      | Active-Low Output Enable  |
| 29   | 6        | $\overline{\text{WE}}$      | Active-Low Write Enable   |
| 32   | 5        | V <sub>CC</sub>             | Power-Supply Input  |
| —    | 4        | $\overline{\text{PFO}}$     | Active-Low Power-Fail Output, Open Drain. This pin requires a pullup resistor for proper operation. |
| —    | 1        | N.C.                        | No Connection   |
| —    |          | X1, X2,<br>V <sub>BAT</sub> | Crystal Connections and Battery Connection  |

## DESCRIPTION

The DS1647 is a 512k x 8 nonvolatile static RAM with a full-function real-time clock, which are both accessible in a byte-wide format. The nonvolatile timekeeping RAM is functionally equivalent to any JEDEC standard 512k x 8 SRAM. The device can also be easily substituted for ROM, EPROM and EEPROM, providing read/write nonvolatility and the addition of the real-time clock function. The real-time clock information resides in the eight uppermost RAM locations. The RTC registers contain year, month, date, day, hours, minutes, and seconds data in 24-hour BCD format. Corrections for the day of the month and leap year are made automatically. The RTC clock registers are double-buffered to avoid access of incorrect data that can occur during clock update cycles. The double-buffered system also prevents time loss as the timekeeping countdown continues unabated by access to time register data. The DS1647 also contains its own power-fail circuitry, which deselected the device when the  $V_{CC}$  supply is in an out-of-tolerance condition. This feature prevents loss of data from unpredictable system operation brought on by low  $V_{CC}$  as errant access and update cycles are avoided.

## PACKAGES

The DS1647 is available in two packages: 32-pin DIP and 34-pin PowerCap module. The 32-pin DIP style module integrates the crystal, lithium energy source, and silicon all in one package. The 34-pin PowerCap Module Board is designed with contacts for connection to a separate PowerCap (DS9034PCX) that contains the crystal and battery. This design allows the PowerCap to be mounted on top of the DS1647P after the completion of the surface mount process. Mounting the PowerCap after the surface mount process prevents damage to the crystal and battery due to the high temperatures required for solder reflow. The PowerCap is keyed to prevent reverse insertion. The PowerCap Module Board and PowerCap are ordered separately and shipped in separate containers. The part number for the PowerCap is DS9034PCX.

## CLOCK OPERATIONS—READING THE CLOCK

While the double-buffered register structure reduces the chance of reading incorrect data, internal updates to the DS1647 clock registers should be halted before clock data is read to prevent reading of data in transition. However, halting the internal clock register updating process does not affect clock accuracy. Updating is halted when a 1 is written into the read bit, the 7th most significant bit in the control register. As long as 1 remains in that position, updating is halted. After a halt is issued, the registers reflect the count, that is day, date, and time that was present at the moment the halt command was issued. However, the internal clock registers of the double-buffered system continue to update so that clock accuracy is not affected by the access of data. All of the DS1647 registers are updated simultaneously after the clock status is reset. Updating is within a second after the read bit is written to 0.

The read bit must be a zero for a minimum of 500 $\mu$ s to ensure that the external registers are updated.

Figure 1. Block Diagram

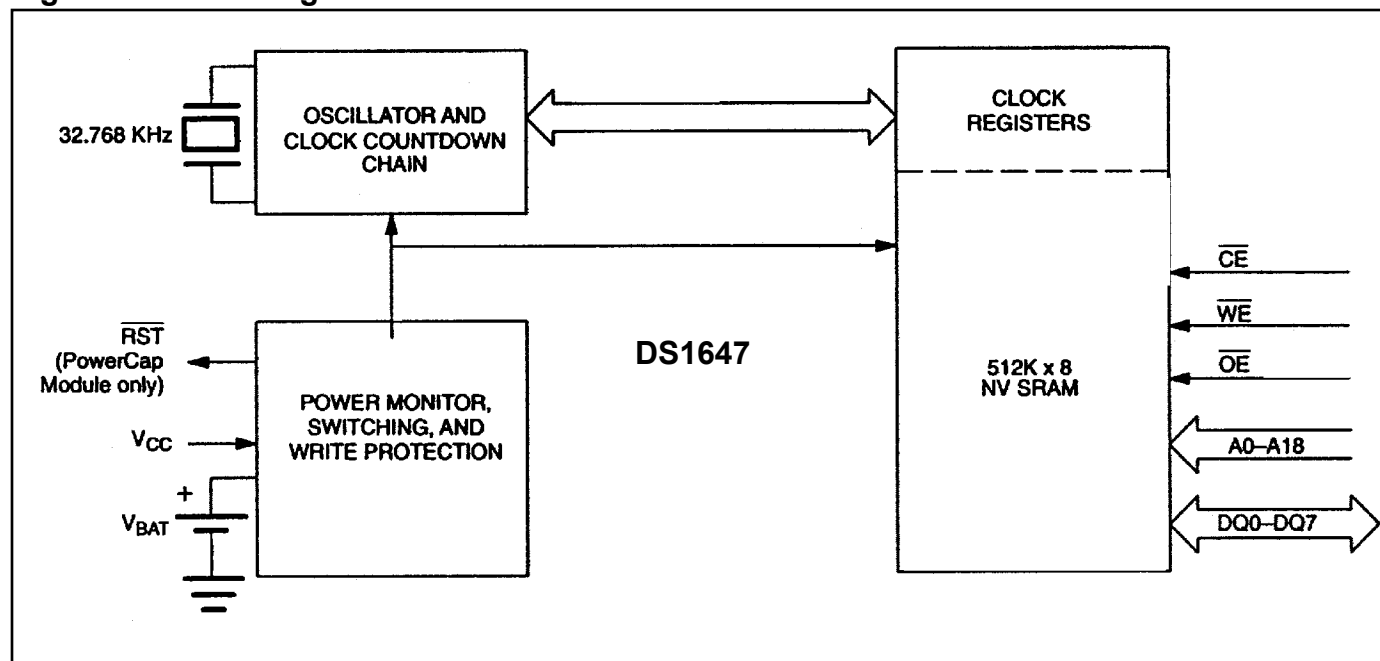


Table 1. Truth Table

| $V_{CC}$         | $\overline{CE}$ | $\overline{OE}$ | $\overline{WE}$ | MODE     | DQ       | POWER               |
|------------------|-----------------|-----------------|-----------------|----------|----------|---------------------|
| $5V \pm 10\%$    | $V_{IH}$        | X               | X               | Deselect | High-Z   | Standby             |
|                  | X               | X               | X               | Deselect | High-Z   | Standby             |
|                  | $V_{IL}$        | X               | $V_{IL}$        | Write    | Data In  | Active              |
|                  | $V_{IL}$        | $V_{IL}$        | $V_{IH}$        | Read     | Data Out | Active              |
|                  | $V_{IL}$        | $V_{IH}$        | $V_{IH}$        | Read     | High-Z   | Active              |
| $<4.5V >V_{BAT}$ | X               | X               | X               | Deselect | High-Z   | CMOS Standby        |
| $<V_{BAT}$       | X               | X               | X               | Deselect | High-Z   | Data-Retention Mode |

## SETTING THE CLOCK

The MSB Bit, B7, of the control register is the write bit. Setting the write bit to a 1, like the read bit halts updates to the DS1647 registers. The user can then load them with the correct day, date and time data in 24-hour BCD format. Resetting the write bit to a 0 then transfers those values to the actual clock counters and allows normal operation to resume.

## STOPPING AND STARTING THE CLOCK OSCILLATOR

The clock oscillator may be stopped at any time. To increase the shelf life, the oscillator can be turned off to minimize current drain from the battery. The  $\overline{\text{OSC}}$  bit is the MSB for the second's registers. Setting it to a 1 stops the oscillator.

## FREQUENCY TEST BIT

Bit 6 of the day byte is the frequency test bit. When the frequency test bit is set to logic 1 and the oscillator is running, the LSB of the second's register will toggle at 512Hz. When the seconds register is being read, the  $\overline{\text{DQ0}}$  line will toggle at the 512Hz frequency as long as conditions for access remain valid (i.e.,  $\overline{\text{CE}}$  low,  $\overline{\text{OE}}$  low, and address for seconds register remain valid and stable).

## CLOCK ACCURACY (DIP MODULE)

The DS1647 is guaranteed to keep time accuracy to within  $\pm 1$  minute per month at  $+25^{\circ}\text{C}$ . The RTC is calibrated at the factory by Dallas Semiconductor using nonvolatile tuning elements, and does not require additional calibration. For this reason, methods of field clock calibration are not available and not necessary. Clock accuracy is also affected by the electrical environment and caution should be taken to place the RTC in the lowest-level EMI section of the PC board layout. For additional information, refer to *Application Note 58*.

## CLOCK ACCURACY (POWERCAP MODULE)

The DS1647 and DS9034PCX are each individually tested for accuracy. Once mounted together, the module will typically keep time accuracy to within  $\pm 1.53$  minutes per month (35ppm) at  $+25^{\circ}\text{C}$ . Clock accuracy is also affected by the electrical environment and caution should be taken to place the RTC in the lowest-level EMI section of the PC board layout. For additional information, refer to *Application Note 58*.

**Table 2. Register Map—BANK1**

| ADDRESS | DATA                    |                |                |                |                |                |                |                | FUNCTION |       |
|---------|-------------------------|----------------|----------------|----------------|----------------|----------------|----------------|----------------|----------|-------|
|         | B <sub>7</sub>          | B <sub>6</sub> | B <sub>5</sub> | B <sub>4</sub> | B <sub>3</sub> | B <sub>2</sub> | B <sub>1</sub> | B <sub>0</sub> |          |       |
| 7FFFF   | —                       | —              | —              | —              | —              | —              | —              | —              | Year     | 00–99 |
| 7FFFE   | X                       | X              | X              | —              | —              | —              | —              | —              | Month    | 01–12 |
| 7FFFD   | X                       | X              | —              | —              | —              | —              | —              | —              | Date     | 01–31 |
| 7FFFC   | X                       | FT             | X              | X              | X              | —              | —              | —              | Day      | 01–07 |
| 7FFFB   | X                       | X              | —              | —              | —              | —              | —              | —              | Hour     | 00–23 |
| 7FFFA   | X                       | —              | —              | —              | —              | —              | —              | —              | Minutes  | 00–59 |
| 7FFF9   | $\overline{\text{OSC}}$ | —              | —              | —              | —              | —              | —              | —              | Seconds  | 00–59 |
| 7FFF8   | W                       | R              | X              | X              | X              | X              | X              | X              | Control  | A     |

$\overline{\text{OSC}}$  = STOP BIT  
W = WRITE BIT

R = READ BIT  
X = UNUSED

FT = FREQUENCY TEST

*Note:* All indicated "X" bits are unused, but must be set to "0" when written to ensure proper clock operation.

## RETRIEVING DATA FROM RAM OR CLOCK

The DS1647 is in the read mode whenever  $\overline{WE}$  (write enable) is high;  $\overline{CE}$  (chip enable) is low. The device architecture allows ripple-through access to any of the address locations in the NV SRAM. Valid data will be available at the DQ pins within  $t_{AA}$  after the last address input is stable, providing that the  $\overline{CE}$  and  $\overline{OE}$  access times and states are satisfied. If  $\overline{CE}$  or  $\overline{OE}$  access times are not met, valid data will be available at the latter of chip-enable access ( $t_{CEA}$ ) or at output enable access time ( $t_{OEA}$ ). The state of the data input/output pins (DQ) is controlled by  $\overline{CE}$  and  $\overline{OE}$ . If the outputs are activated before  $t_{AA}$ , the data lines are driven to an intermediate state until  $t_{AA}$ . If the address inputs are changed while  $\overline{CE}$  and  $\overline{OE}$  remain valid, output data will remain valid for output data hold time ( $t_{OH}$ ) but will then go indeterminate until the next address access.

## WRITING DATA TO RAM OR CLOCK

The DS1647 is in the write mode whenever  $\overline{WE}$  and  $\overline{CE}$  are in their active state. The start of a write is referenced to the latter occurring high to low transition of  $\overline{WE}$  and  $\overline{CE}$ . The addresses must be held valid throughout the cycle.  $\overline{CE}$  or  $\overline{WE}$  must return inactive for a minimum of  $t_{WR}$  prior to the initiation of another read or write cycle. Data in must be valid  $t_{DS}$  prior to the end of write and remain valid for  $t_{DH}$  afterward. In a typical application, the  $\overline{OE}$  signal will be high during a write cycle. However,  $\overline{OE}$  can be active provided that care is taken with the data bus to avoid bus contention. If  $\overline{OE}$  is low prior to  $\overline{WE}$  transitioning low the data bus can become active with read data defined by the address inputs. A low transition on  $\overline{WE}$  will then disable the outputs  $t_{WEZ}$  after  $\overline{WE}$  goes active.

## DATA-RETENTION MODE

When  $V_{CC}$  is within nominal limits ( $V_{CC} > 4.5V$ ) the DS1647 can be accessed as described above with read or write cycles. However, when  $V_{CC}$  is below the power-fail point  $V_{PF}$  (point at which write protection occurs) the internal clock registers and RAM are blocked from all access. This is accomplished internally by inhibiting access via the  $\overline{CE}$  signal. At this time the power-fail output signal (PFO) will be driven active low and will remain active until  $V_{CC}$  returns to nominal levels. When  $V_{CC}$  falls below the level of the internal battery supply, power input is switched from the  $V_{CC}$  pin to the internal battery and clock activity, RAM, and clock data are maintained from the battery until  $V_{CC}$  is returned to nominal level.

## BATTERY LONGEVITY

The DS1647 has a lithium power source that is designed to provide energy for clock activity and clock and RAM data retention when the  $V_{CC}$  supply is not present. The capability of this internal power supply is sufficient to power the DS1647 continuously for the life of the equipment in which it is installed. For specification purposes, the life expectancy is 10 years at +25°C with the internal clock oscillator running in the absence of  $V_{CC}$  power. Each DS1647 is shipped from Dallas Semiconductor with its lithium energy source disconnected, guaranteeing full energy capacity. When  $V_{CC}$  is first applied at a level greater than  $V_{PF}$ , the lithium energy source is enabled for battery backup operation. Actual life expectancy of the DS1647 will be longer than 10 years since no lithium battery energy is consumed when  $V_{CC}$  is present.

**ABSOLUTE MAXIMUM RATINGS**

|  |                 |
|--|-----------------|
| Voltage Range on Any Pin Relative to Ground..... | -0.3V to +6.0V  |
| Operating Temperature Range (Noncondensing)..... | 0°C to +70°C    |
| Storage Temperature Range                        |                 |
| EDIP .....                                       | -40°C to +85°C  |
| PowerCap .....                                   | -55°C to +125°C |
| Lead Temperature (soldering, 10s) .....          | +260°C          |
| <b>Note:</b> EDIP is wave or hand soldered only. |                 |
| Soldering Temperature (reflow, PowerCap) .....   | +260°C          |

*This is a stress rating only and functional operation of the device at these or any other conditions above those indicated in the operation sections of this specification is not implied. Exposure to absolute maximum rating conditions for extended periods of time may affect device reliability.*

**RECOMMENDED DC OPERATING CONDITIONS**(T<sub>A</sub> = 0°C to +70°C)

| PARAMETER                   | SYMBOL          | MIN  | TYP | MAX                   | UNITS | NOTES |
|-----------------------------|-----------------|------|-----|-----------------------|-------|-------|
| Supply Voltage              | V <sub>CC</sub> | 4.5  | 5.0 | 5.5                   | V     | 1     |
| Logic 1 Voltage, All Inputs | V <sub>IH</sub> | 2.2  |     | V <sub>CC</sub> + 0.3 | V     |       |
| Logic 0 Voltage, All Inputs | V <sub>IL</sub> | -0.3 |     | +0.8                  | V     |       |

**DC ELECTRICAL CHARACTERISTICS**(V<sub>CC</sub> = 5.0V ±10%, T<sub>A</sub> = 0°C to +70°C.)

| PARAMETER  | SYMBOL           | MIN | TYP | MAX | UNITS | NOTES |
|--|------------------|-----|-----|-----|-------|-------|
| Average V <sub>CC</sub> Power Supply Current                                       | I <sub>CC1</sub> |     |     | 85  | mA    | 2, 3  |
| TTL Standby Current ( $\overline{CE} = V_{IH}$ )                                   | I <sub>CC2</sub> |     | 3   | 6   | mA    | 2, 3  |
| CMOS Standby Current<br>( $\overline{CE} = V_{CC} - 0.2V$ )                        | I <sub>CC3</sub> |     | 2   | 4.0 | mA    | 2, 3  |
| Input Leakage Current (Any Input)  | I <sub>IL</sub>  | -1  |     | +1  | μA    |       |
| Output Leakage Current   | I <sub>OL</sub>  | -1  |     | +1  | μA    |       |
| Output Logic 1 Voltage<br>(I <sub>OUT</sub> = -1.0mA) (DQ0–DQ7)                    | V <sub>OH</sub>  | 2.4 |     |     | V     |       |
| Output Logic 0 Voltage<br>(I <sub>OUT</sub> = +2.1mA) (DQ0–DQ7, $\overline{PFO}$ ) | V <sub>OL</sub>  |     |     | 0.4 | V     |       |
| Write-Protection Voltage   | V <sub>PF</sub>  | 4.0 |     | 4.5 | V     |       |

**CAPACITANCE**(T<sub>A</sub> = +25°C)

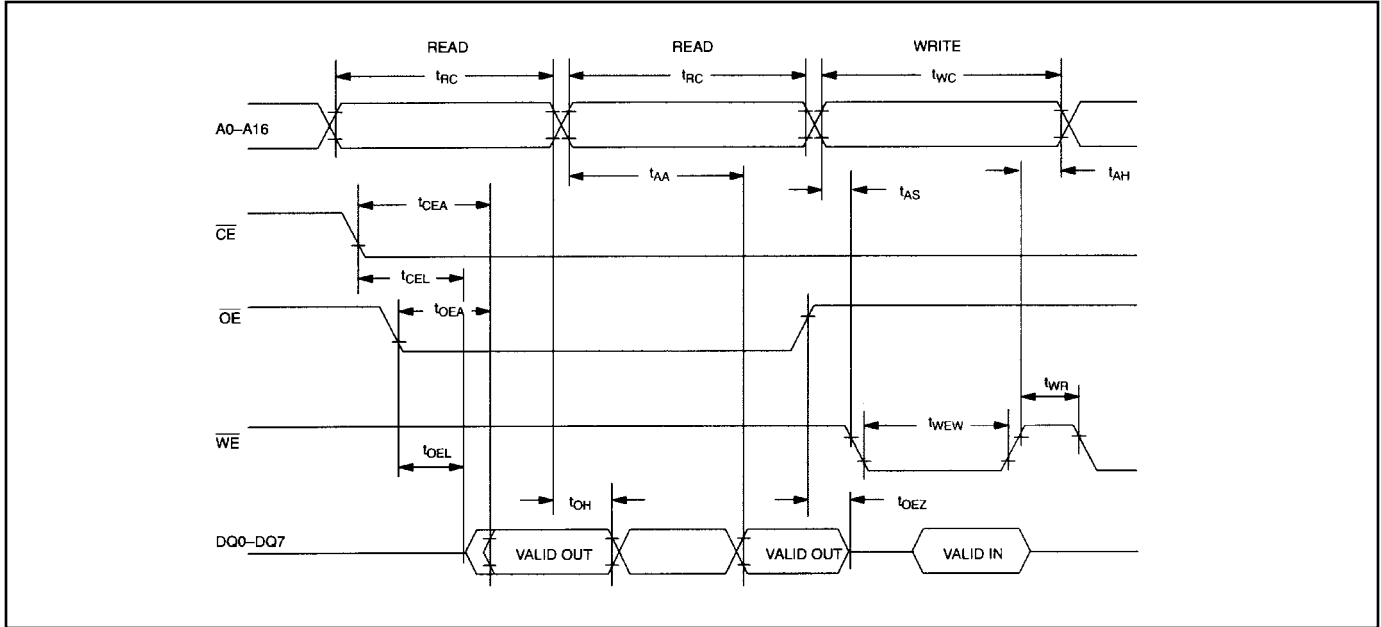
| PARAMETER                           | SYMBOL          | MIN | TYP | MAX | UNITS | NOTES |
|-------------------------------------|-----------------|-----|-----|-----|-------|-------|
| Capacitance on All Pins (Except DQ) | C <sub>I</sub>  |     |     | 7   | pF    |       |
| Capacitance on DQ Pins              | C <sub>DQ</sub> |     |     | 10  | pF    |       |

**AC ELECTRICAL CHARACTERISTICS**(V<sub>CC</sub> = 5.0V ±10%, T<sub>A</sub> = 0°C to +70°C.)

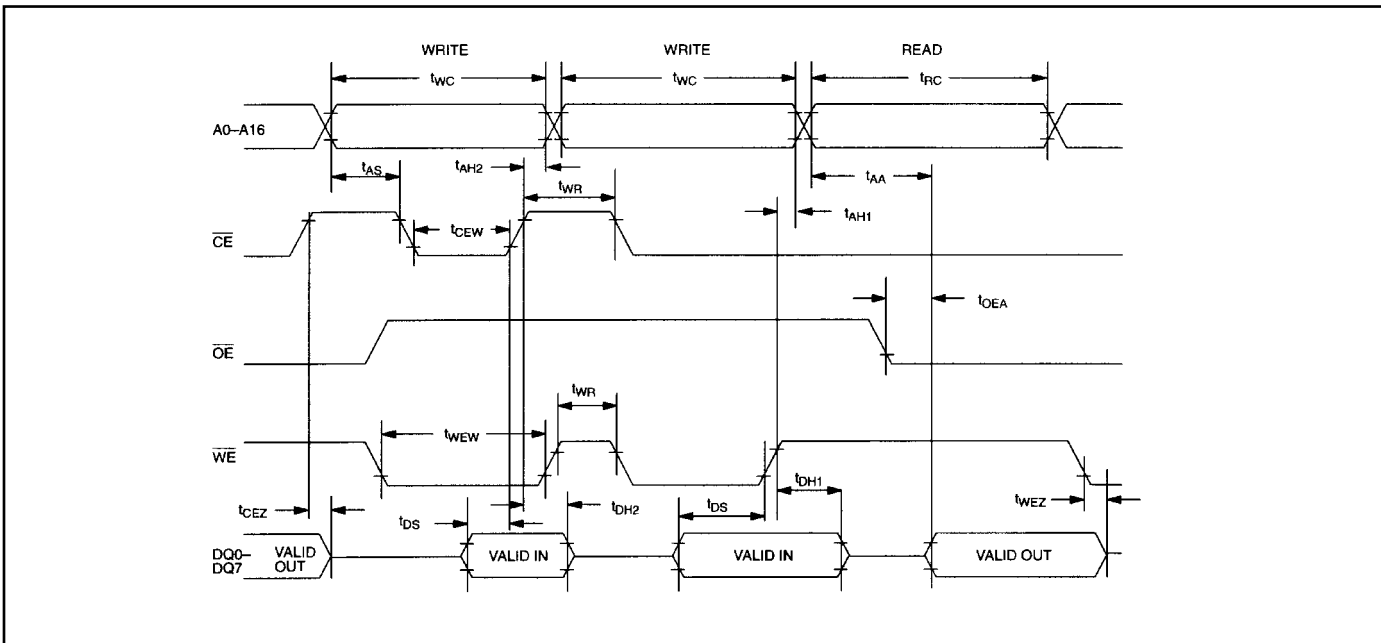
| PARAMETER  | SYMBOL            | MIN | TYP | MAX | UNITS | NOTES |
|--|-------------------|-----|-----|-----|-------|-------|
| Read Cycle Time  | t <sub>RC</sub>   | 120 |     |     | ns    |       |
| Address Access Time  | t <sub>AA</sub>   |     |     | 120 | ns    |       |
| $\overline{\text{CE}}$ Access Time                             | t <sub>CEA</sub>  |     |     | 120 | ns    |       |
| $\overline{\text{CE}}$ Data Off Time                           | t <sub>CEZ</sub>  |     |     | 40  | ns    |       |
| $\overline{\text{OE}}$ Access Time                             | t <sub>OE A</sub> |     |     | 100 | ns    |       |
| $\overline{\text{OE}}$ Data Off Time                           | t <sub>OEZ</sub>  |     |     | 40  | ns    |       |
| $\overline{\text{OE}}$ to DQ Low-Z                             | t <sub>OE L</sub> | 5   |     |     | ns    |       |
| $\overline{\text{CE}}$ to DQ Low-Z                             | t <sub>CE L</sub> | 5   |     |     | ns    |       |
| Output Hold from Address                                       | t <sub>OH</sub>   | 5   |     |     | ns    |       |
| Write Cycle Time   | t <sub>WC</sub>   | 120 |     |     | ns    |       |
| Address Setup Time   | t <sub>AS</sub>   | 0   |     |     | ns    |       |
| $\overline{\text{CE}}$ Pulse Width                             | t <sub>CEW</sub>  | 100 |     |     | ns    |       |
| Address Hold from End of Write                                 | t <sub>AH1</sub>  | 5   |     |     | ns    | 5     |
|  | t <sub>AH2</sub>  | 30  |     |     |       | 6     |
| Write Pulse Width  | t <sub>WEW</sub>  | 75  |     |     | ns    |       |
| $\overline{\text{WE}}$ Data Off Time                           | t <sub>WEZ</sub>  |     |     | 40  | ns    |       |
| $\overline{\text{WE}}$ or $\overline{\text{CE}}$ Inactive Time | t <sub>WR</sub>   | 10  |     |     | ns    |       |
| Data Setup Time  | t <sub>DS</sub>   | 85  |     |     | ns    |       |
| Data Hold Time High  | t <sub>DH1</sub>  | 0   |     |     | ns    | 5     |
|  | t <sub>DH2</sub>  | 25  |     |     |       | 6     |



### READ CYCLE TIMING

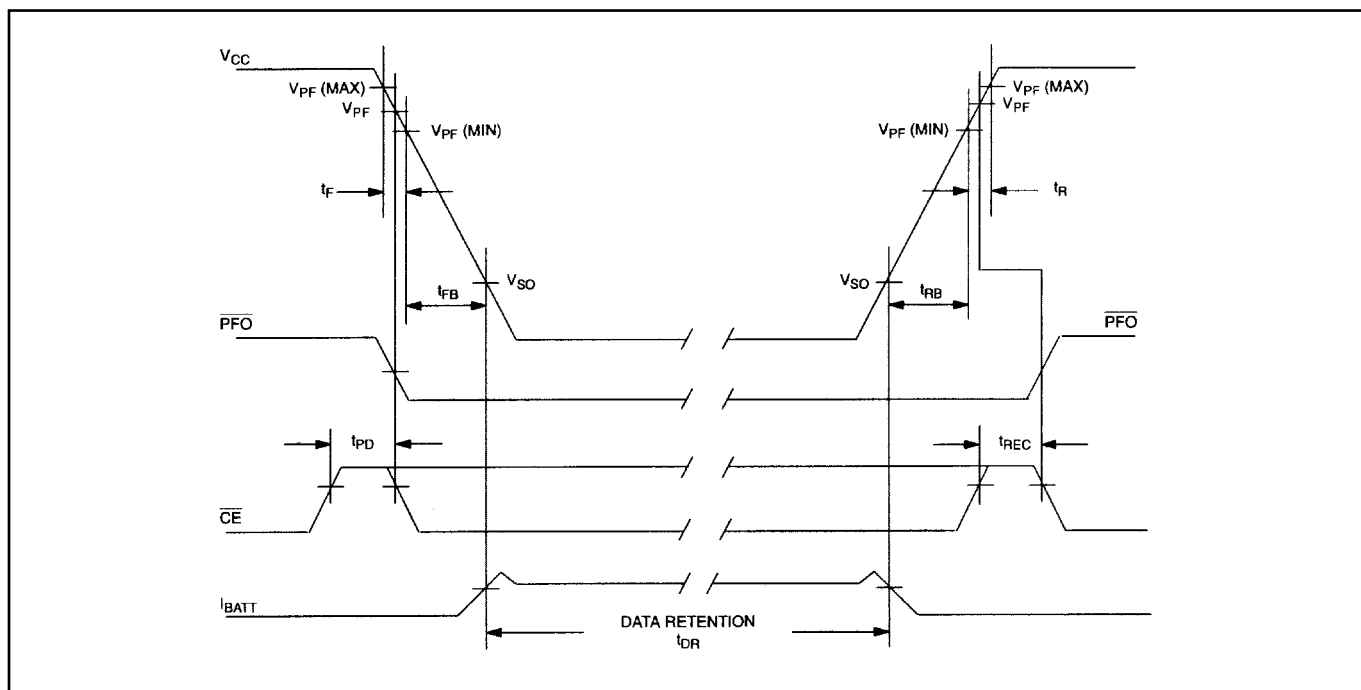
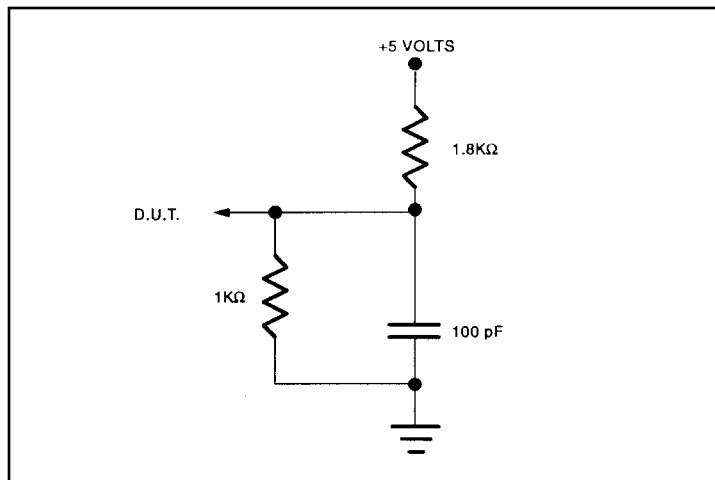


### WRITE CYCLE TIMING



**AC ELECTRICAL CHARACTERISTICS—POWER-UP/POWER-DOWN TIMING** $(V_{CC} = 5.0V \pm 10\%, T_A = 0^\circ C \text{ to } +70^\circ C.)$ 

| PARAMETER  | SYMBOL    | MIN | TYP | MAX | UNITS   | NOTES |
|--|-----------|-----|-----|-----|---------|-------|
| $\overline{CE}$ or $\overline{WE}$ at $V_{IH}$ before Power-Down | $t_{PD}$  | 0   |     |     | $\mu s$ |       |
| $V_{PF(MAX)}$ to $V_{PF(MIN)}$ $V_{CC}$ Fall Time                | $t_F$     | 300 |     |     | $\mu s$ |       |
| $V_{PF(MIN)}$ to $V_{SO}$ $V_{CC}$ Fall Time                     | $t_{FB}$  | 10  |     |     | $\mu s$ |       |
| $V_{SO}$ to $V_{PF(MIN)}$ $V_{CC}$ Rise Time                     | $t_{RB}$  | 1   |     |     | $\mu s$ |       |
| $V_{PF(MIN)}$ to $V_{PF(MAX)}$ $V_{CC}$ Rise Time                | $t_R$     | 0   |     |     | $\mu s$ |       |
| Power-Up   | $t_{REC}$ | 15  |     | 35  | ms      |       |
| Expected Data-Retention Time +25°C<br>(Oscillator On)            | $t_{DR}$  | 10  |     |     | years   | 4     |

**POWER-DOWN/POWER-UP TIMING****OUTPUT LOAD**

## AC TEST CONDITIONS

Output Load: 50pF + 1TTL Gate

Input Levels: 0 to 3V

Timing Measurement Reference Levels:

Input: 1.5V

Output: 1.5V

Input Pulse Rise and Fall Times: 5ns

## NOTES:

- 1) All voltages are referenced to ground.
- 2) Typical values are at +25°C and nominal supplies.
- 3) Outputs are open.
- 4) Each DS1647 has a built-in switch that disconnects the lithium source until  $V_{CC}$  is first applied by the user. The expected  $t_{DR}$  is defined for DIP modules as a cumulative time in the absence of  $V_{CC}$  starting from the time power is first applied by the user.
- 5)  $t_{AH1}$ ,  $t_{DH1}$  are measured from  $\overline{WE}$  going high.
- 6)  $t_{AH2}$ ,  $t_{DH2}$  are measured from  $\overline{CE}$  going high.
- 7) RTC Encapsulated DIP Modules (EDIP) can be successfully processed through conventional wave-soldering techniques as long as temperatures as long as temperature exposure to the lithium energy source contained within does not exceed +85°C. Post-solder cleaning with water washing techniques is acceptable, provided that ultrasonic vibration is not used. See the PowerCap package drawing for details regarding the PowerCap package.

## PACKAGE INFORMATION

For the latest package outline information and land patterns, go to [www.maxim-ic.com/packages](http://www.maxim-ic.com/packages). Note that a “+”, “#”, or “-” in the package code indicates RoHS status only. Package drawings may show a different suffix character, but the drawing pertains to the package regardless of RoHS status.

| PACKAGE TYPE | PACKAGE CODE | OUTLINE NO.             | LAND PATTERN NO. |
|--------------|--------------|-------------------------|------------------|
| 32 EDIP      | MDT32+4      | <a href="#">21-0245</a> | —                |
| 34 PCAP      | PC2+1        | <a href="#">21-0246</a> | —                |

**REVISION HISTORY**

| <b>REVISION<br/>DATE</b> | <b>DESCRIPTION</b>   | <b>PAGES<br/>CHANGED</b> |
|--------------------------|--|--------------------------|
| 10/10                    | Updated the <i>Ordering Information</i> table; updated the storage, lead, and soldering information in the <i>Absolute Maximum Ratings</i> section | 1, 7                     |