

**PLEASE CHECK WWW.MOLEX.COM FOR LATEST PART INFORMATION**

**Part Number:** **0476323000**  
**Status:** **Active**  
**Overview:** high definition multimedia interface hdmi  
**Description:** 0.50mm (.020") Pitch HDMI\* Receptacle, Vertical, SMT, without Flange, with Pick-and-Place Cover, Gold (Au) Flash Plating, 19 Circuits, Tray Packaging, Lead free

**Documents:**

[Drawing \(PDF\)](#) [RoHS Certificate of Compliance \(PDF\)](#)  
[Product Specification PS-47632-001 \(PDF\)](#)

**General**

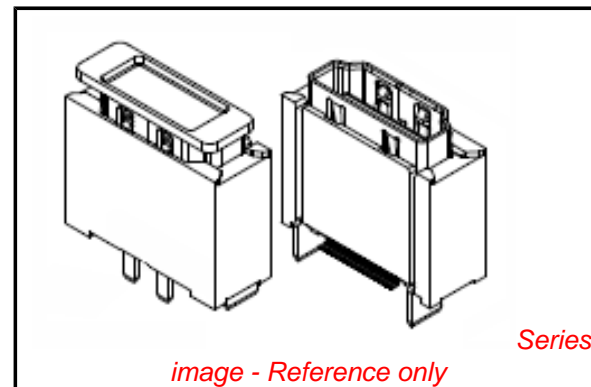
Product Family	I/O Connectors
Series	<u>47632</u>
Application	Wire-to-Board
Comments	Without Flange
Component Type	Receptacle
Overview	<u>high definition multimedia interface hdmi</u>
Product Name	HDMI
Type	N/A

**Physical**

Boot Color	N/A
Circuits (Loaded)	19
Circuits (maximum)	19
Color - Resin	Black
Gender	Male
Keying to Mating Part	Yes
Lock to Mating Part	Yes
Material - Metal	Copper Alloy
Material - Plating Mating	Gold
Material - Plating Termination	Tin-Bismuth
Material - Resin	High Temperature Thermoplastic
Number of Rows	2
Orientation	Vertical
PCB Locator	Yes
PCB Retention	Yes
Packaging Type	Tray
Panel Mount	Without Flange
Pitch - Mating Interface (in)	0.020 In
Pitch - Mating Interface (mm)	0.50 mm
Pitch - Term. Interface (in)	0.020 In
Pitch - Term. Interface (mm)	0.50 mm
Plating min: Mating (µin)	2
Plating min: Mating (µm)	0.05
Plating min: Termination (µin)	0.025
Plating min: Termination (µm)	1
Polarized to Mating Part	Yes
Polarized to PCB	Yes
Ports	1
Temperature Range - Operating	-20°C to +85°C
Termination Interface: Style	Surface Mount
Waterproof / Dustproof	No
Wire Size AWG	N/A

**Electrical**

Current - Maximum per Contact	0.5A
-------------------------------	------



**EU RoHS**

**ELV and RoHS  
Compliant**  
**REACH SVHC  
Not Reviewed**  
**Halogen-Free  
Status**

**China RoHS**



**Need more information on product  
environmental compliance?**

Email [productcompliance@molex.com](mailto:productcompliance@molex.com)  
 For a multiple part number RoHS Certificate of Compliance, [click here](#)

Please visit the [Contact Us](#) section for any non-product compliance questions.

**Search Parts in this Series**  
 47632Series

Voltage - Maximum

40V DC

**Material Info**

**Reference - Drawing Numbers**

Packaging Specification

PK-47632-003

Product Specification

PS-47632-001, RPS-47632-001

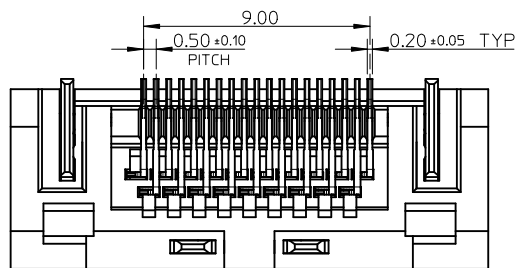
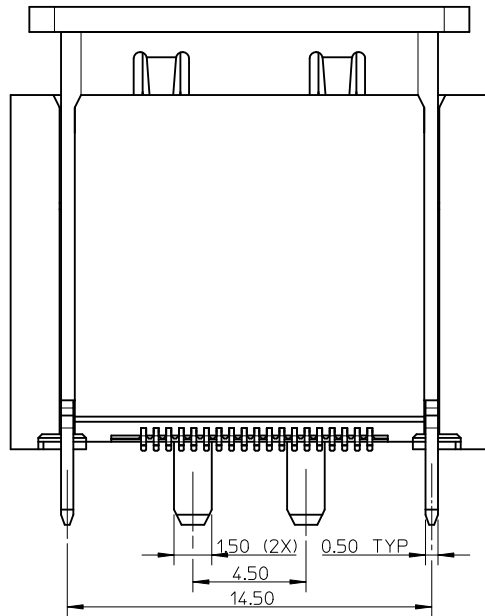
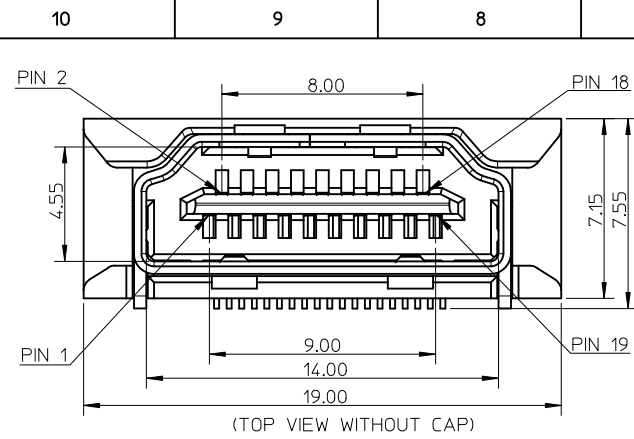
Sales Drawing

SD-47632-300

\* High Definition Multimedia Interface and HDMI are trademarks of HDMI Licensing, LLC.

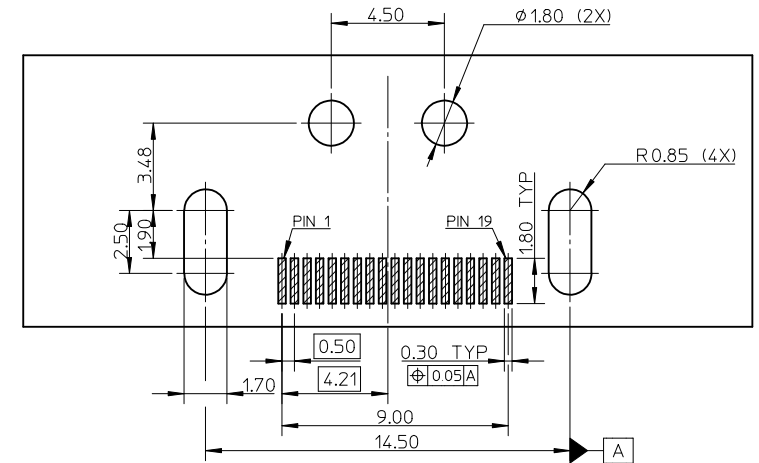
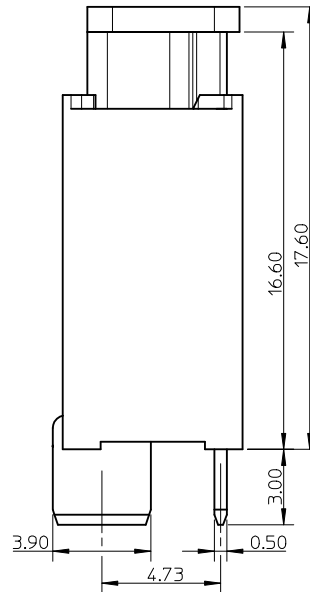
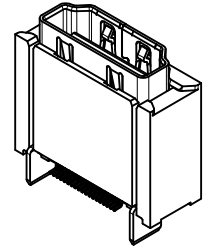
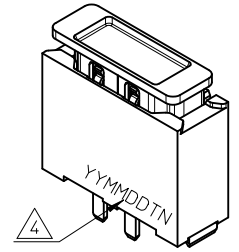
This document was generated on 05/19/2010

**PLEASE CHECK [WWW.MOLEX.COM](http://WWW.MOLEX.COM) FOR LATEST PART INFORMATION**



NOTES:

1. MATERIAL:  
HOUSING/COVER: HIGH TEMPERATURE THERMAL PLASTIC. COLOR: BLACK.  
SHELL: COPPER ALLOY.  
TERMINAL: COPPER ALLOY.
2. PLATING:  
TERMINAL:  
CONTACT AREA: GOLD FLASH.  
SOLDER AREA: 1 MICROMETER MIN. TIN-BISMUTH ALLOY PLATED.  
UNDER PLATE: 1.27 MICROMETER MIN. NICKEL.  
SHELL: 3 MICROMETER MIN. MATTE TIN PLATING OVERALL.
3. COPLANARITY: 0.10mm MAX .
4. DATE CODE: YY: YEAR; MM: MONTH; DD: DAY; T: TIME, A=DAYTIME, B=NIGHT; N: LINE, 1=LINE 1, 2=LINE 2...
5. PRODUCT SPECIFICATION REFER TO PS-47632-001.
6. PACKAGE SPECIFICATION REFER TO PK-47632-003.
7. PRODUCT COMPLIANT TO RoHS DIRECTIVE 2002/95/EC AND ELV DIRECTIVE 2000/53/EC.



RECOMMENDED PCB LAYOUT (CONNECTOR SIDE)  
THICKNESS=1.60mm, GENERAL TOLERANCE: ±0.05

<b>NEW RELEASE.</b> EC NO: SH2010-0165 DRWN:XZ/HANG CHKD:GLL APPR:XJ/SONG	2009/11/03 2009/11/03 2010/01/28	DESCRIPTION REV	QUALITY SYMBOLS	GENERAL TOLERANCES (UNLESS SPECIFIED)	DIMENSION STYLE	SCALE	DESIGN UNITS	THIRD ANGLE PROJECTION																															
			$F_A=0$ $F_E=0$ $F_B=0$	<table border="1"> <thead> <tr> <th></th> <th>mm</th> <th>INCH</th> </tr> </thead> <tbody> <tr> <td>4 PLACES</td> <td>± ---</td> <td>± ---</td> </tr> <tr> <td>3 PLACES</td> <td>± ---</td> <td>± ---</td> </tr> <tr> <td>2 PLACES</td> <td>± 0.20</td> <td>± ---</td> </tr> <tr> <td>1 PLACE</td> <td>± 0.30</td> <td>± ---</td> </tr> </tbody> </table>		mm	INCH	4 PLACES	± ---	± ---	3 PLACES	± ---	± ---	2 PLACES	± 0.20	± ---	1 PLACE	± 0.30	± ---	MM ONLY	5:1	METRIC																	
				mm	INCH																																		
			4 PLACES	± ---	± ---																																		
3 PLACES	± ---	± ---																																					
2 PLACES	± 0.20	± ---																																					
1 PLACE	± 0.30	± ---																																					
	<table border="1"> <thead> <tr> <th></th> <th>mm</th> <th>INCH</th> </tr> </thead> <tbody> <tr> <td>4 PLACES</td> <td>± ---</td> <td>± ---</td> </tr> <tr> <td>3 PLACES</td> <td>± ---</td> <td>± ---</td> </tr> <tr> <td>2 PLACES</td> <td>± 0.20</td> <td>± ---</td> </tr> <tr> <td>1 PLACE</td> <td>± 0.30</td> <td>± ---</td> </tr> </tbody> </table>		mm	INCH	4 PLACES	± ---	± ---	3 PLACES	± ---	± ---	2 PLACES	± 0.20	± ---	1 PLACE	± 0.30	± ---	<table border="1"> <thead> <tr> <th>DRAWN BY</th> <th>DATE</th> <th>TITLE</th> </tr> </thead> <tbody> <tr> <td>CWTANG</td> <td>2009/01/05</td> <td rowspan="4"> <b>HDMI RECEPTACLE            VERTICAL SMT TYPE            WITHOUT FLANGE</b> </td> </tr> <tr> <th>CHECKED BY</th> <th>DATE</th> </tr> <tr> <td>XJ/SONG</td> <td>2009/01/05</td> </tr> <tr> <th>APPROVED BY</th> <th>DATE</th> </tr> <tr> <td>XJ/SONG</td> <td>2010/01/26</td> <td> <b>MOLEX INCORPORATED</b> </td> </tr> </tbody> </table>	DRAWN BY	DATE	TITLE	CWTANG	2009/01/05	<b>HDMI RECEPTACLE            VERTICAL SMT TYPE            WITHOUT FLANGE</b>	CHECKED BY	DATE	XJ/SONG	2009/01/05	APPROVED BY	DATE	XJ/SONG	2010/01/26	<b>MOLEX INCORPORATED</b>	<table border="1"> <thead> <tr> <th>MATERIAL NO.</th> <th>DOCUMENT NO.</th> <th>SHEET NO.</th> </tr> </thead> <tbody> <tr> <td><b>47632-3000</b></td> <td><b>SD-47632-300</b></td> <td><b>1 OF 1</b></td> </tr> </tbody> </table>	MATERIAL NO.	DOCUMENT NO.	SHEET NO.	<b>47632-3000</b>	<b>SD-47632-300</b>	<b>1 OF 1</b>
	mm	INCH																																					
4 PLACES	± ---	± ---																																					
3 PLACES	± ---	± ---																																					
2 PLACES	± 0.20	± ---																																					
1 PLACE	± 0.30	± ---																																					
DRAWN BY	DATE	TITLE																																					
CWTANG	2009/01/05	<b>HDMI RECEPTACLE            VERTICAL SMT TYPE            WITHOUT FLANGE</b>																																					
CHECKED BY	DATE																																						
XJ/SONG	2009/01/05																																						
APPROVED BY	DATE																																						
XJ/SONG	2010/01/26	<b>MOLEX INCORPORATED</b>																																					
MATERIAL NO.	DOCUMENT NO.	SHEET NO.																																					
<b>47632-3000</b>	<b>SD-47632-300</b>	<b>1 OF 1</b>																																					
			DRAFT WHERE APPLICABLE MUST REMAIN WITHIN DIMENSIONS	<table border="1"> <thead> <tr> <th>SIZE</th> <th>THIS DRAWING CONTAINS INFORMATION THAT IS PROPRIETARY TO MOLEX INCORPORATED AND SHOULD NOT BE USED WITHOUT WRITTEN PERMISSION</th> </tr> </thead> <tbody> <tr> <td>A3</td> <td></td> </tr> </tbody> </table>	SIZE	THIS DRAWING CONTAINS INFORMATION THAT IS PROPRIETARY TO MOLEX INCORPORATED AND SHOULD NOT BE USED WITHOUT WRITTEN PERMISSION	A3																																
SIZE	THIS DRAWING CONTAINS INFORMATION THAT IS PROPRIETARY TO MOLEX INCORPORATED AND SHOULD NOT BE USED WITHOUT WRITTEN PERMISSION																																						
A3																																							