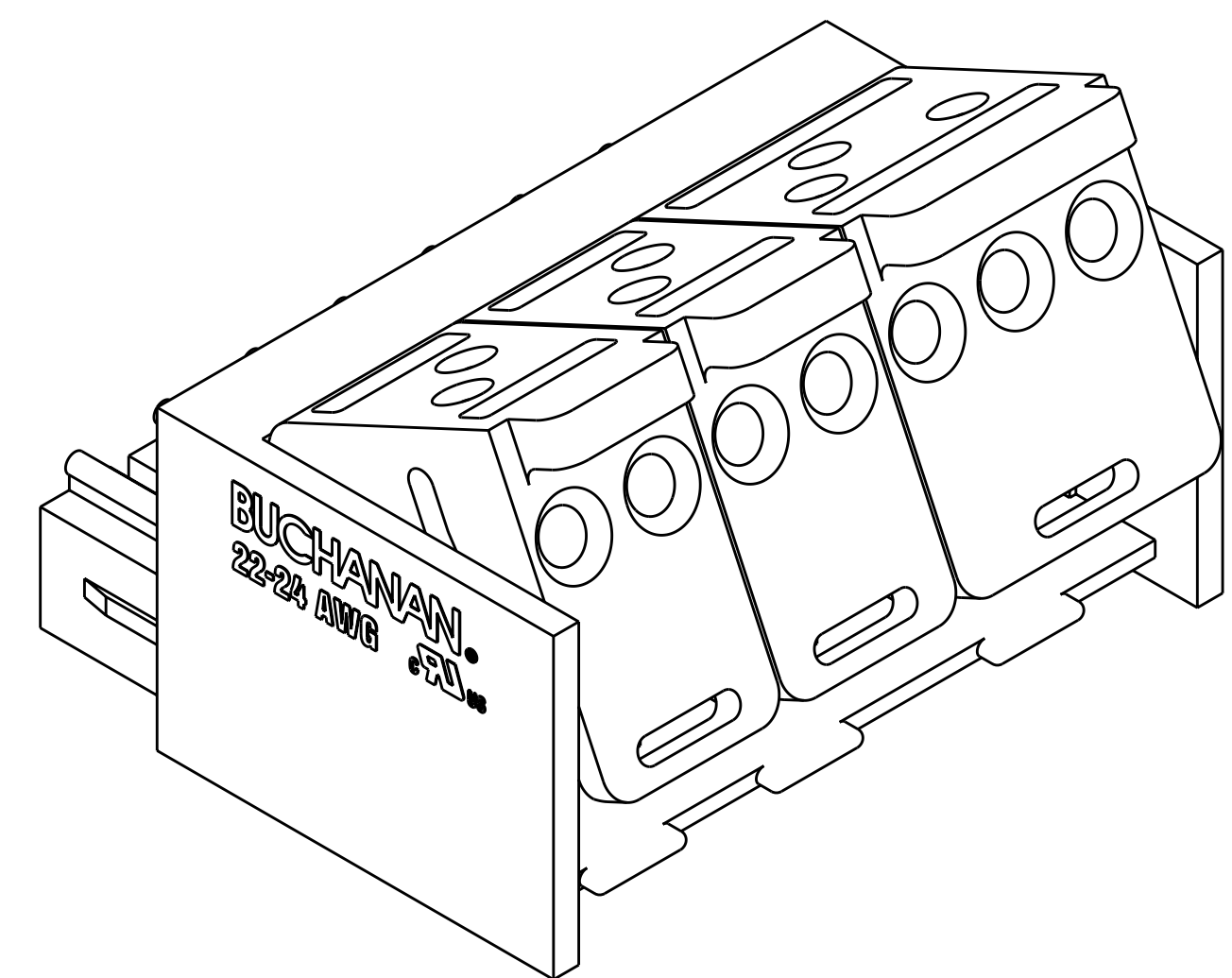
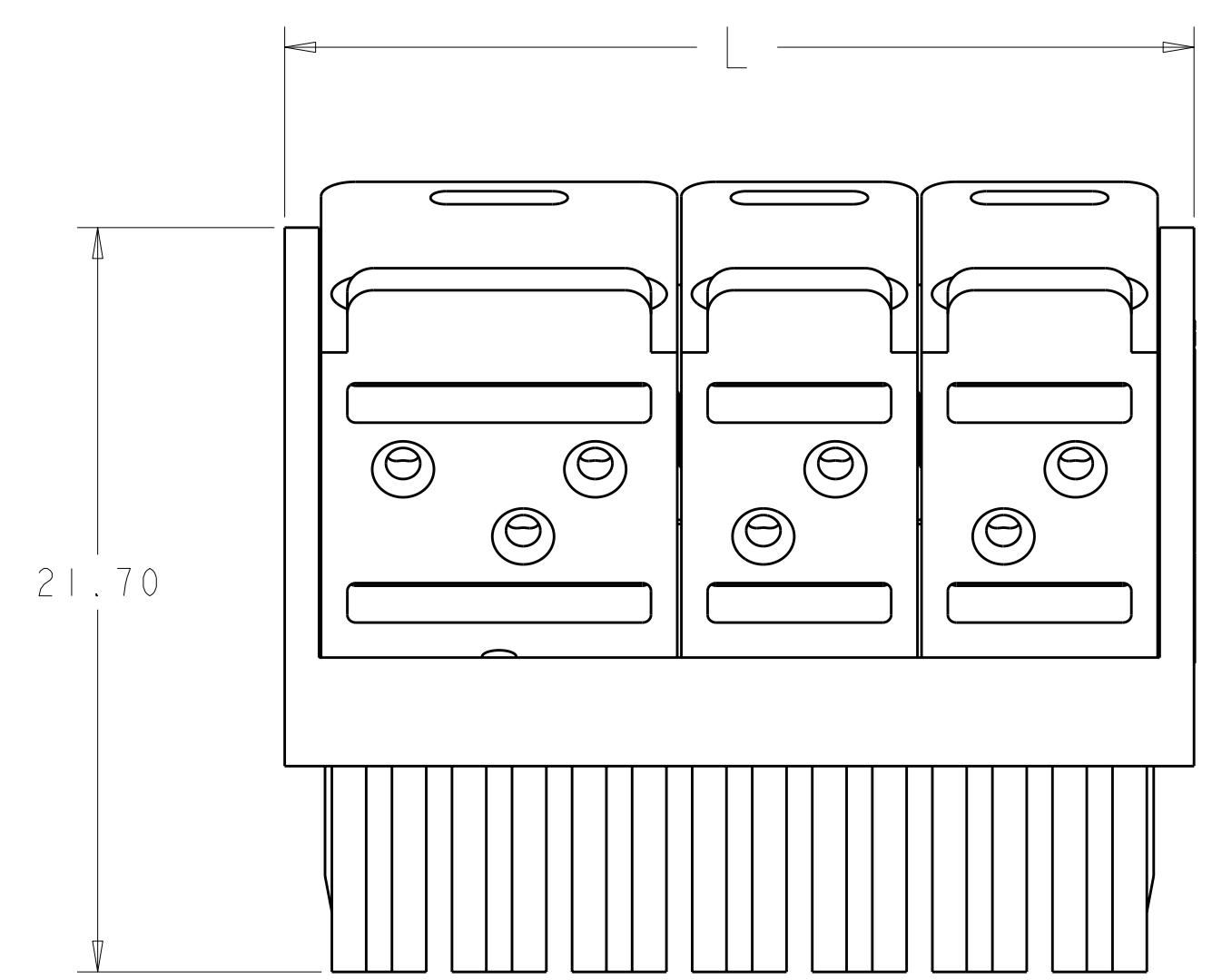
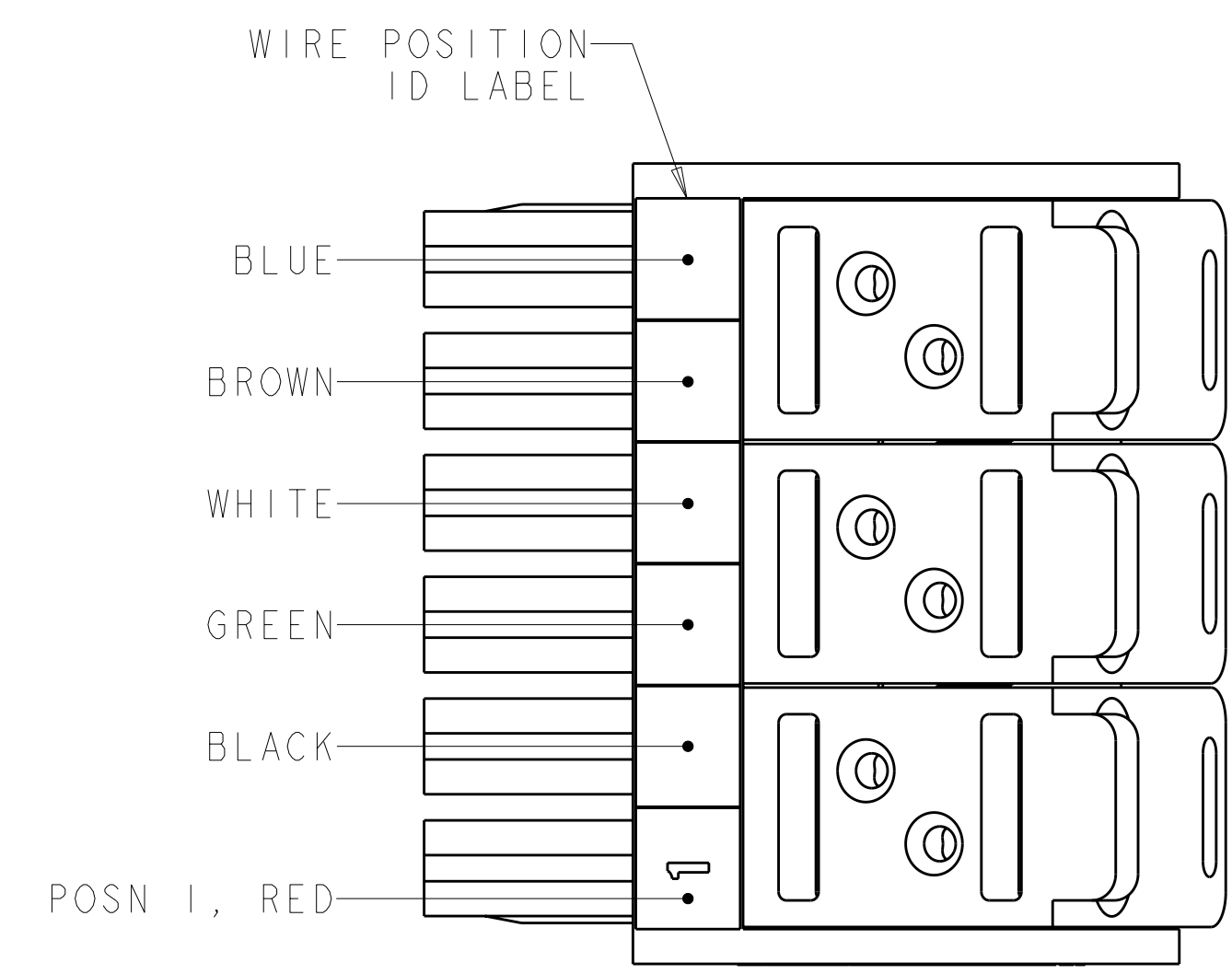
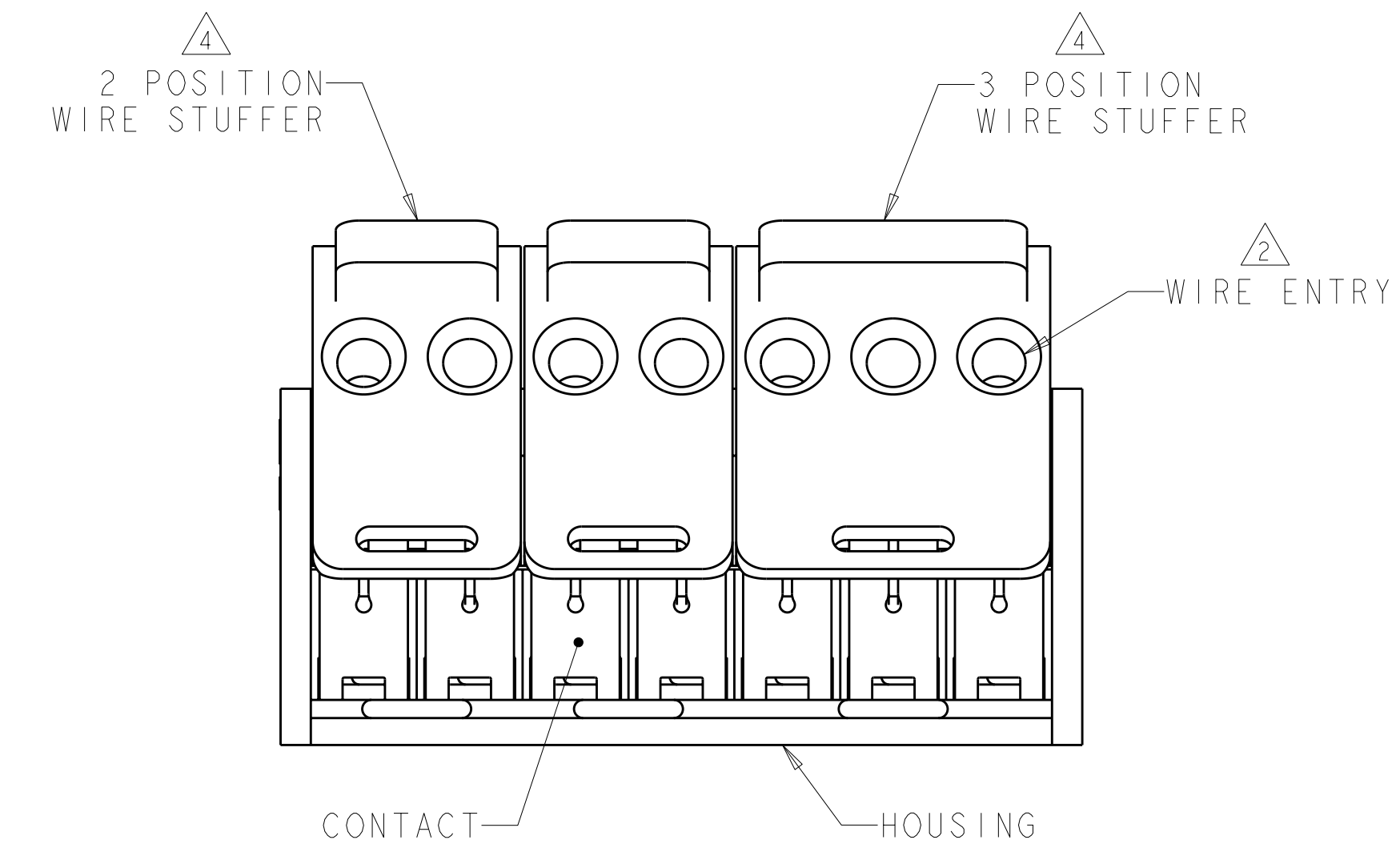
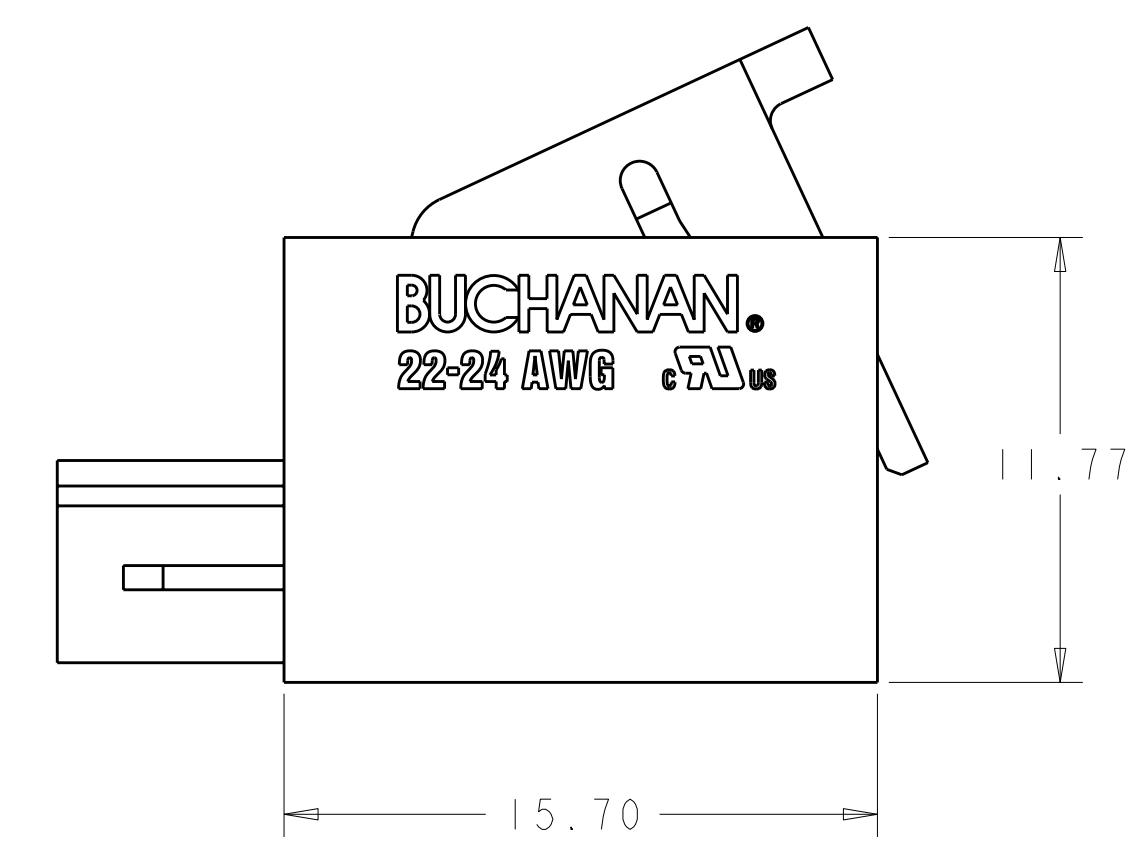
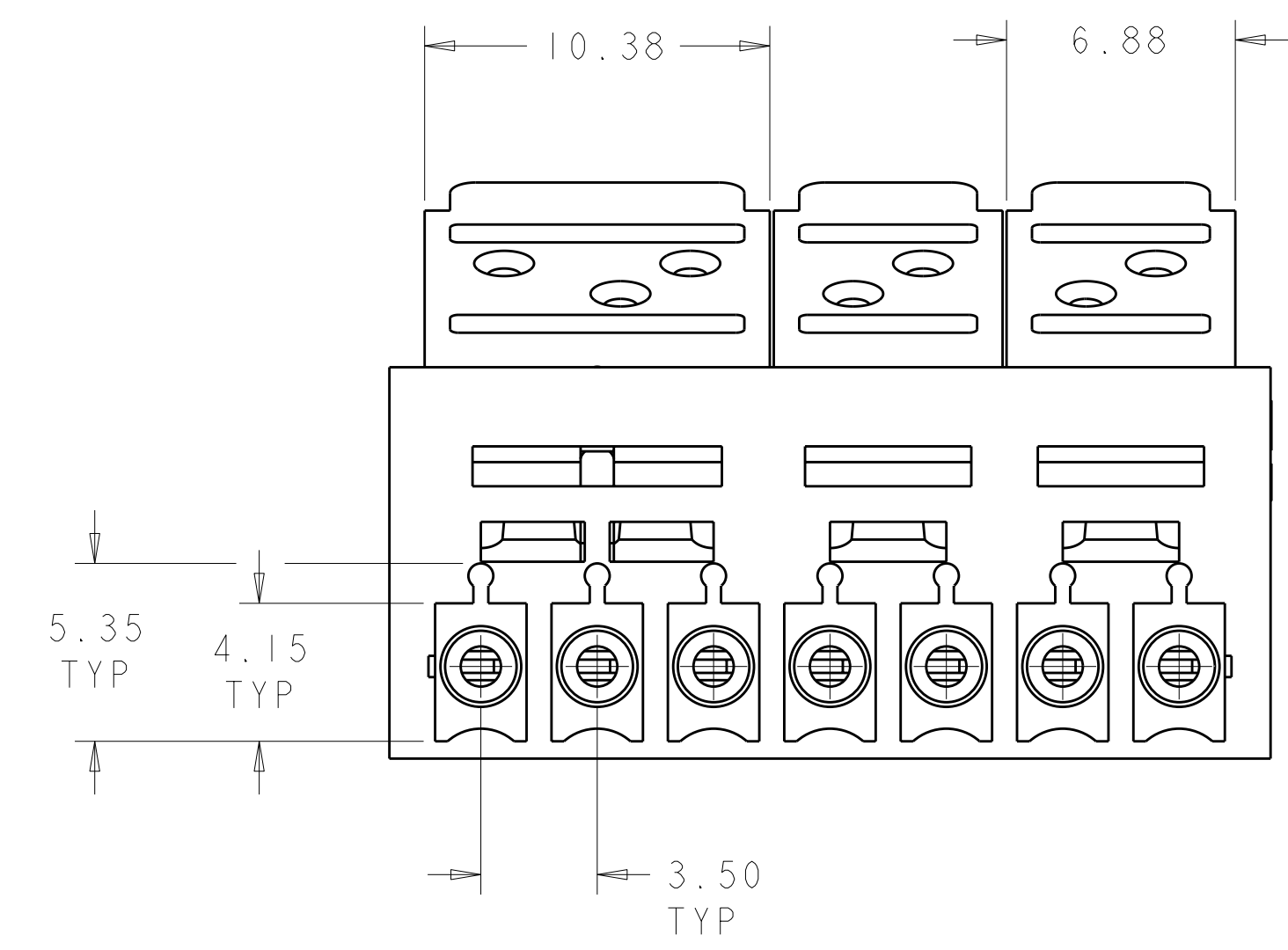


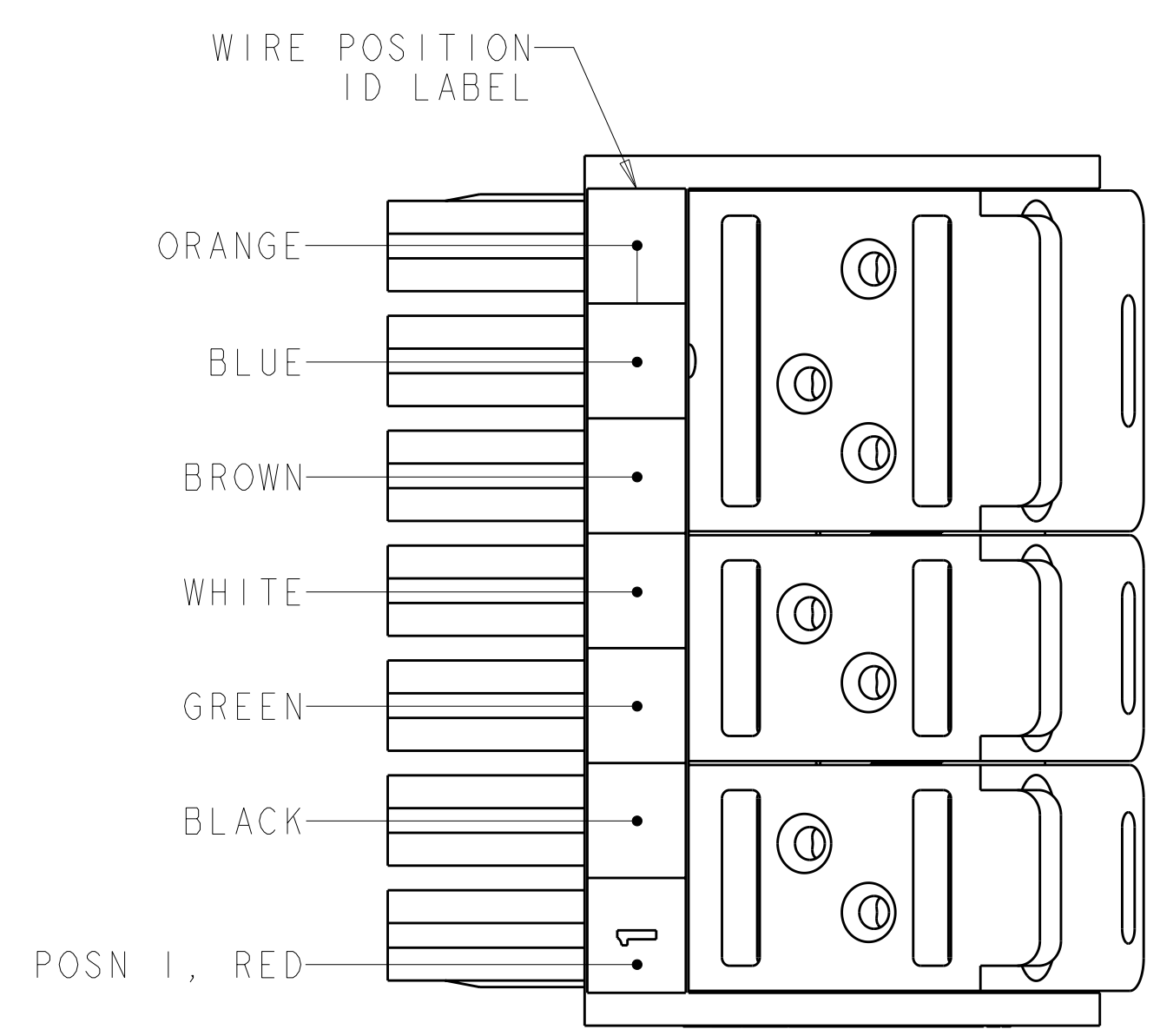
LOC	DIST	REVISIONS			
FT	0	REV	DATE	BY	APPD
		B	REVISED PER ECO-11-017647	01DEC11	KH MS



- 1. MATERIAL AND FINISH:  
HOUSING: POLYESTER, COLOR: LIGHT BLUE.  
WIRE STUFFERS: POLYCARBONATE, COLOR: CLEAR.  
CONTACT: COPPER ALLOY, 3.00µm MINIMUM TIN OVER 1.27µm NICKEL.
- 2. WIRE ENTRY ACCEPTS ONE UNSTRIPPED, STRANDED OR SOLID COPPER 22-24 AWG WIRE WITH A MAXIMUM INSULATION DIAMETER OF 1.52mm. RECOMMENDED WIRE INSULATION IS PVC. THIS CONNECTOR MAY NOT FUNCTION CORRECTLY WITH SRPVC OR ANY OTHER RIGID OR SEMI-RIGID INSULATION. CONTACT TYCO FOR ALL OTHER WIRE INSULATION APPROVAL BEFORE USE.
- 3. MATES WITH 3.5mm OPEN AND CLOSED-END INDUSTRY STANDARD HEADERS.
- 4. ODD POSITION ASSEMBLIES USE ONE 3 POSITION WIRE STUFFER LOCATED OVER THE LAST THREE POSITIONS AS SHOWN AND 2 POSITION WIRE STUFFERS FOR REMAINING POSITIONS.
- 5. ASSEMBLIES SHIPPED WITH WIRE STUFFERS IN THE OPEN POSITION.



4-1776279-6  
EVEN POSITION ASSEMBLY



4-1776279-7  
ODD POSITION ASSEMBLY

# OBSOLETE

26.50	7	4-1776279-7
23.00	6	4-1776279-6
58.00	16	1-1776279-6
54.50	15	1-1776279-5
51.00	14	1-1776279-4
47.50	13	1-1776279-3
44.00	12	1-1776279-2
40.50	11	1-1776279-1
37.00	10	1-1776279-0
33.50	9	1776279-9
30.00	8	1776279-8
26.50	7	1776279-7
23.00	6	1776279-6
19.50	5	1776279-5
16.00	4	1776279-4
12.50	3	1776279-3
9.00	2	1776279-2
L	MO OF POSN	PART NUMBER

THIS DRAWING IS A CONTROLLED DOCUMENT.

DIMENSIONS:	TOLERANCES UNLESS OTHERWISE SPECIFIED:	DWN S. WELDON 18MAR2005	CHK C. RICHARD 18MAR2005	APVD C. RICHARD 18MAR2005
mm	0 PLC ±.5 1 PLC ±0.5 2 PLC ±0.13 3 PLC ±0.000 4 PLC ±0.0000	PRODUCT SPEC 108-1981	APPLICATION SPEC 114-13037	WEIGHT -
MATERIAL	FINISH	NAME: PIVOT BLOCK ASSEMBLY, 22-24 AWG, LIGHT BLUE, 3.5mm SIZE: CAGE CODE DRAWING NO. RESTRICTED TO A100779C=1776279 SCALE 5:1 SHEET 1 OF 1 REV B		

STC TE Connectivity