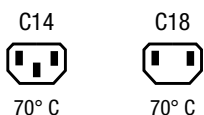


IEC Appliance Inlet C14 or C18 with Line Switch 2 pole and Fuseholder 2-pole



**Description**

- Panel Mount:  
Snap-in or screw-on mounting, from front side Appliance Inlet, protection class I or II, Fuseholder for fuse-links 5 x 20 mm, Line Switch 1- or 2-pole
- Solder terminals or quick connect terminals

**Approvals**

- VDE License Number: 40013344
- UL License Number: E88880
- CSA License Number: 1084381

**Characteristics**

- Line switch non-illuminated or illuminated

**References**

[General Product Information](#)

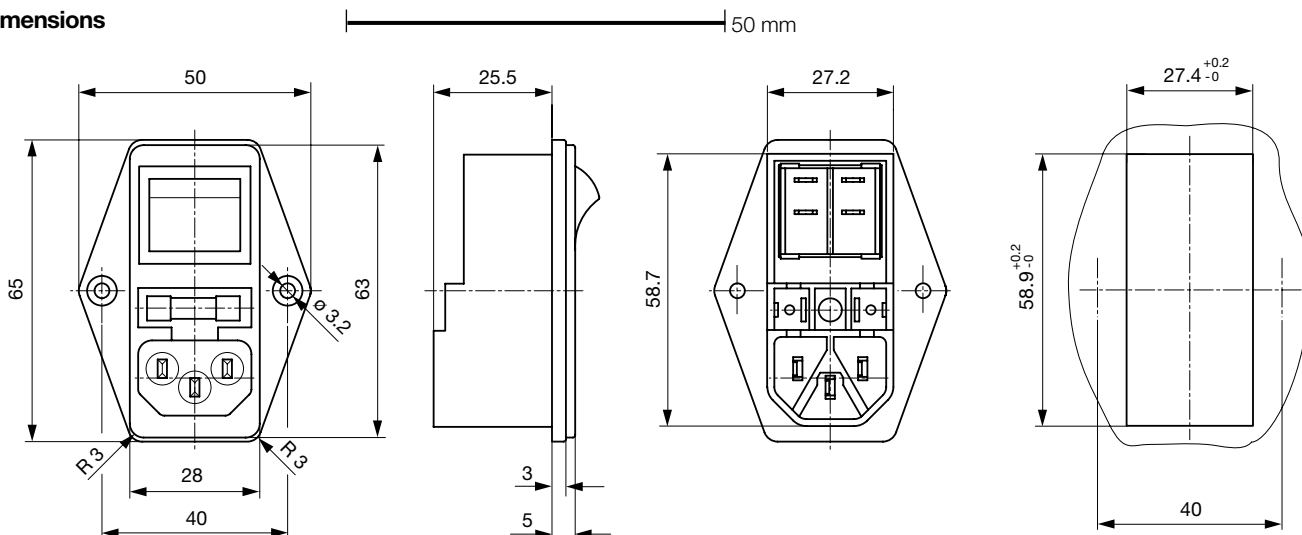
**Weblinks**

[Approvals](#), [RoHS](#), [CHINA-RoHS](#), [Mating Connectors](#), [Distributor-Stock-Check](#), [Accessories](#)

**Technical Data**

Ratings IEC	10A / 250VAC; 50Hz	Appliance Inlet	C14 acc. to IEC/EN 60320-1 UL 498, CSA C22.2 no. 42 (for cold conditions) pin-temperature 70 °C, 10A, Protection Class 1 or 2
Ratings UL/CSA	10A / 250VAC; 60Hz	Fuseholder	1-pole, acc. to IEC 60127-6, for fuse-links 5 x 20mm
Dielectric Strength	> 3 kVAC between L-N > 1.5 kVAC between L/N-PE (1 min/50Hz)	Power Acceptance @ Ta > 23°C	Admissible power acceptance at higher ambient temperature see derating curves
Allowable Operation Temp.	-25 °C to 70 °C	Line Switch	Rocker switch 1 or 2 pole, non-illuminated or illuminated black, acc. to IEC 61058-1 <a href="#">Technical details</a>
Degree of Protection	from front side IP 20 acc. to IEC 60529		
Protection Class	Suitable for appliances with protection class 1 or 2 acc. to IEC 61140		
Terminal	Solder terminals or quick connect terminals		
Panel Thickness s	Screw Mounting screw torque max 0.5Nm Snap-in 1.0 - 1.5/2.0 - 2.5 mm		
Material: Housing	black, UL 94V-0		

**Dimensions**



Length of the terminal please find at the order code configuration table

## Config. Code

Product Configurator

6762 - H - ABCN - D - EGOP


The characters are placeholders for the correspondingly keys of selections from the key tables.

## 6762 - H - ABCN - D - EGOP = Type

Type	Configuration key
protection class 2	B
protection class 1	X

## 6762 - H - A BCN - D - EGOP = Terminals

Terminal L	Configuration key
solder terminal	1
long solder terminal (L=8,5mm)	3
blade terminal (2,8x0,8mm)	7
blade terminal (4,8x0,8mm)	8
blade terminal (6,3x0,8mm)	9



## 6762 - H - A B CN - D - EGOP = Terminals

Terminal N	Configuration key
solder terminal	1
long solder terminal (L=8,5mm)	3
blade terminal (2,8x0,8mm)	7
blade terminal (4,8x0,8mm)	8
blade terminal (6,3x0,8mm)	9

Symbols similar as in table A

## 6762 - H - AB C N - D - EGOP = Terminals

Terminal Ground	Configuration key
without terminal	0
solder terminal	1
long solder terminal (L=8,5mm)	3
blade terminal (2,8x0,8mm)	7
blade terminal (4,8x0,8mm)	8
blade terminal (6,3x0,8mm)	9

Symbols similar as in table A

## 6762 - H - ABC N - D - EGOP = Terminal Fuseholder

Terminal Fuseholder	Configuration key
solder terminal	1
blade terminal (4,8x0,8mm)	8

## 6762 - H - ABCN - D - EGOP = Color

Color	Configuration key
jet black; RAL9005	A
standard color: black	

## 6762 - H - ABCN - D - E GOP = Style

Style	Configuration key
flange with countersunk holes	1
flange with through holes	2
snap-in standard type	3
insert type	5

## 6762 - H - ABCN - D - E GOP = Dimension X

Dimension "X"	Configuration key
00	
The dimension "X" is displayed in ( $1/_{10}$ mm). This information is also valid for the order code	

## 6762 - H - ABCN - D - EG OP = Features

Features	Configuration key
dead cover	1
holder for 1 fuse (text legible, when inlet on top)	2
holder for 1 fuse (text legible, when inlet on bottom)	3

## 6762 - H - ABCN - D - EGOP = Latching Action Switch

Latching Action Switch	Configuration key
dead cover	1
unipolar switch, 4,8mm blade terminal, black rocker	2
unipolar switch, solder terminal, black rocker	3
bipolar switch, 4,8mm blade terminal, black rocker	4
bipolar switch, solder terminals, black rocker	5
bipolar switch, 4,8mm blade terminal, rocker red illuminated	6
bipolar switch, solder terminal, rocker red illuminated	7
bipolar switch, 4,8mm blade terminals, rocker green illuminated	8
bipolar switch, solder terminals, rocker green illuminated	9



Config. Code	Description	Order Number
6762-X-9998-A-10024	6762, IEC Power Entry Module C14, 70°C, version: 1 or 2, L: blade terminal (6,3x0,8mm), N: blade terminal (6,3x0,8mm), ground: blade terminal (6,3x0,8mm), fuseholder: blade terminal (4,8x0,8mm), color: jet black; RAL9005, design: flange with countersunk holes, dimension X: 00, features: holder for 1 fuse (text legible, when inlet on top), bipolar switch, 4,8mm blade terminal, black rocker	4304.6070
6762-X-9998-A-10026	6762, IEC Power Entry Module C14, 70°C, version: 1 or 2, L: blade terminal (6,3x0,8mm), N: blade terminal (6,3x0,8mm), ground: blade terminal (6,3x0,8mm), fuseholder: blade terminal (4,8x0,8mm), color: jet black; RAL9005, design: flange with countersunk holes, dimension X: 00, features: holder for 1 fuse (text legible, when inlet on top), bipolar switch, 4,8mm blade terminal, rocker red illuminated	4304.6071
6762-X-9998-A-30024	6762, IEC Power Entry Module C14, 70°C, version: 1 or 2, L: blade terminal (6,3x0,8mm), N: blade terminal (6,3x0,8mm), ground: blade terminal (6,3x0,8mm), fuseholder: blade terminal (4,8x0,8mm), color: jet black; RAL9005, design: snap-in standard type, dimension X: 00, features: holder for 1 fuse (text legible, when inlet on top), bipolar switch, 4,8mm blade terminal, black rocker	4304.6072
6762-X-8881-A-30024	6762, IEC Power Entry Module C14, 70°C, version: 1 or 2, L: blade terminal (4,8x0,8mm), N: blade terminal (4,8x0,8mm), ground: blade terminal (4,8x0,8mm), fuseholder: solder terminal, color: jet black; RAL9005, design: snap-in standard type, dimension X: 00, features: holder for 1 fuse (text legible, when inlet on top), bipolar switch, 4,8mm blade terminal, black rocker	4304.6120

The listed variants should be available from stock. Other versions on request [www.schurter.com/contact](http://www.schurter.com/contact)

**Packaging unit** 50 Pcs

## Mating Outlets/Connectors

### Category / Description

#### Connector Overview complete



IEC Connector C15, Rewireable, Straight	0101
IEC Connector C15A, Rewireable, Straight	0102
IEC Connector C15A, Rewireable, Straight	0102-G
IEC Connector C15A, Rewireable, Angled	0112
IEC Connector C13, Rewireable, Angled	4012
<a href="#">Connector further types to 6762</a>	...

#### Power Cord Overview complete



Power Cord with IEC Connector C13, Angled	0311
Power Cord with IEC Connector C13, Angled	3011
Power Cord with IEC Connector C13, Angled	3012
Power Cord with IEC Connector C13, Angled	3013
Power Cord with IEC Connector C13	3020
<a href="#">Power Cord further types to 6762</a>	...

#### Power Supply or Interconnection Cord Overview complete



Divers Power Supply and Interconnection Cords 10 A	6000.0214
Divers Power Supply and Interconnection Cords 10 A	6000.0224
Divers Power Supply and Interconnection Cords 10 A	6003.0204
Divers Power Supply and Interconnection Cords 10 A	6003.0205
Divers Power Supply and Interconnection Cords 10 A	6003.0215
<a href="#">Power Supply or Interconnection Cord further types to 6762</a>	...