

LUMAWISE PHOTO CONTROL BASE, SLEEVE AND COVER

TE Connectivity (TE)'s ANSI 136.41 compliant 76 mm and 81 mm diameter photo control base assemblies with sleeves and covers in varying heights, providing a total power and signal interface between the photo control and dimming receptacle. This interface can be used in applications such as LED outdoor roadway, street and area lighting fixtures. The base assembly solution includes power twist lock terminals, spring leaf signal terminals and a separately packaged foam gasket. When coupled with the 5VA rated cover or in combination with side or topside aperture opening colored sleeves, the fully assembled photo control achieves an IP66 seal rating.



Applications

- Parking lots
- Pathway and trails
- Parks
- Car dealerships

Electrical

- Positions: 5P, 7P

Mechanical

- Operating Temperature Range: -40°C to +105° C

Specifications

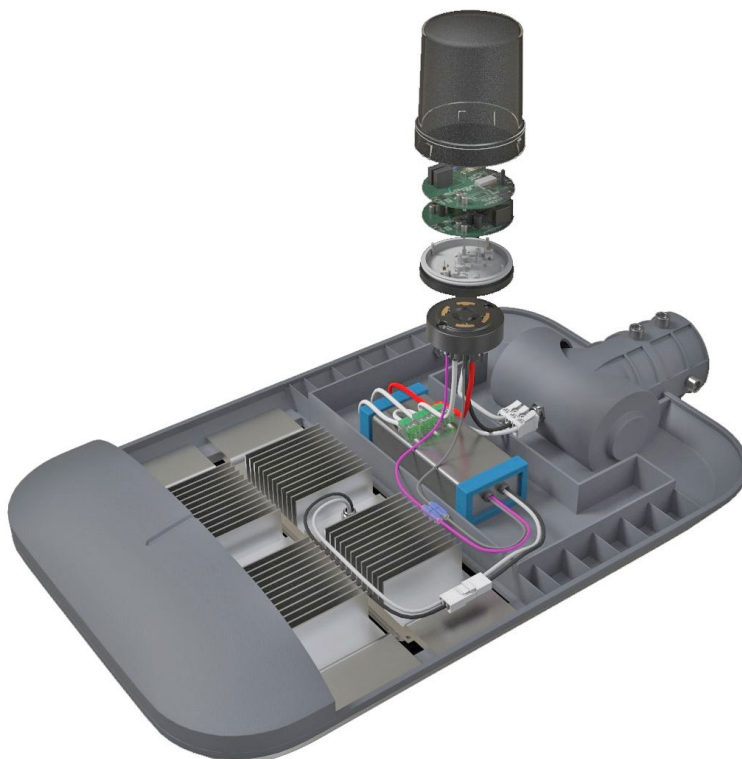
- Product Specification: [108-32125](#) ANSI C136.41-2013 Dimming Light Controller Base
- Application Specification: [114-32159](#) ANSI C136.41-2013 Dimming Light Controller Base Assembly and Cover

Materials

- Contact Plating: Tin plated power contacts and gold plated signal contacts
- Housing Color: Base (black) - Cover (clear and transparent)
- Housing Material: Base (94 V0) - Cover (Polycarbonate)
PBT (black) - Sleeve

Key Benefits

- Achieve an integrated TE solution that integrates power and signal interface to the dimming receptacle to ensure aiming at long term reliability
- Translucent covers are configured to transmit daylight to the light sensing device
- Achieve protection against dust and heavy jet spray with an IP66 rated solution
- Meets the UL 94 flammability rating with a 5V A rated cover
- Maximize effectiveness of light sensing devices with optional clear covers
- Sleeves are designed with side or topside aperture openings to accommodate directional light sensing devices
- Colored sleeves are available that designate voltage rating or in support of customer specific requests



Product Selection Information

76 mm Base and Cover

	Part Number	Description	Color	Height
	2306128-1	Cover, Light Controller	Translucent	50 mm
	1-2306128-1	Cover, Light Controller	Clear	50 mm
	(Pending)	Cover, Light Controller	Translucent	75 mm
	(Pending)	Cover, Light Controller	Clear	75 mm
	2213748-1	Cover, Light Controller	Translucent	98 mm
	1-2213748-1	Cover, Light Controller	Clear	98 mm
	2306129-1	Cover, Light Controller	Translucent	130 mm
	1-2306129-1	Cover, Light Controller	Clear	130 mm
	2306132-1	Sleeve, Controller - Side Hole	Black	50 mm
	1-2306132-1	Sleeve, Controller - Top Hole	Black	50 mm
	2213805-1	Sleeve, Controller - Top Hole	Black	98 mm
	1-2213805-1	Sleeve, Controller - Side Hole	Black	98 mm
	2213805-2	Sleeve, Controller - Top Hole	White Aluminum	98 mm
	2-2213805-0	Sleeve, Controller - No Hole	Blue	98 mm
	2306133-1	Sleeve, Controller - Side Hole	Black	130 mm
	1-2306133-1	Sleeve, Controller - Top Hole	Black	130 mm
	2213730-1	Light Controller Base Assembly - 7 Position		
	2213871-1	Light Controller Base Assembly - 7 Position*		
	1-2213871-1	Light Controller Base Assembly - 5 Position*		

*Accepts sleeves

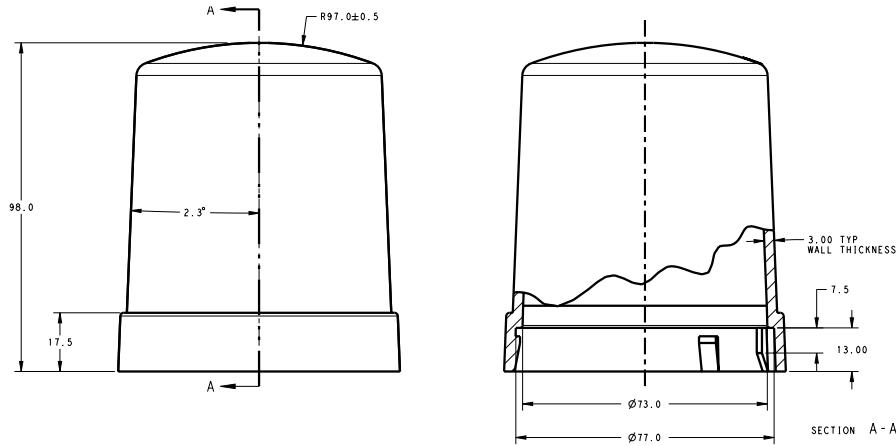


Product Selection Information

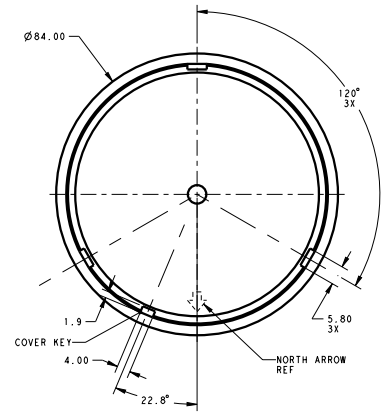
81 mm Base and Cover

	Part Number	Description	Color	Height
	2315539-1	Cover, Light Controller	Translucent	62 mm
	1-2315539-1	Cover, Light Controller	Clear	62 mm
	2306130-1	Cover, Light Controller	Translucent	98 mm
	1-2306130-1	Cover, Light Controller	Clear	98 mm
	2213996-1	Sleeve, Controller - Top Hole	Black	98 mm
	2213996-2	Sleeve, Controller - Top Hole	White Aluminum	98 mm
	1-2213996-1	Sleeve, Controller - Side Hole	Black	98 mm
	2213871-2	Light Controller Base Assembly - 7 Position		
	1-2213871-2	Light Controller Base Assembly - 5 Position		

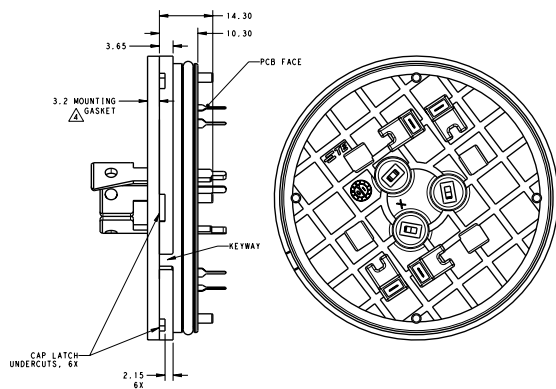
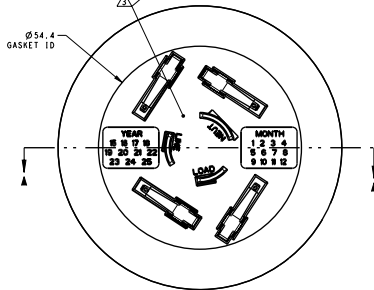
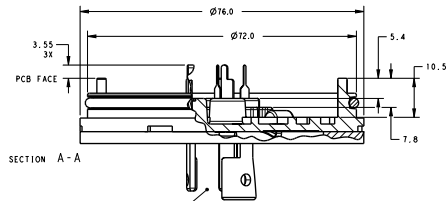
Dimensions



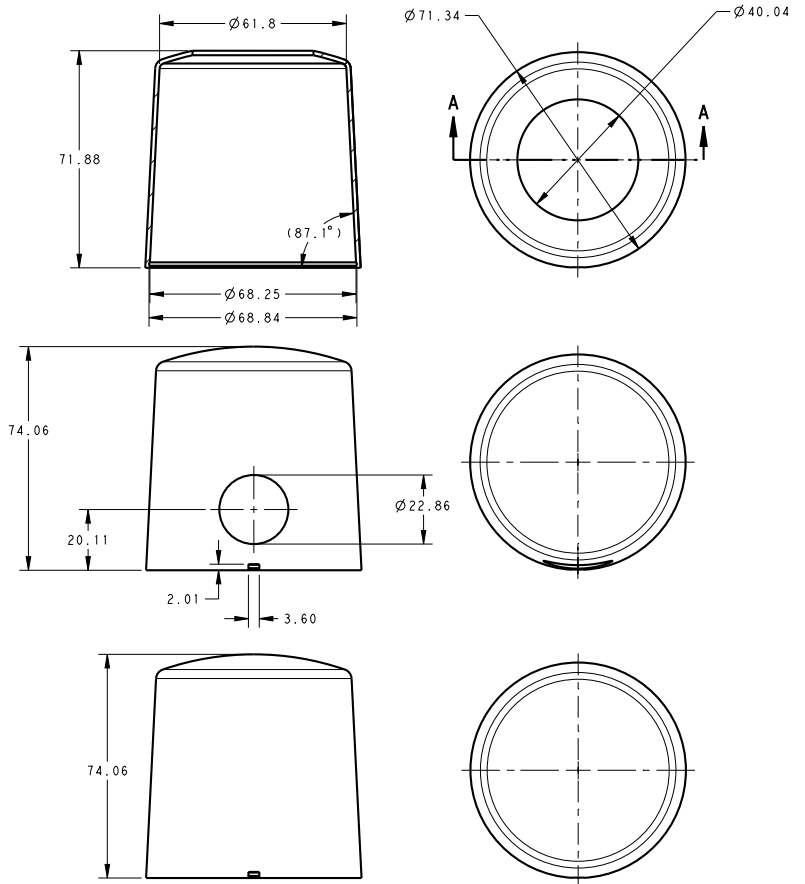
Cover Part Number 2213748-1



Base Part Number 2213730-1



Sleeve Part Number 1-2213805-1



te.com

© 2017 TE Connectivity. All Rights Reserved. LUMAWISE, TE, TE Connectivity, and the TE connectivity (logo) are trademarks of the TE Connectivity Ltd. family of companies. Other logos, product and Company names mentioned herein may be trademarks of their respective owners.

While TE has made every reasonable effort to ensure the accuracy of the information in this brochure, TE does not guarantee that it is error-free, nor does TE make any other representation, warranty or guarantee that the information is accurate, correct, reliable or current. TE reserves the right to make any adjustments to the information contained herein at any time without notice. TE expressly disclaims all implied warranties regarding the information contained herein, including, but not limited to, any implied warranties of merchantability or fitness for a particular purpose. The dimensions in this catalog are for reference purposes only and are subject to change without notice. Specifications are subject to change without notice. Consult TE for the latest dimensions and design specifications.

1-1773879-1 JN 6/2017

USA: +1 (800) 522-6752
 Canada: +1 (905) 475-6222
 Mexico: +52 (0) 55-1106-0800
 Latin/S. America: +54 (0) 11-4733-2200
 Germany: +49 (0) 6251-133-1999
 UK: +44 (0) 800-267666
 France: +33 (0) 1-3420-8686
 The Netherlands: +31 (0) 73-6246-999
 China: +86 (0) 400-820-6015

Mouser Electronics

Authorized Distributor

Click to View Pricing, Inventory, Delivery & Lifecycle Information:

[TE Connectivity:](#)

[2306130-1](#)