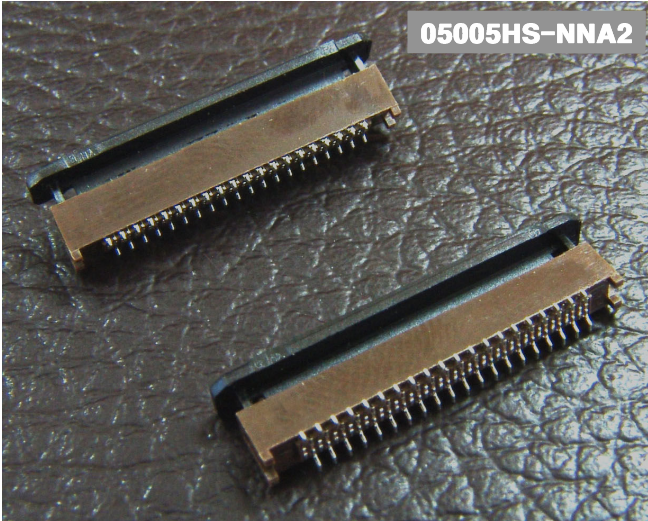


# 0.50mm

## (0.02") PITCH CONNECTOR



**05005HS-NNA2**

### Material

I/NO	DESCRIPTION	MATERIAL
1	HOUSING	PPS, UL94V-0
2	ACTUATOR	PPS, UL94V-0
3	TERMINAL	Phosphor Bronze, Au-plated

**FPC/FFC  
Connectors**

### Housing

Emboss  
Type

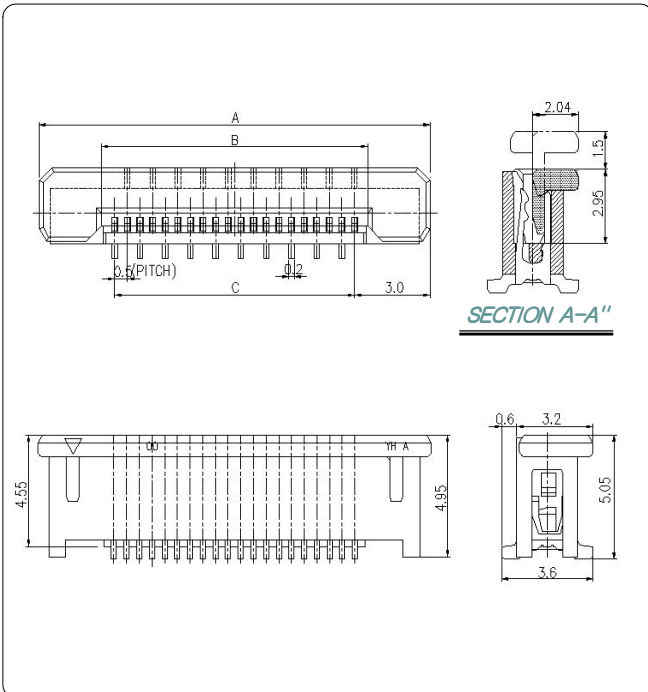
SMT  
Type

ZIF  
Type

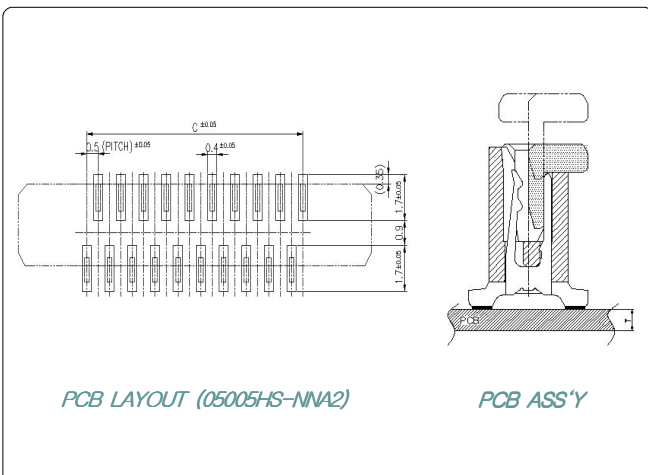
Vertical  
Type

### Available Pin

PARTS NO.	A	B	C
05005HS-20A2	16.0	10.5	9.5
05005HS-21A2	16.5	11.0	10.0
05005HS-22A2	17.0	11.5	10.5
05005HS-23A2	17.5	12.0	11.0
05005HS-24A2	18.0	12.5	11.5
05005HS-25A2	18.5	13.0	12.0
05005HS-26A2	19.0	13.5	12.5
05005HS-27A2	19.5	14.0	13.0
05005HS-28A2	20.0	14.5	13.5
05005HS-29A2	20.5	15.0	14.0
05005HS-30A2	21.0	15.5	14.5
05005HS-31A2	21.5	16.0	15.0
05005HS-32A2	22.0	16.5	15.5
05005HS-33A2	22.5	17.0	16.0
05005HS-34A2	23.0	17.5	16.5
05005HS-35A2	23.5	18.0	17.0
05005HS-36A2	24.0	18.5	17.5
05005HS-37A2	24.5	19.0	18.0
05005HS-38A2	25.0	19.5	18.5
05005HS-39A2	25.5	20.0	19.0
05005HS-40A2	26.0	20.5	19.5
05005HS-41A2	26.5	21.0	20.0
05005HS-42A2	27.0	21.5	20.5
05005HS-43A2	27.5	22.0	21.0
05005HS-44A2	28.0	22.5	21.5
05005HS-45A2	28.5	23.0	22.0
05005HS-46A2	29.0	23.5	22.5
05005HS-47A2	29.5	24.0	23.0
05005HS-48A2	30.0	24.5	23.5
05005HS-49A2	30.5	25.0	24.0
05005HS-50A2	31.0	25.5	24.5



**SECTION A-A''**



**PCB LAYOUT (05005HS-NNA2)**

**PCB ASS'Y**

### Specification

ITEM	SPEC
Voltage Rating	AC/DC 50V
Current Rating	AC/DC 0.5A
Operating Temperature	-25°C ~ +85°C
Contact Resistance	30mΩ MAX
Withstanding Voltage	AC250V/1min
Insulation Resistance	100MΩ MIN
Applicable Wire	-
Applicable P.C.B	0.8 ~ 1.6mm
Applicable FPC/FFC	0.30±0.02mm
Solder Height	0.15mm
Crimp Tensile Strength	-
UL FILE NO	-