

PLEASE CHECK WWW.MOLEX.COM FOR LATEST PART INFORMATION

Part Number: **0444751021**
Status: **Active**
Description: 4.20mm (.165") Pitch Mini-Fit, HCS™ Receptacle Header, Dual Row, Vertical, Blind Mating, with Snap-in Plastic Pegs, 10 Circuits

Documents:

[3D Model](#) [Product Specification PS-44476-001 \(PDF\)](#)
[Drawing \(PDF\)](#) [RoHS Certificate of Compliance \(PDF\)](#)

Agency Certification

CSA LR19980
 UL E29179

General

Product Family PCB Receptacles
 Series [44475](#)
 Application Board-to-Board, Wire-to-Board
 Comments Solder Type|With Pegs
 Product Name Mini-Fit HCS™

Physical

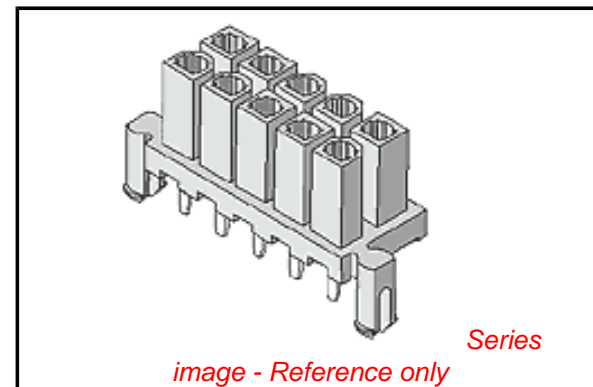
Circuits (Loaded) 10
 Color - Resin Natural (White)
 Durability (mating cycles max) 30
 Flammability 94V-0
 Glow-Wire Compliant No
 Material - Metal Copper
 Material - Plating Mating Tin
 Material - Plating Termination Tin
 Material - Resin Nylon
 Number of Rows 2
 Orientation Vertical
 PCB Locator Yes
 PCB Retention Yes
 PCB Thickness Recommended (in) 0.070 In
 PCB Thickness Recommended (mm) 1.80 mm
 Packaging Type Tray
 Pitch - Mating Interface (in) 0.165 In
 Pitch - Mating Interface (mm) 4.20 mm
 Plating min: Mating (µin) 100
 Plating min: Mating (µm) 2.50
 Plating min: Termination (µin) 100
 Plating min: Termination (µm) 2.50
 Polarized to PCB Yes
 Surface Mount Compatible (SMC) No
 Temperature Range - Operating -40°C to +105°C
 Termination Interface: Style Through Hole

Electrical

Current - Maximum per Contact 11A
 Voltage - Maximum 600V

Solder Process Data

Duration at Max. Process Temperature (seconds) 5
 Lead-free Process Capability Wave Capable (TH only)
 Max. Cycles at Max. Process Temperature 1
 Process Temperature max. C 240



EU RoHS

ELV and RoHS Compliant
REACH SVHC
 Not Reviewed
Halogen-Free Status

China RoHS



Need more information on product environmental compliance?

Email productcompliance@molex.com
 For a multiple part number RoHS Certificate of Compliance, [click here](#)

Please visit the [Contact Us](#) section for any non-product compliance questions.

Search Parts in this Series

[44475Series](#)

Mates With

[44068](#) , [42404](#) , [44474](#) , [43810](#) , [42475](#)

Material Info

Reference - Drawing Numbers

Product Specification

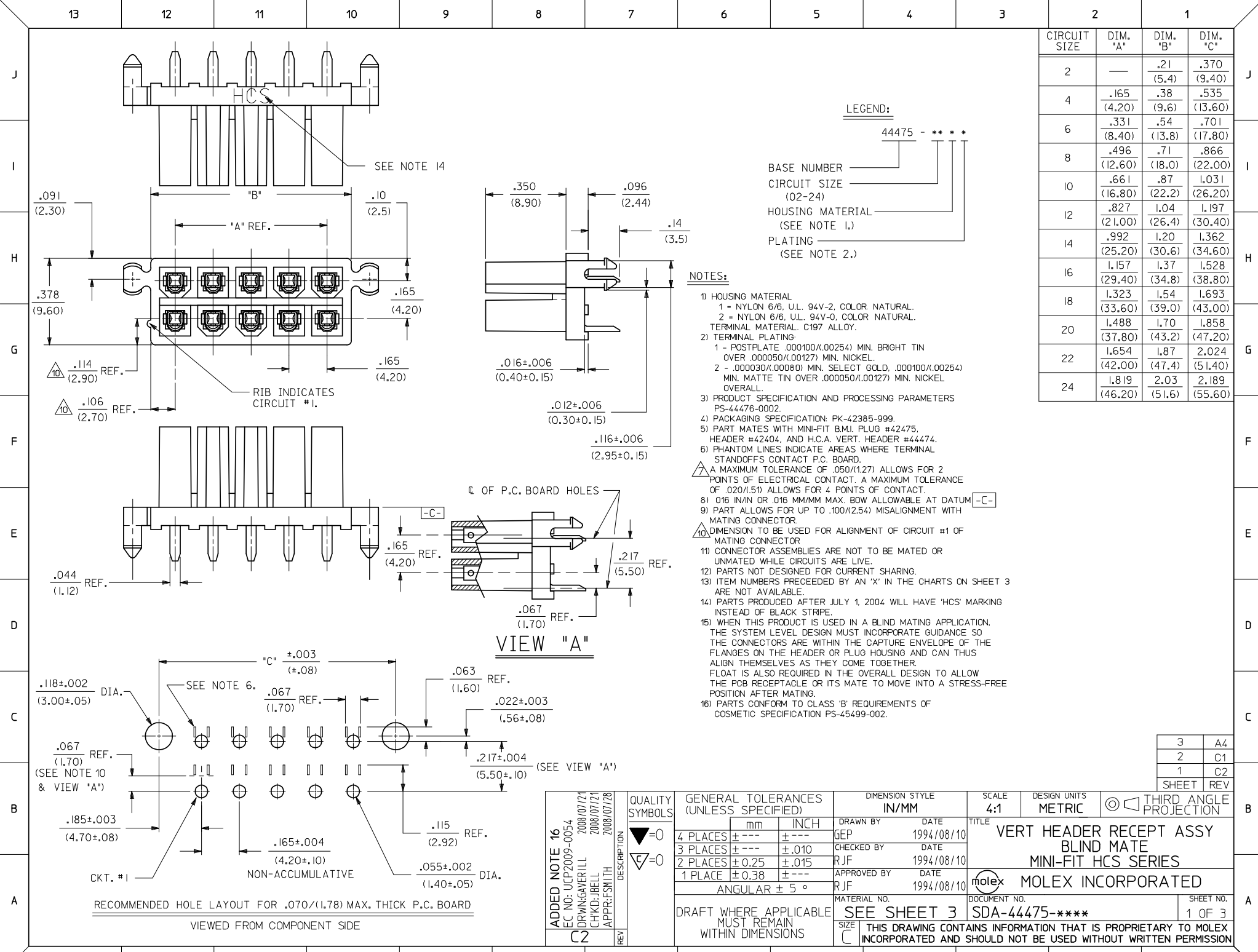
Sales Drawing

PS-44476-001, RPS-44476-001

SDA-44475-****

This document was generated on 04/09/2010

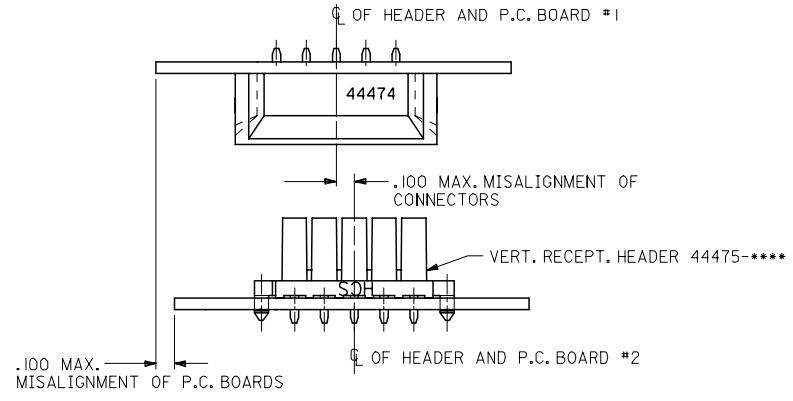
PLEASE CHECK WWW.MOLEX.COM FOR LATEST PART INFORMATION



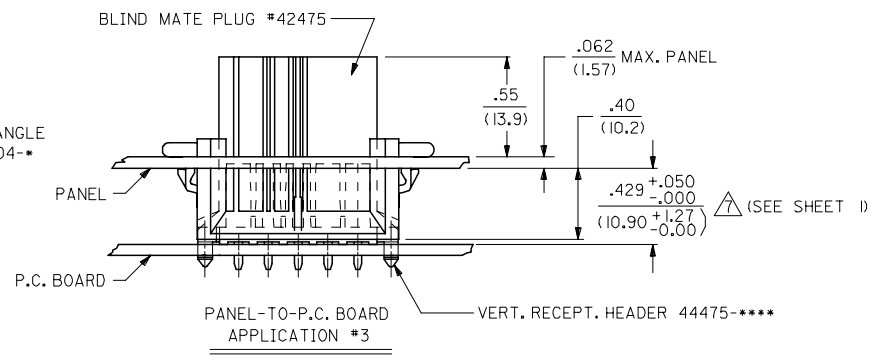
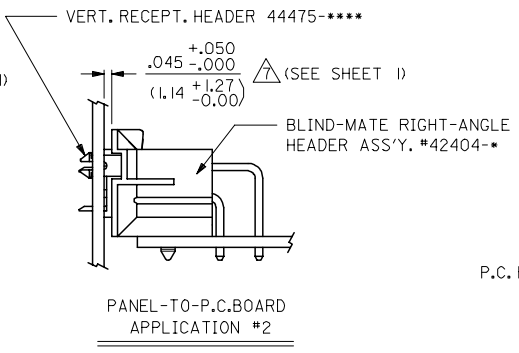
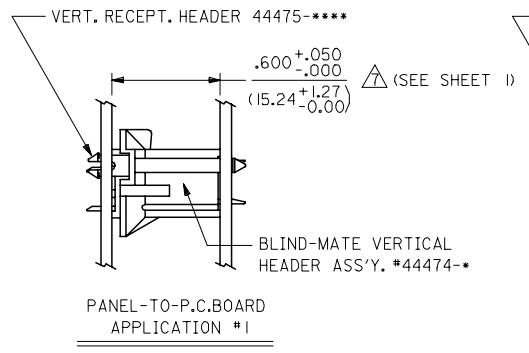
| CIRCUIT SIZE | DIM. "A" | DIM. "B" | DIM. "C" |
|--------------|------------------|----------------|------------------|
| 2 | — | .21 (5.4) | .370 (9.40) |
| 4 | .165 (4.20) | .38 (9.6) | .535 (13.60) |
| 6 | .331 (8.40) | .54 (13.8) | .701 (17.80) |
| 8 | .496 (12.60) | .71 (18.0) | .866 (22.00) |
| 10 | .661 (16.80) | .87 (22.2) | 1.031 (26.20) |
| 12 | .827 (21.00) | 1.04 (26.4) | 1.197 (30.40) |
| 14 | .992 (25.20) | 1.20 (30.6) | 1.362 (34.60) |
| 16 | 1.157 (29.40) | 1.37 (34.8) | 1.528 (38.80) |
| 18 | 1.323 (33.60) | 1.54 (39.0) | 1.693 (43.00) |
| 20 | 1.488 (37.80) | 1.70 (43.2) | 1.858 (47.20) |
| 22 | 1.654 (42.00) | 1.87 (47.4) | 2.024 (51.40) |
| 24 | 1.819 (46.20) | 2.03 (51.6) | 2.189 (55.60) |

| | |
|-----------|----|
| 3 | A4 |
| 2 | C1 |
| 1 | C2 |
| SHEET REV | |

| | | | | | | |
|--|-------------------------------|--|---|-------------------------------------|---|------------------------|
| ADDED NOTE 16 EC NO: UCP2009-0054 DRWN: GAVERILL 2008/07/21 CHKD: JEBELL 2008/07/21 APPR: FSMITH 2008/07/28 | QUALITY SYMBOLS ▽=0 ▽=0 | GENERAL TOLERANCES (UNLESS SPECIFIED) mm INCH | DIMENSION STYLE IN/MM | SCALE 4:1 | DESIGN UNITS METRIC | THIRD ANGLE PROJECTION |
| | | DRAWN BY DATE GEP 1994/08/10 | CHECKED BY DATE R/JF 1994/08/10 | APPROVED BY DATE R/JF 1994/08/10 | TITLE VERT HEADER RECEPT ASSY BLIND MATE MINI-FIT HCS SERIES | MOLEX INCORPORATED |
| DRAFT WHERE APPLICABLE MUST REMAIN WITHIN DIMENSIONS | MATERIAL NO. SEE SHEET 3 | DOCUMENT NO. SDA-44475-**** | THIS DRAWING CONTAINS INFORMATION THAT IS PROPRIETARY TO MOLEX INCORPORATED AND SHOULD NOT BE USED WITHOUT WRITTEN PERMISSION | | | |



ALIGNMENT TOLERANCES FOR .100 MAX. BOARD-TO-BOARD MISALIGNMENT
(NO CONNECTOR FLOAT)



SEE NOTE 15

| | | | | | | | | | |
|---|-------------------------------|---------------------------------------|-----------------------|--------------------------|--------------------|---|------------------------|------------------------|--|
| SEE SHEET 1 FC NO: UCP2006-2258 DRWN:ADRAINOL 2006/04/11 CHKD:GOLGAR 2006/04/11 APPR:ICOMERCJ 2006/04/12 REV: C1 | QUALITY SYMBOLS ▽=0 ▽=0 | GENERAL TOLERANCES (UNLESS SPECIFIED) | | DIMENSION STYLE IN/MM | | SCALE 4:1 | DESIGN UNITS METRIC | THIRD ANGLE PROJECTION | |
| | | 4 PLACES ± --- ± --- | 3 PLACES ± --- ± .015 | DRAWN BY GEP | DATE 1994/08/10 | TITLE VERT HEADER RECEPT ASSY BLIND MATE MINI-FIT HCS SERIES | | | |
| | | 2 PLACES ± 0.38 ± --- | 1 PLACE ± --- ± --- | CHECKED BY RJF | DATE 1994/08/10 | MATERIAL NO. SDA-44475-**** | | | |
| | | ANGULAR ±1/2° | | APPROVED BY RJF | DATE 1994/08/10 | DOCUMENT NO. | | SHEET NO. 2 OF 3 | |
| DRAFT WHERE APPLICABLE MUST REMAIN WITHIN DIMENSIONS | | | | SEE SHEET 3 | | THIS DRAWING CONTAINS INFORMATION THAT IS PROPRIETARY TO MOLEX INCORPORATED AND SHOULD NOT BE USED WITHOUT WRITTEN PERMISSION | | | |

| ITEM NUMBER | CKT. SIZE | HOUSING MATERIAL | PLATING (SEE NOTE 2) |
|--------------|-----------|------------------|----------------------|
| X 44475-0211 | 2 | 94V-2 | I |
| ↑ -0411 | 4 | ↑ | ↑ |
| -0611 | 6 | | |
| X -0811 | 8 | | |
| -1011 | 10 | | |
| X -1211 | 12 | | |
| -1411 | 14 | | |
| X -1611 | 16 | | |
| -1811 | 18 | | |
| X -2011 | 20 | | |
| X ↓ -2211 | 22 | ↓ | ↓ |

| | | | |
|--------------|----|-------|---|
| 44475-2411 | 24 | 94V-2 | I |
| X 44475-0221 | 2 | 94V-0 | I |
| ↑ -0421 | 4 | ↑ | ↑ |
| -0621 | 6 | | |
| X -0821 | 8 | | |
| -1021 | 10 | | |
| X -1221 | 12 | | |
| -1421 | 14 | | |
| -1621 | 16 | | |
| -1821 | 18 | | |
| X -2021 | 20 | | |
| X ↓ -2221 | 22 | ↓ | ↓ |
| 44475-2421 | 24 | 94V-0 | I |

| ITEM NUMBER | CKT. SIZE | HOUSING MATERIAL | PLATING (SEE NOTE 2) |
|--------------|-----------|------------------|----------------------|
| X 44475-0222 | 2 | 94V-0 | 2 |
| ↑ -0422 | 4 | ↑ | ↑ |
| -0622 | 6 | | |
| X -0822 | 8 | | |
| -1022 | 10 | | |
| X -1222 | 12 | | |
| -1422 | 14 | | |
| X -1622 | 16 | | |
| -1822 | 18 | | |
| X -2022 | 20 | | |
| X ↓ -2222 | 22 | ↓ | ↓ |
| X 44475-2422 | 24 | 94V-0 | 2 |

| ITEM. NO. | CKT. SIZE | HSG. MAT'L. | TERMINAL PLATING REQUIRED AT EACH CIRCUIT LOCATION: | | | | | | | | | | | | | | | | | | | | | | | |
|------------|-----------|-------------|---|---|---|---|---|---|---|---|---|----|----|----|----|----|----|----|----|----|----|----|----|----|----|----|
| | | | 1 | 2 | 3 | 4 | 5 | 6 | 7 | 8 | 9 | 10 | 11 | 12 | 13 | 14 | 15 | 16 | 17 | 18 | 19 | 20 | 21 | 22 | 23 | 24 |
| 44475-3000 | 24 | 94V-0 | A | A | - | A | - | A | - | A | - | A | A | A | A | A | - | A | - | A | - | A | - | A | A | A |

ITEMS PRECEDED BY "X" ARE NOT AVAILABLE.

| REV. | DATE | BY | REVISIONS |
|------|------|----|--------------|
| A3 | | | SEE SHT. I |
| A1 | | | SEE SHEET #1 |
| A | | | SEE SHT. I |
| I | | | SEE SHT. I |
| LTR. | | | REVISIONS |

| DIMENSIONS SHOWN (METRIC) INCH | |
|--------------------------------|-------------|
| 3 PLACE | ± --- ± --- |
| 2 PLACE | ± --- ± --- |
| 1 PLACE | --- ± --- |

| | | |
|---|---|---------------------------|
| ▽ = 0 | ▼ = 0 | REVISE ONLY ON CAD SYSTEM |
| TITLE VERTICAL RECEPTACLE HEADER ASS'Y., B.M.I., MINI-FIT H.C.S. SERIES) | | |
| MOLEX INCORPORATED LITSE, ILL. 60532 U.S.A. | SHEET NO. 3 | DATE 8/10/94 |
| PART NO. SEE CHART. | DRWG. NO. SDA-44475-**** | |
| FILE NAME S44475X3.DGN | THIS DRAWING CONTAINS INFORMATION THAT IS PROPRIETARY TO MOLEX INC. AND SHOULD NOT BE USED WITHOUT WRITTEN PERMISSION | |

44475

A