

# RL-2535

## MOLDED WIREWOUND CHIP INDUCTORS

### DESCRIPTION

- Molded Chip Inductors

### ENVIRONMENTAL DATA

- Storage temperature range: -40°C to +125°C
- Operating temperature range: -40°C to +130°C

### PACKAGING INFORMATION

- Packaging information: pg. 489, 494

### FEATURES & APPLICATIONS

- Leaching resistant terminations due to metal tab electrodes
- Coils encapsulated in heat-proof resin achieve accurate dimensions and are resistant to mechanical shock or pressure
- High resistance to heat and humidity

Verify operation with sample in actual circuit. Order samples at [www.rencousa.com](http://www.rencousa.com).

### MECHANICAL DIMENSIONS

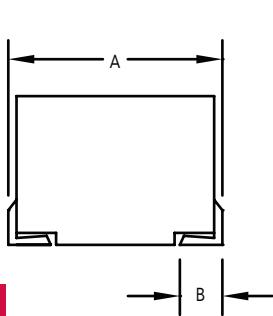
U.S. Standard (mm)

PART NUMBER	A (MAX.)	B (REF.)	C (MAX.)	D (MAX.)	E (REF.)	F (REF.)
RL-2535	0.23 (5.90)	0.028 (0.70)	0.17 (4.30)	0.20 (5.20)	0.043 (1.10)	0.157 (4.0)

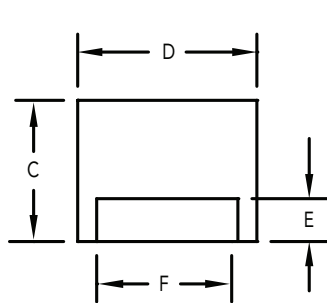
PART NUMBER	PART WEIGHT
RL-2535	0.5g (0.018oz)

G (REF.)	H (REF.)	I (REF.)
0.16 (4.00)	0.18 (4.50)	0.079 (2.00)

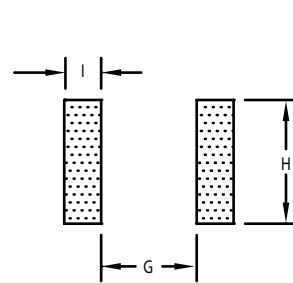
TOP VIEW



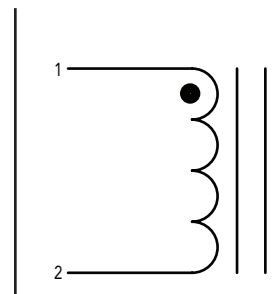
SIDE VIEW



RECOMMENDED LAND PATTERN



SCHEMATIC



# RL-2535

Renco Part No. RL-2535	Inductance ( $\mu$ H)	DCR Max. (Ohms)	$Q$ (MHz, Min) 0.0796	$Q$ (MHz, Min) 0.252	$Q$ (MHz, Min) 0.796	$Q$ (MHz, Min) 2.52	$Q$ (MHz, Min) 7.96	Irms (mA)	SRF MHz
RL-2535-1R0X	1.00	0.030	-	-	-	-	10.0	1800.0	95.00
RL-2535-1R2X	1.20	0.035	-	-	-	-	10.0	1700.0	70.00
RL-2535-1R5X	1.50	0.040	-	-	-	-	10.0	1600.0	55.00
RL-2535-1R8X	1.80	0.050	-	-	-	-	10.0	1400.0	47.00
RL-2535-2R2X	2.20	0.060	-	-	-	-	10.0	1300.0	42.00
RL-2535-2R7X	2.70	0.070	-	-	-	-	10.0	1200.0	37.00
RL-2535-3R3X	3.30	0.080	-	-	-	-	10.0	1120.0	34.00
RL-2535-3R9X	3.90	0.090	-	-	-	-	10.0	1050.0	32.00
RL-2535-4R7X	4.70	0.110	-	-	-	-	10.0	950.0	29.00
RL-2535-5R6X	5.60	0.130	-	-	-	-	10.0	880.0	26.00
RL-2535-6R8X	6.80	0.150	-	-	-	-	10.0	810.0	24.00
RL-2535-8R2X	8.20	0.180	-	-	-	-	10.0	750.0	22.00
RL-2535-100X	10.00	0.210	-	-	-	10.0	-	690.0	19.00
RL-2535-120X	12.00	0.250	-	-	-	10.0	-	630.0	17.00
RL-2535-150X	15.00	0.300	-	-	-	10.0	-	580.0	16.00
RL-2535-180X	18.00	0.360	-	-	-	10.0	-	530.0	14.00
RL-2535-220X	22.00	0.430	-	-	-	10.0	-	480.0	13.00
RL-2535-270X	27.00	0.520	-	-	-	10.0	-	440.0	11.50
RL-2535-330X	33.00	0.620	-	-	-	10.0	-	400.0	10.50
RL-2535-390X	39.00	0.720	-	-	-	10.0	-	370.0	9.50
RL-2535-470X	47.00	0.850	-	-	-	10.0	-	340.0	8.50
RL-2535-560X	56.00	1.000	-	-	-	10.0	-	310.0	7.80
RL-2535-680X	68.00	1.200	-	-	-	10.0	-	290.0	7.00
RL-2535-820X	82.00	1.400	-	-	-	10.0	-	270.0	6.40
RL-2535-101X	100.00	1.600	-	-	20.0	-	-	250.0	6.00
RL-2535-121X	120.00	1.900	-	-	20.0	-	-	230.0	5.40
RL-2535-151X	150.00	2.200	-	-	20.0	-	-	210.0	4.80
RL-2535-181X	180.00	2.800	-	-	20.0	-	-	190.0	4.40
RL-2535-221X	220.00	3.400	-	-	20.0	-	-	170.0	3.90
RL-2535-271X	270.00	4.200	-	-	20.0	-	-	155.0	3.60
RL-2535-331X	330.00	4.900	-	-	20.0	-	-	140.0	3.20
RL-2535-391X	390.00	5.800	-	-	20.0	-	-	130.0	2.90
RL-2535-471X	470.00	7.000	-	-	20.0	-	-	120.0	2.60
RL-2535-561X	560.00	8.500	-	-	20.0	-	-	110.0	2.40
RL-2535-681X	680.00	10.000	-	-	20.0	-	-	100.0	2.20
RL-2535-821X	820.00	13.000	-	-	20.0	-	-	90.0	2.00
RL-2535-102X	1000.00	15.000	-	20.0	-	-	-	85.0	1.80
RL-2535-122X	1200.00	17.000	-	30.0	-	-	-	75.0	1.50

RL-2535 TABLE CONTINUES ON FOLLOWING PAGE

**NOTES:**

1. ELECTRICAL SPECIFICATIONS MEASURED AT 25°C
2. I<sub>rms</sub> - CURRENT THAT CAUSES THE TEMPERATURE TO RISE APPROX. 20°C ABOVE AMBIENT OF 25°C
3. Tolerance Code: J=±5% K=±10% M=±20%



**RENCO ELECTRONICS INC.**



595 International Place, Rockledge, FL 32955-4200 USA • www.rencousa.com • ISO 9001 Certified  
Toll Free Engineering Hot Line: 800.645.5828 • P: 321.637.1000 • F: 321.637.1600

# RL-2535

Renco Part No. RL-2535	Inductance ( $\mu$ H)	DCR Max. (Ohms)	$\Omega$ (MHz, Min) 0.0796	$\Omega$ (MHz, Min) 0.252	$\Omega$ (MHz, Min) 0.796	$\Omega$ (MHz, Min) 2.52	$\Omega$ (MHz, Min) 7.96	I <sub>rms</sub> (mA)	SRF MHz
RL-2535-152X	1500.00	20.000	-	30.0	-	-	-	70.0	1.40
RL-2535-182X	1800.00	30.000	-	30.0	-	-	-	60.0	1.30
RL-2535-222X	2200.00	35.000	-	30.0	-	-	-	55.0	1.20
RL-2535-272X	2700.00	55.000	-	30.0	-	-	-	45.0	1.10
RL-2535-332X	3300.00	60.000	-	30.0	-	-	-	40.0	1.00
RL-2535-392X	3900.00	70.000	-	30.0	-	-	-	38.0	1.00
RL-2535-472X	4700.00	78.000	-	30.0	-	-	-	36.0	0.90
RL-2535-562X	5600.00	85.000	-	30.0	-	-	-	33.0	0.80
RL-2535-682X	6800.00	110.000	-	30.0	-	-	-	30.0	0.70
RL-2535-822X	8200.00	125.000	-	30.0	-	-	-	28.0	0.60
RL-2535-103X	10000.00	150.000	20.0	-	-	-	-	25.0	0.50

## NOTES:

1. ELECTRICAL SPECIFICATIONS MEASURED AT 25°C
2. I<sub>rms</sub> - CURRENT THAT CAUSES THE TEMPERATURE TO RISE APPROX. 20°C ABOVE AMBIENT OF 25°C
3. WHEN HAND SOLDERING, APPLY SOLDER IRON TO THE PRINTED CIRCUIT BOARD ONLY. TEMPERATURE OF THE IRON TIP SHOULD NOT EXCEED 260°C WITH SOLDERING TIME < 3 SECONDS.
4. REFLOW SOLDERING CONDITION: 260°C + /5°C FOR Pb FREE

