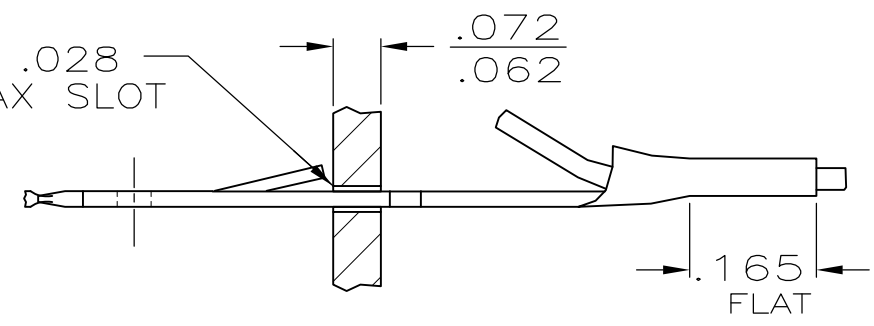
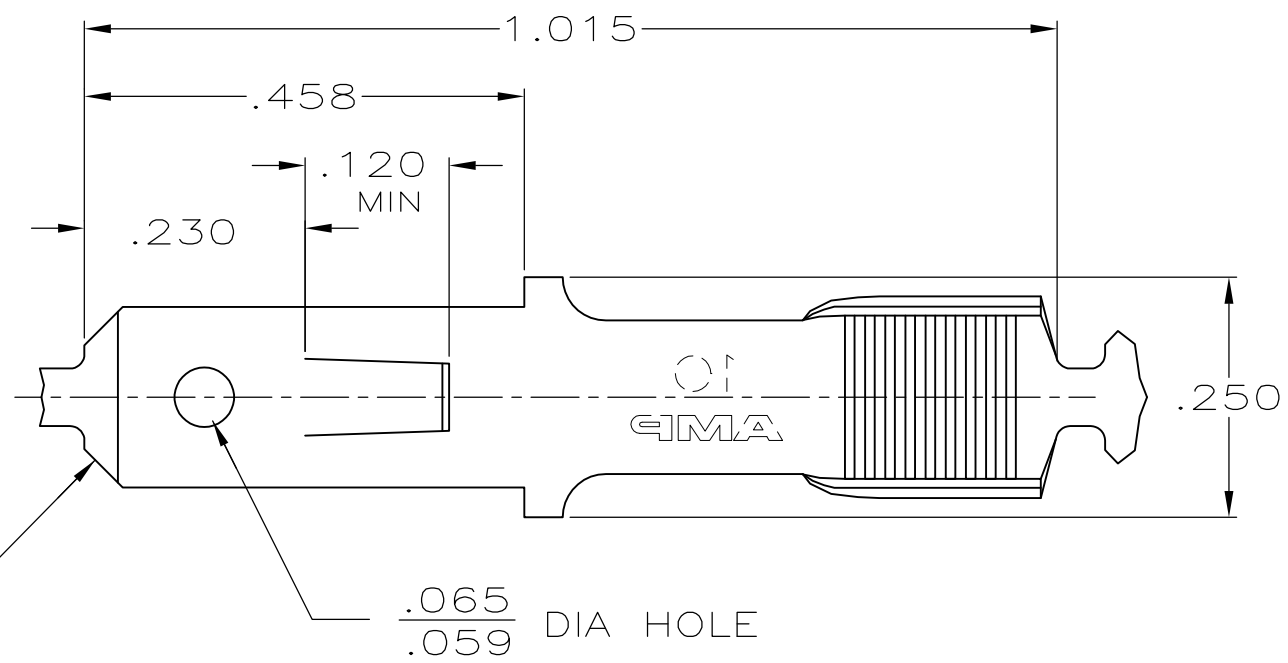


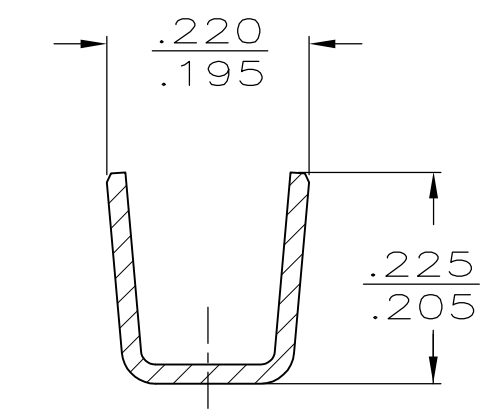
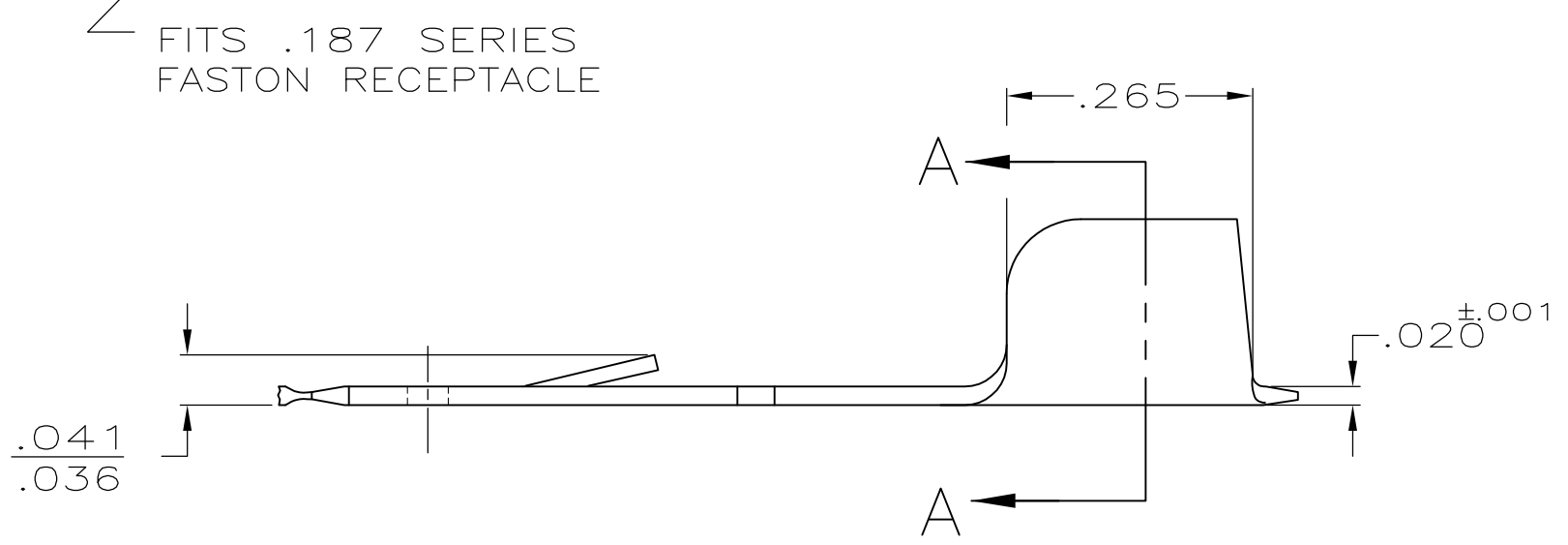
THIS DRAWING IS UNPUBLISHED. RELEASED FOR PUBLICATION
 © COPYRIGHT - By - ALL RIGHTS RESERVED.

LOC	DIST	REVISIONS			
P	LTR	DESCRIPTION	DATE	DWN	APVD
AF	50				
	K	REVISED PER ECR-13-005733	29AUG2013	KH	PD

- 1 CONTINUOUS STRIP ON REELS
- 2 REVERSE REELING FROM 62443-2.



INSTALLED VIEW
PIGTAIL CRIMP



SECTION A-A

#12-10 MAGNET WIRE 7000 - 13000 CMA	TIN / VARNISH RESIST	2 62443-3
	TIN .000080 MIN	62443-2
WIRE SIZE	FINISH	62443-1
		PART NO

THIS DRAWING IS A CONTROLLED DOCUMENT.		DWN JR RUTH 2/19/92	TE Connectivity		
DIMENSIONS: INCHES		CHK MS FEHER 2/19/92			
TOLERANCES UNLESS OTHERWISE SPECIFIED:		APVD J GILLESPIE 2/19/92	NAME TAB, AMPLIVAR, FASTON-FASTON, .187 SERIES		
0 PLC ± - 1 PLC ± - 2 PLC ± - 3 PLC ± .015 4 PLC ± - ANGLES ± -		PRODUCT SPEC -	SIZE A3	CAGE CODE 00779	DRAWING NO C-62443
MATERIAL BRASS		FINISH SEE TABLE	WEIGHT -	RESTRICTED TO -	
CUSTOMER DRAWING			SCALE 5:1	SHEET 1 OF 1	REV K