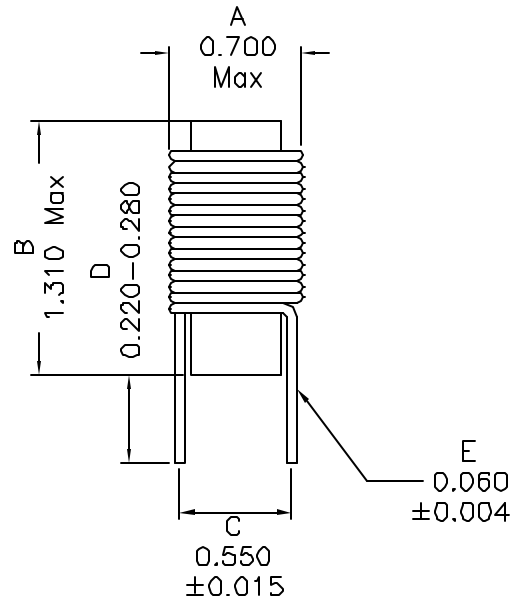


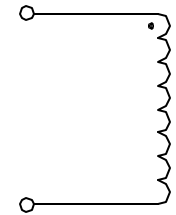
1. Mechanical Dimensions:



Notes:

1. Solderability: Leads shall meet MIL-STD-202G, Method 2DBH for solderability.
2. Flammability: UL94V-0
3. ASTM oxygen index: > 28%
4. Insulation System: Class F 155°C. UL file E151558
5. Operating Temperature Range: All listed parameters are to be within tolerance from -40°C to +85°C
6. Storage Temperature Range: -55°C to +125°C
7. Aqueous wash compatible
8. Electrical and mechanical specifications 100% tested
9. RoHS Compliant Component

2. Schematic:



3. Electrical Specifications: @25°C

OCL: 33uH ±15% @15.75KHz, 0.1V

Q: 7 Min @15.75KHz, 0.1V

DCR: 0.017 Ohms Max

ISAT: 12.0A

Irms: 12.0A

ΔT: 40°C rise typ. at Irms (85°C ambient)

Inductance drop =10% typ. at Isat.

DOC. REV: A/2

PROPRIETARY Document is the property of XFMRS Group & is not allowed to be duplicated without authorization.

XFMRS Inc www.XFMRS.com	Title: POWER CHOKES		
	UNLESS OTHERWISE SPECIFIED TOLERANCES: N/A	P/N: XFRLVO-333	REV. A
Dimensions in INCH	DWN.	Xianyi	Jan-22-09
SHEET 1 OF 1	CHK.	YK Liao	Jan-22-09
	APP.	Joe Huff	Jan-22-09