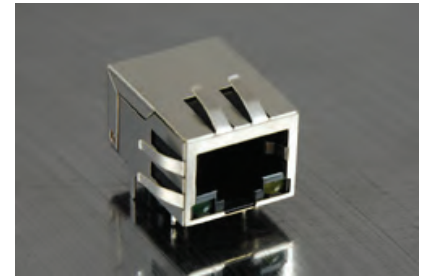




- 10/100 Base-T Ethernet Application
- Impedance: 100OHMS
- RJ45 jack cavity conforms to FCC rules and regulations Part 68, SUB Part F
- Industrial Operating Temp: -40°C to +85°C
- Contact Factory for Industrial Temp.
- Available in other Circuit Designs
- Optional Gold Plating Thickness
- Other LED Patterns available



Electrical Specifications @ 25°C

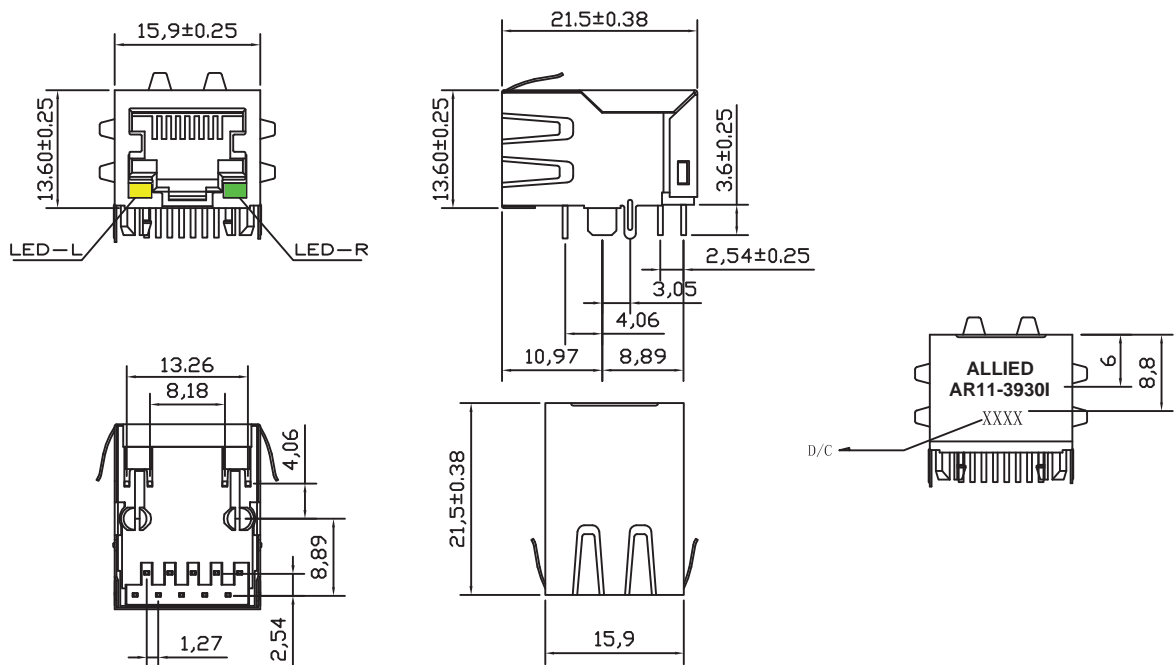
| Part Number | OCL(uH Min)<br>@ 100kHz, 0.1V | Turns Ratio<br>chip: cable<br>(±2%) | Insertion Loss<br>(dB Max) | Return Loss<br>(dB Min) |                    |          |
|-------------|-------------------------------|-------------------------------------|----------------------------|-------------------------|--------------------|----------|
|             | With 8mA DC Bias              |                                     | 1-100MHz                   | 1-30MHz                 | 30-60MHz           | 60-80MHz |
| AR11-3930I  | 350                           | 1CT:1CT                             | -1.0                       | -18                     | -18-20Log(F/30MHz) | -12      |

Electrical Specifications @ 25°C

| Cross Talk<br>(dB Min) |       |       |       |        | CMR<br>(dB Min) |       |       |       |        | CDMR<br>(dB Min) |       |       |       |        | HI-POT<br>(Vrms) |
|------------------------|-------|-------|-------|--------|-----------------|-------|-------|-------|--------|------------------|-------|-------|-------|--------|------------------|
| 0.5-1MHz               | 10MHz | 30MHz | 50MHz | 100MHz | 0.3-1MHz        | 10MHz | 30MHz | 60MHz | 100MHz | 0.3-1MHz         | 10MHz | 30MHz | 60MHz | 100MHz | 0.5mA/2Sec.      |
| -50                    | -50   | -40   | -35   | -30    | -50             | -47   | -42   | -37   | -30    | -50              | -50   | -50   | -45   | -40    | 1500             |

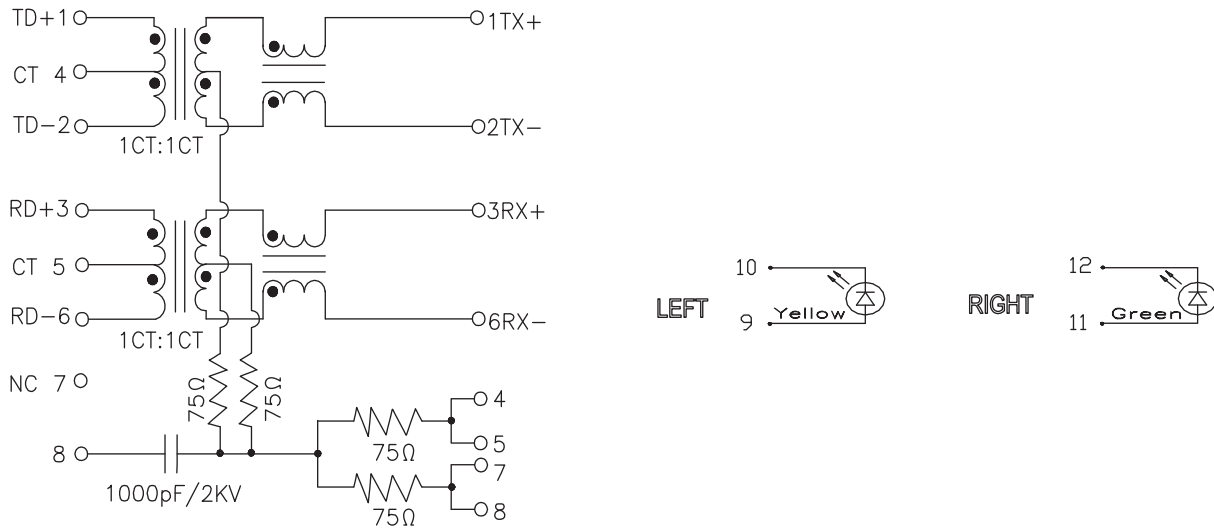
All specifications subject to change without notice.

MECHANICAL

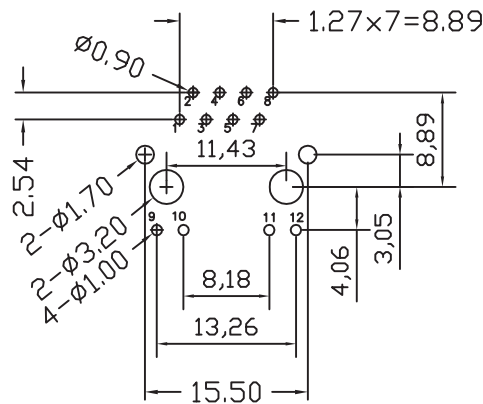




**SCHEMATICS**



**PCB LAYOUT**



**NOTES**

1. Shield- 0.20mm THICKNESS BRASS C2680 H. PLATING NICKEL 20u" Min
2. Housing- Standard Material Nylon66, Glass filled Polyester UL94V-0 Standard Color Black.
3. RJ Terminal- Plastic: Nylon 66, UL94V-0, Standard Color Black.  
Pin: 0.35mm Thickness Phos-Bronze C5210 EH. Plating: Nickel 40u"-60u" for all and Sn 100%, and 6u" Gold Plating.
4. Input Terminal: Nylon66, Glass Filled, UL94V-0, Standard Color Black.  
Pin: 0.35mm Thickness Phos-Bronze C2680. Plating: Nickel 40u"-60u" for all and Sn 100%.