

HSF RoHS

MATERIALS

Housing: Plastic Thermoplastic, PBT, UL94V-0, Black
 Contact Material: Copper Alloy Gold Selective Plated
 Front Shell: Zinc Alloy, Nickel Plated Over Copper
 RoHS Compliant

ELECTRICAL CHARACTERISTICS

Rated Current: 1.0AMP
 Withstand Voltage: 500V AC/DC
 Insulation Resistance: 500MΩ Min
 Contact Resistance: 35mΩ Max
 Operation Temperature: -55°C to +105°C

材质

胶芯: 塑胶 PBT UL94V-0, 黑色
 端子: 铜合金, 镀半金锡
 前壳: 锌合金, 镀镍

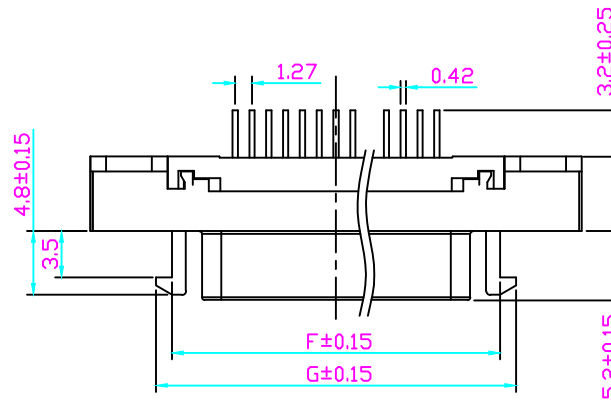
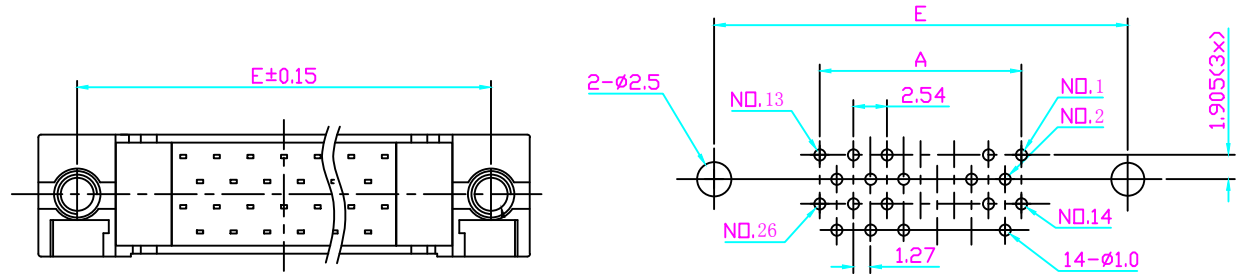
规格

耐电流: 1安培
 最大耐压: 交流500伏特
 绝缘抗阻: 最小值大于500百万欧姆
 接触阻抗: 最大值小于35千分之一欧姆
 工作温度: -55°C到+105°C

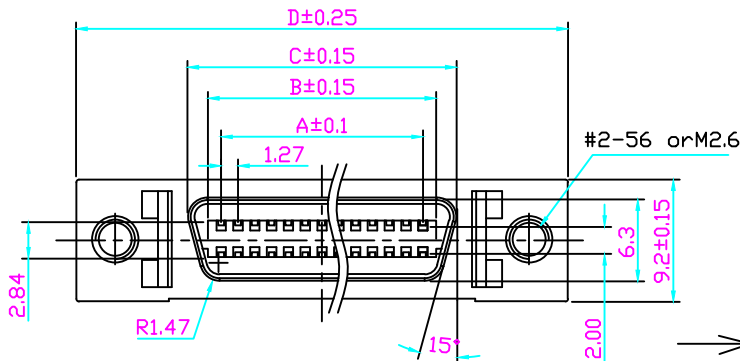
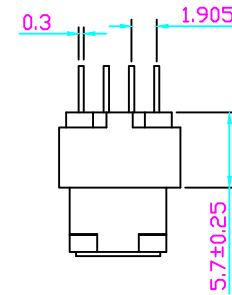
Ordering Information

6300 F XXX S C S2 M N T 01

14=14P S=S/T Contact Plating P=全塑 W=金属定位
 26=26P R=R/A S0: Gold Flash/Tin S2: 3U" Flash/Tin M=金属外壳柱
 50=50P S3: 5U" Flash/Tin G5: 5U" Gold N=无柱
 G6: 10U" Gold
 G0: Gold Flash
 SN: Tin



PCB LAYOUT



| No. of Pin | DIMENSIONS | | | | | | |
|------------|------------|-------|-------|-------|-------|-------|-------|
| | A | B | C | D | E | F | G |
| 14 | 7.62 | 9.59 | 12.6 | 29.51 | 23.64 | 17.25 | 19.58 |
| 26 | 15.24 | 17.21 | 20.24 | 37.13 | 31.26 | 24.76 | 27.2 |
| 50 | 30.48 | 32.45 | 35.39 | 52.37 | 46.5 | 40.0 | 42.44 |

| | | | | | | | | | | | | | | |
|-----|------|-----|--------------|--------------------------------------|------|-------|-----|----------------|------|------------------------|------------|-------------|------------------|-----|
| E | | | | Units | mm | Scale | 1:1 | Drawing By | Date | 深圳市连盛精密连接器有限公司 | | | | |
| D | | | | Tolerance Unless Otherwise Specified | | | | wang zhi gang | | | | | | |
| C | | | | | | | | Check By | Date | Date | 2013/03/18 | Title | | |
| B | | | | | | | | zeng chun ming | | Sheet | 1 of 1 | | | |
| A | | | | | | | | Approval By | Date | Thirt Angle Projection | | Drawing No. | 6300F26SCS2MNT01 | REV |
| REV | ZONE | LTR | DESCRIPTION. | ECN.NO. | Date | | | zeng chun ming | | | | File Path | | A |