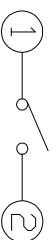
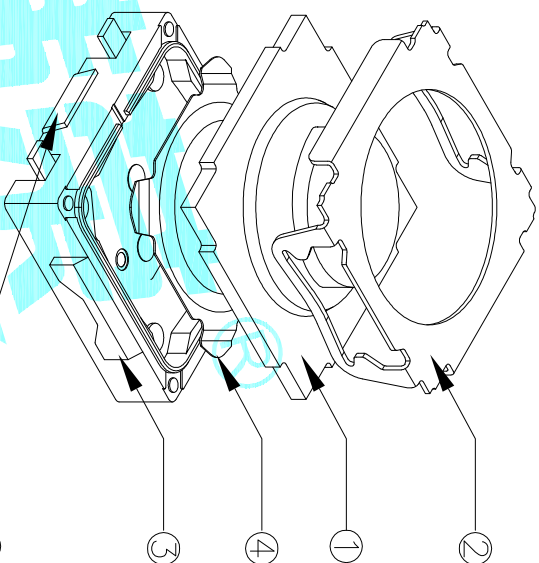


PCB Layout(Pattern side)



Circuit Diagram

Typical Specifications  
 1.Rating : DC 12V 50mA  
 2.Life : 500,000 Cycles  
 3.Travel:0.9±0.1mm

NO.2	
PART NO	vigor
6	700±50

NO.3	
PART NO	MATERIAL/QTY
S	SUS/1PC

NO.4-NO.5	
PART NO	NOTE
01~99	SERIAL NUMBER

ITEM	PART NAME	TER'NO.	QTY.	MATERIAL	FINISHING	REMARK
⑤	Terminal	—	2	Brass(0.3t)	Plating silver	—
④	Contact	—	1	F.Ag/SUS	—	—
③	Base	—	1	LCP	Black	—
②	Cover	—	1	SUS	—	—
①	Keystroke	—	1	Silica gel	—	—

APPROVALS		DATE	TITLE:	
DRAWN	J.X.Zhang	2018/08/01	TACT SWITCHS	
CHECKED			ELECTRONICS CO.,LTD	

ECN NO.	REV.	DATE.	DESCRIPTION.	CHANGE.	CHECK.	APPRO.
	A		NEW			
TOLERANCES ARE		30~0.1±	±0.30	ANGLE	±2°	DRAWING NO.
		10~30	±0.20			
		5~10	±0.15			
		~5	±0.10			
PART NO.		K2-8816SP-A6SW-□□		SCALE:	1:1	PROJ:
DRAWING NO.						SHEET 1 OF 1