

PLEASE CHECK WWW.MOLEX.COM FOR LATEST PART INFORMATION

Part Number: **0781250001**
Status: **Active**
Description: 1.00mm (.039") Pitch DDR2 DIMM Socket, Very Low Profile, Vertical, Surface Mount, 1.8 V, Center Keys, Black Latches, Beveled Metal Pin Length 3.94mm (.155"), 240 Circuits, Lead-free

Documents:

[3D Model](#) [Product Specification PS-78125-001 \(PDF\)](#)
[Drawing \(PDF\)](#) [RoHS Certificate of Compliance \(PDF\)](#)

Agency Certification

CSA LR19980
 UL E29179

General

Product Family Memory Module Sockets
 Series [78125](#)
 Comments Latches in Black Color
 Component Type Memory Module
 JEDEC Outline MO-237
 Product Name DDR2 DIMM

Physical

Circuits (Loaded) 240
 Color - Resin Black
 Durability (mating cycles max) 25
 Entry Angle Vertical (Top Entry)
 Flammability 94V-0
 Keying to Mating Part Yes
 Material - Metal Copper Alloy
 Material - Plating Mating Gold
 Material - Plating Termination Tin
 Material - Resin High Temperature Thermoplastic
 PCB Locator Yes
 PCB Retention Yes
 PCB Thickness Recommended (in) 0.062 In
 PCB Thickness Recommended (mm) 1.60 mm
 Packaging Type Tray
 Pitch - Mating Interface (in) 0.039 In
 Pitch - Mating Interface (mm) 1.00 mm
 Pitch - Term. Interface (in) 0.039 In
 Pitch - Term. Interface (mm) 1.00 mm
 Plating min: Mating (µin) 30
 Plating min: Mating (µm) 0.76
 Plating min: Termination (µin) 100
 Plating min: Termination (µm) 2.54
 Temperature Range - Operating -10°C to +85°C
 Termination Interface: Style Surface Mount

Electrical

Current - Maximum per Contact 1A
 Voltage - Maximum 30V AC (RMS)
 Voltage Key 1.8V, Center

Solder Process Data

Duration at Max. Process Temperature (seconds) 5
 Lead-free Process Capability Reflow Capable (SMT only)

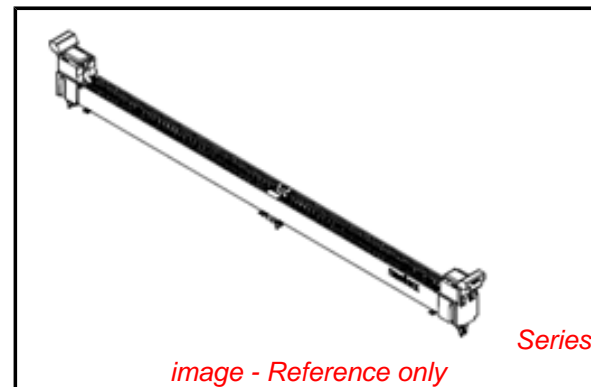


image - Reference only

EU RoHS

ELV and RoHS Compliant
REACH SVHC
 Not Reviewed
Halogen-Free Status
 Not Reviewed

China RoHS



Need more information on product environmental compliance?

Email productcompliance@molex.com
 For a multiple part number RoHS Certificate of Compliance, [click here](#)

Please visit the [Contact Us](#) section for any non-product compliance questions.

Search Parts in this Series

[78125Series](#)

Mates With

JEDEC standard 1.27mm modules

Max. Cycles at Max. Process Temperature	3
Process Temperature max. C	260

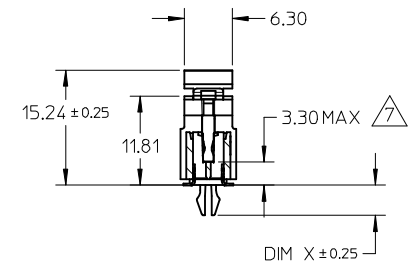
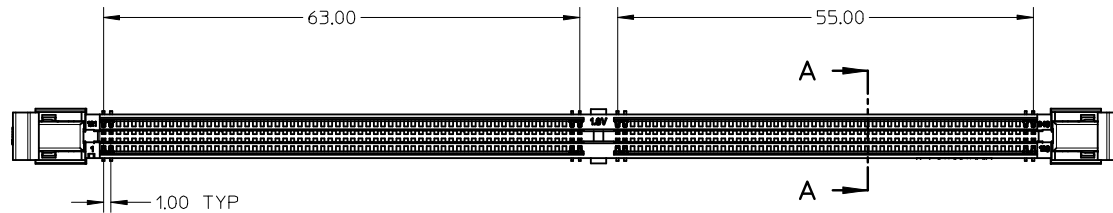
Material Info

Reference - Drawing Numbers

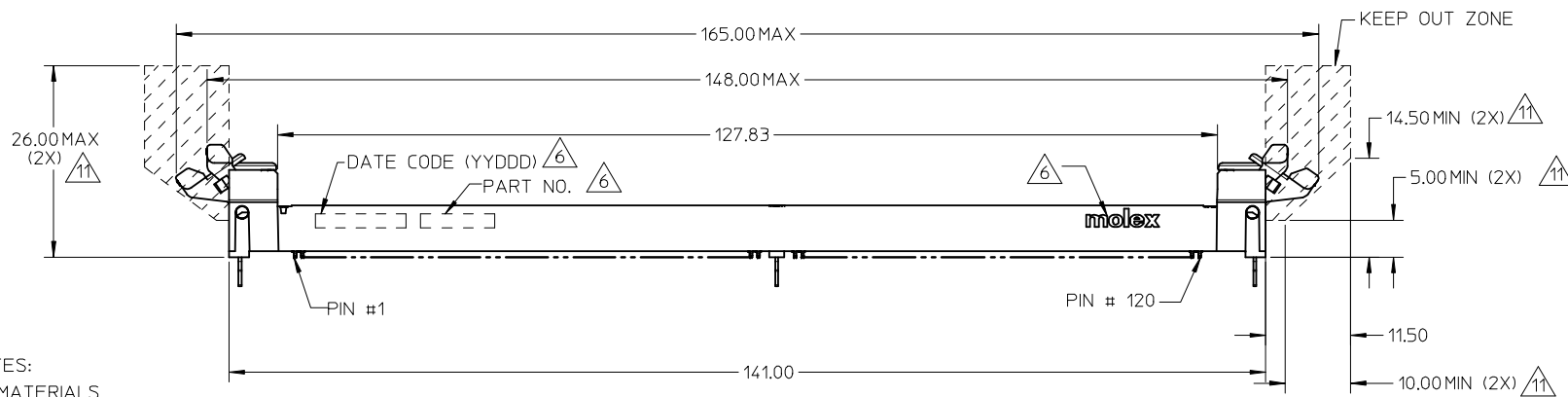
Product Specification	PS-78125-001, RPS-78125-001
Sales Drawing	SD-78125-001

This document was generated on 04/09/2010

PLEASE CHECK WWW.MOLEX.COM FOR LATEST PART INFORMATION



SECTION A-A

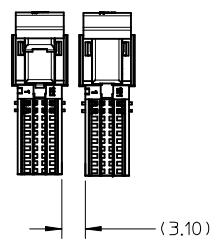
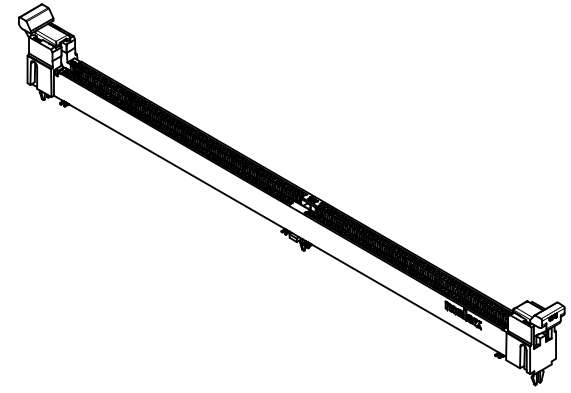
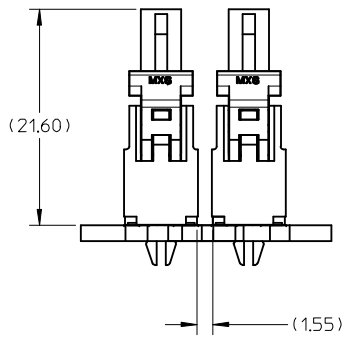
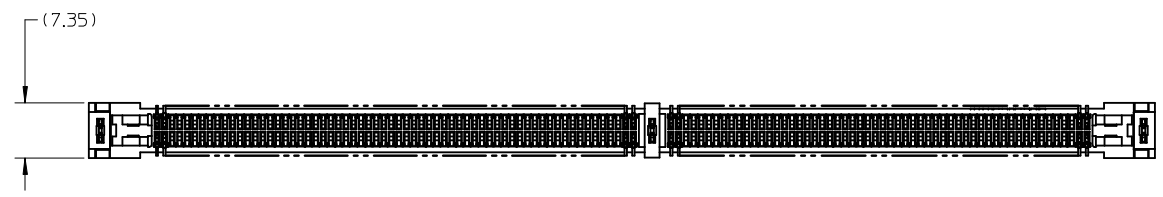


NOTES:

1. MATERIALS
HOUSING - LCP, GLASS FILLED, UL 94V-0. BLACK
EJECTORS - HIGH TEMP. NYLON GLASS FILLED, UL 94 V-0,
COLOUR - PLS REFER TO SHEET 2.
TERMINALS - COPPER ALLOY
2. PLATING OPTION - PLS REFER TO SHEET 2.
3. CARD SLOT ACCEPTS 1.27±0.10MM MODULE THICKNESS. (MEASURED OVER PC PADS)
4. RECOMMENDED MODULE LAYOUT SHALL BE AS PER JEDEC M0-237. PLS REFER TO SHEET 3.
5. PRODUCT IS PACKED INTO TRAYS. PLS REFER TO SHEET 5
6. MOLEX LOGO, DATE CODE & PART NO. INDICATED ON HOUSING.
7. DIMM MODULE SEATING PLANE FROM TOP OF PCB.
8. COPLANARITY OF SOLDERTAILS SHALL NOT EXCEED 0.20MM.
9. REFER YO PRODUCT SPEC. PS-78125-001 FOR PERFORMANCE SPECIFICATIONS.
10. THE KEEP OUT AREA IS THE AREA WHERE THE CONNECTOR IS MOUNTED ONTO THE PCB, WHICH DOES NOT INCLUDE THE LATCH.
11. KEEP OUT ZONE AS PER JEDEC SO-001.
12. CONTACT MOLEX FOR AVAILABILITY OF PRODUCT OPTIONS.

ADD NEW OPTION EC NO: S2009-0166 DRWN:CMTEO 2008/09/05 CHKD:CGTAN 2008/09/05 APPR:SHLENI 2008/09/05	B1 REV	DESCRIPTION QUALITY SYMBOLS ▽=0 ◻=0	GENERAL TOLERANCES (UNLESS SPECIFIED)		DIMENSION STYLE MM ONLY		SCALE NTS	DESIGN UNITS METRIC	THIRD ANGLE PROJECTION			
				mm	INCH	DRAWN BY CMTEO	DATE 2006/08/07	TITLE DDR2 DIMM, 100MM PITCH 240 CKTS, VLP LATCH, SMT				
			4 PLACES	± ---	± ---	CHECKED BY SHLENI	DATE 2006/08/14	MOLEX INCORPORATED DOCUMENT NO. SD-78125-001 SHEET NO. 1 OF 5				
			3 PLACES	± ---	± ---	APPROVED BY GGLEE	DATE 2006/08/14					
2 PLACES	± 0.2	± ---	DRAFT WHERE APPLICABLE MUST REMAIN WITHIN DIMENSIONS		SEE TABLE		THIS DRAWING CONTAINS INFORMATION THAT IS PROPRIETARY TO MOLEX INCORPORATED AND SHOULD NOT BE USED WITHOUT WRITTEN PERMISSION					
1 PLACE	± ---	± ---	ANGULAR ± 1 °		SIZE A3							

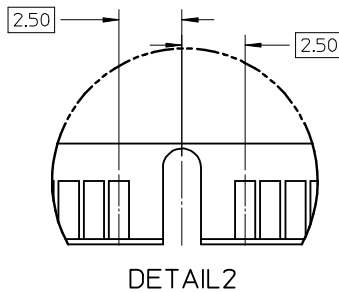
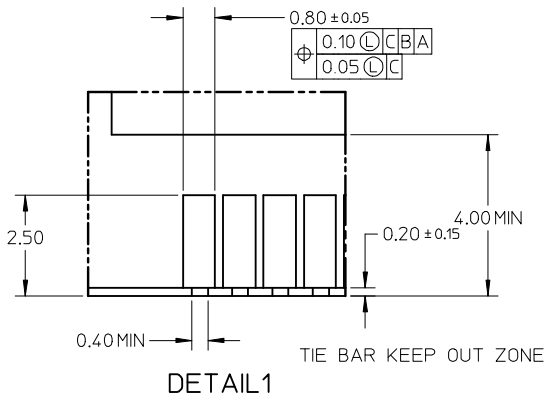
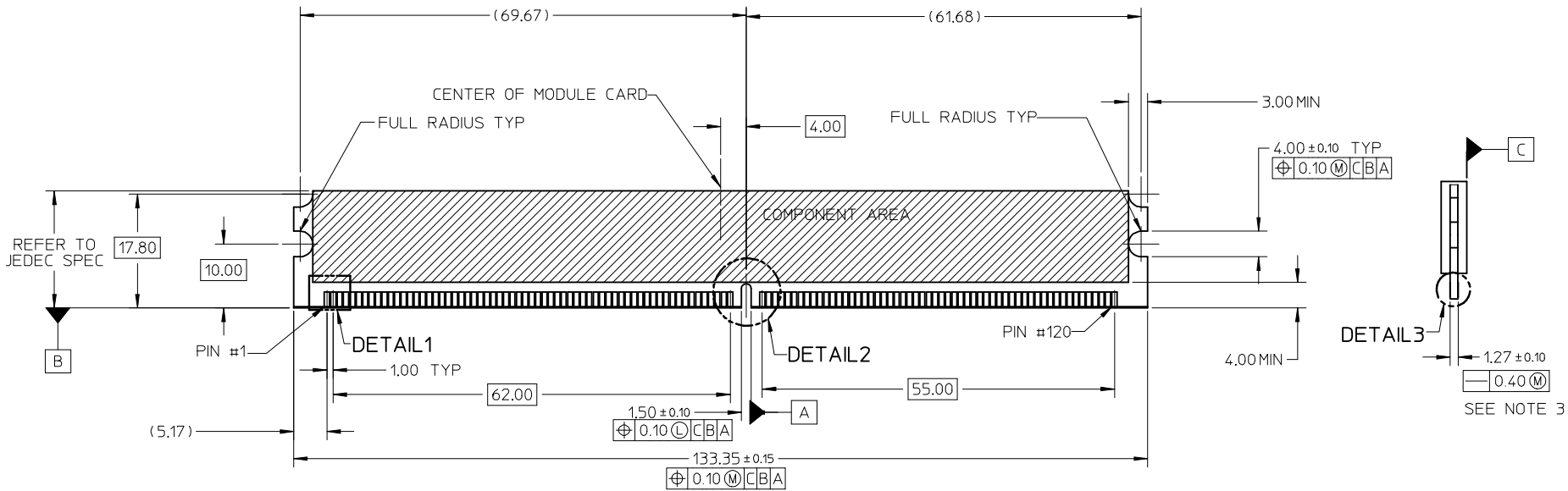
ASSEMBLY PART NO.	VOLTAGE KEY POS.	DIM X	PCB THICKNESS DIM Y	PLATING	LATCH COLOR
78125-0001	CENTRE 1.8V	3.94	1.57	0.76µM (30µ IN) MIN. GOLD ON CONTACT 2.54µM (100µ IN) MIN. TIN ON SOLDER TAILS 1.27µM (50µ IN) MIN. NICKEL UNDERPLATE	BLACK
78125-0008		4.42	2.50		



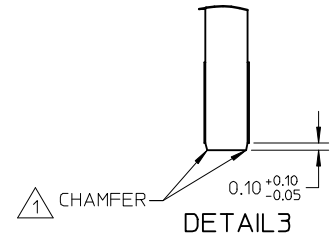
ADD NEW OPTION EC NO: S2009-0166 DRWN:CMTEO CHKD:CGTAN APPR:SHLENI	2008/09/05 2008/09/05 2008/09/05	DESCRIPTION REV	QUALITY SYMBOLS	GENERAL TOLERANCES (UNLESS SPECIFIED) <table border="1"> <tr> <td></td> <td>mm</td> <td>INCH</td> </tr> <tr> <td>4 PLACES</td> <td>± ---</td> <td>± ---</td> </tr> <tr> <td>3 PLACES</td> <td>± ---</td> <td>± ---</td> </tr> <tr> <td>2 PLACES</td> <td>± 0.2</td> <td>± ---</td> </tr> <tr> <td>1 PLACE</td> <td>± ---</td> <td>± ---</td> </tr> </table>		mm	INCH	4 PLACES	± ---	± ---	3 PLACES	± ---	± ---	2 PLACES	± 0.2	± ---	1 PLACE	± ---	± ---	DIMENSION STYLE	SCALE	DESIGN UNITS	THIRD ANGLE PROJECTION		
					mm	INCH																			
			4 PLACES		± ---	± ---																			
			3 PLACES		± ---	± ---																			
2 PLACES	± 0.2	± ---																							
1 PLACE	± ---	± ---																							
			MM ONLY	NTS	METRIC																				
			<table border="1"> <tr> <td>DRAWN BY</td> <td>DATE</td> <td>TITLE</td> </tr> <tr> <td>CMTEO</td> <td>2006/08/07</td> <td>DDR2 DIMM, 100MM PITCH 240 CKTS, VLP LATCH, SMT</td> </tr> <tr> <td>CHECKED BY</td> <td>DATE</td> <td></td> </tr> <tr> <td>SHLENI</td> <td>2006/08/14</td> <td></td> </tr> <tr> <td>APPROVED BY</td> <td>DATE</td> <td></td> </tr> <tr> <td>GGLEE</td> <td>2006/08/14</td> <td></td> </tr> </table>	DRAWN BY	DATE	TITLE	CMTEO	2006/08/07	DDR2 DIMM, 100MM PITCH 240 CKTS, VLP LATCH, SMT	CHECKED BY	DATE		SHLENI	2006/08/14		APPROVED BY	DATE		GGLEE	2006/08/14		MOLEX INCORPORATED			
DRAWN BY	DATE	TITLE																							
CMTEO	2006/08/07	DDR2 DIMM, 100MM PITCH 240 CKTS, VLP LATCH, SMT																							
CHECKED BY	DATE																								
SHLENI	2006/08/14																								
APPROVED BY	DATE																								
GGLEE	2006/08/14																								
			DRAFT WHERE APPLICABLE MUST REMAIN WITHIN DIMENSIONS	MATERIAL NO. SEE TABLE	DOCUMENT NO. SD-78125-001	SHEET NO. 2 OF 5																			

10 9 8 7 6 5 4 3 2 1

RECOMMENDED MODULE LAYOUT



KEY LOCATION	VOLTAGE
CENTER	1.8V



NOTES:
 1. MODULE CARD USED FOR TESTS ARE WITH 0.10MM CHAMFER.

ADD NEW OPTION EC NO: S2009-0166 DRWN:CMTEO 2008/09/05 CHKD:CGTAN 2008/09/05 APPR:SHLENI 2008/09/05	QUALITY SYMBOLS ▽=0 ◻=0	GENERAL TOLERANCES (UNLESS SPECIFIED) mm INCH 4 PLACES ± --- ± --- 3 PLACES ± --- ± --- 2 PLACES ± 0.2 ± --- 1 PLACE ± --- ± --- ANGULAR ± 1 °	DIMENSION STYLE MM ONLY DRAWN BY: CMTEO DATE: 2006/08/07 CHECKED BY: SHLENI DATE: 2006/08/14 APPROVED BY: GGLEE DATE: 2006/08/14	SCALE: NTS DESIGN UNITS: METRIC THIRD ANGLE PROJECTION	TITLE: DDR2 DIMM, 100MM PITCH 240 CKTS, VLP LATCH, SMT
	DRAFT WHERE APPLICABLE MUST REMAIN WITHIN DIMENSIONS	MATERIAL NO.: SEE TABLE SIZE: A3	MOLEX INCORPORATED DOCUMENT NO.: SD-78125-001	SHEET NO.: 3 OF 5	
	THIS DRAWING CONTAINS INFORMATION THAT IS PROPRIETARY TO MOLEX INCORPORATED AND SHOULD NOT BE USED WITHOUT WRITTEN PERMISSION				
	B1				

9 8 7 6 5 4 3 2 1

10 9 8 7 6 5 4 3 2 1

F

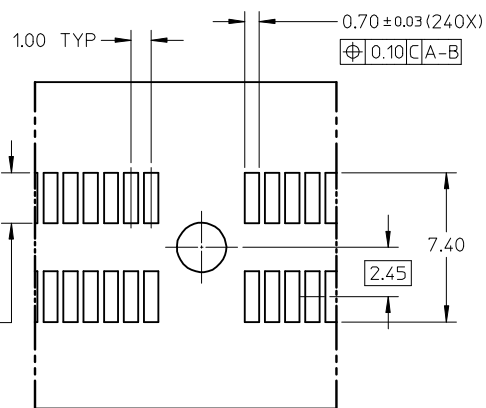
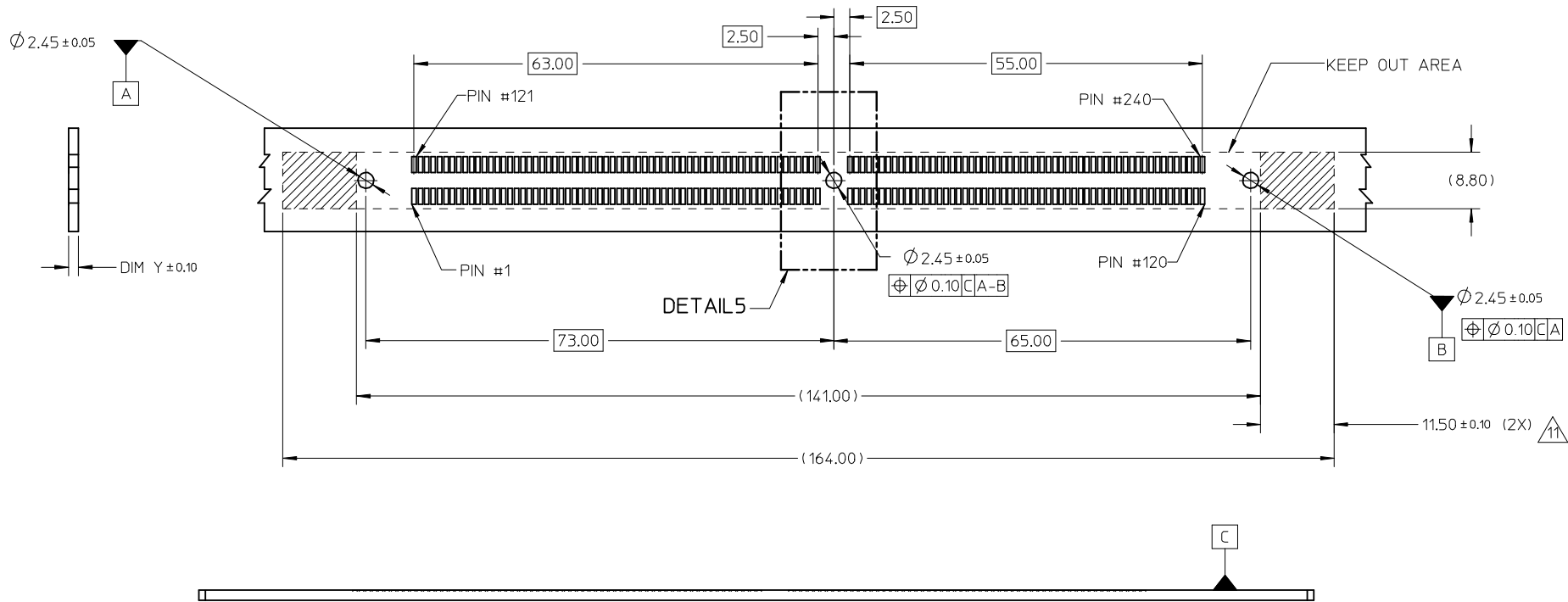
E

D

C

B

A



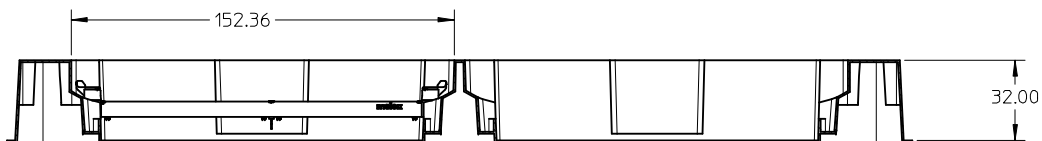
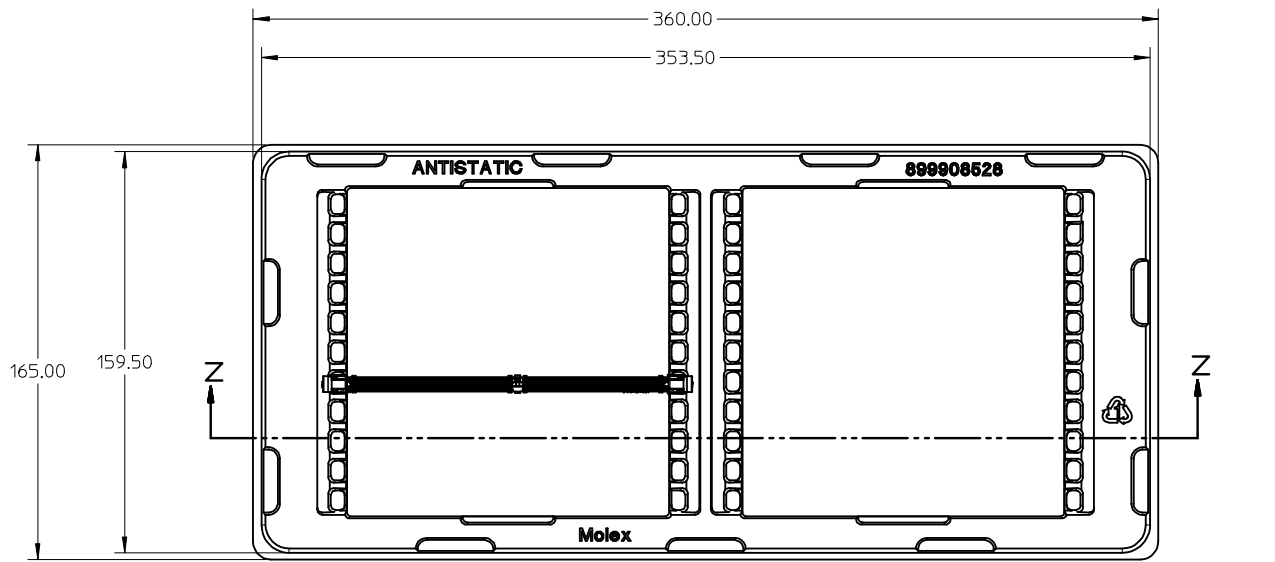
RECOMMENDED STENCIL THICKNESS = 150µM.

2.50 ± 0.03 (240X)
± 0.10 [C-A-B]

DETAIL 5

ADD NEW OPTION EC NO: S2009-0166 DRWN:CMTEO 2008/09/05 CHKD:CGTAN 2008/09/05 APPR:SHLENI 2008/09/05	QUALITY SYMBOLS ▽=0 ◻=0	GENERAL TOLERANCES (UNLESS SPECIFIED)		DIMENSION STYLE MM ONLY		SCALE	DESIGN UNITS	THIRD ANGLE PROJECTION			
		mm	INCH	DRAWN BY	DATE	NTS	METRIC	TITLE			
		4 PLACES ± --- ± ---	3 PLACES ± --- ± ---	CMTEO	2006/08/07			DDR2 DIMM, 100MM PITCH 240 CKTS, VLP LATCH, SMT			
		2 PLACES ± 0.2 ± ---	1 PLACE ± --- ± ---	SHLENI	2006/08/14						
		ANGULAR ± 1 °		APPROVED BY	DATE	MOLEX INCORPORATED					
		DRAFT WHERE APPLICABLE MUST REMAIN WITHIN DIMENSIONS		GGLEE	2006/08/14	DOCUMENT NO. SD-78125-001					
				MATERIAL NO.		SHEET NO. 4 OF 5					
				SIZE	A3	THIS DRAWING CONTAINS INFORMATION THAT IS PROPRIETARY TO MOLEX INCORPORATED AND SHOULD NOT BE USED WITHOUT WRITTEN PERMISSION					

9 8 7 6 5 4 3 2 1



SECTION Z-Z

NOTE:
1. CAVITY QTY : 2 X 11 = 22PCS

ADD NEW OPTION EC NO: S2009-0166 DRW:CMTEO 2008/09/05 CHKD:CGTAN 2008/09/05 APPR:SHLENI 2008/09/05	DESCRIPTION B1	QUALITY SYMBOLS	GENERAL TOLERANCES (UNLESS SPECIFIED)	DIMENSION STYLE	SCALE	DESIGN UNITS	THIRD ANGLE PROJECTION																																	
		$\nabla=0$ $\text{C}=0$	<table border="1"> <thead> <tr> <th></th> <th>mm</th> <th>INCH</th> </tr> </thead> <tbody> <tr> <td>4 PLACES</td> <td>\pm---</td> <td>\pm---</td> </tr> <tr> <td>3 PLACES</td> <td>\pm---</td> <td>\pm---</td> </tr> <tr> <td>2 PLACES</td> <td>\pm0.2</td> <td>\pm---</td> </tr> <tr> <td>1 PLACE</td> <td>\pm---</td> <td>\pm---</td> </tr> </tbody> </table>		mm	INCH	4 PLACES	\pm ---	\pm ---	3 PLACES	\pm ---	\pm ---	2 PLACES	\pm 0.2	\pm ---	1 PLACE	\pm ---	\pm ---	MM ONLY	NTS	METRIC																			
			mm	INCH																																				
		4 PLACES	\pm ---	\pm ---																																				
3 PLACES	\pm ---	\pm ---																																						
2 PLACES	\pm 0.2	\pm ---																																						
1 PLACE	\pm ---	\pm ---																																						
	<table border="1"> <thead> <tr> <th></th> <th>mm</th> <th>INCH</th> </tr> </thead> <tbody> <tr> <td>4 PLACES</td> <td>\pm---</td> <td>\pm---</td> </tr> <tr> <td>3 PLACES</td> <td>\pm---</td> <td>\pm---</td> </tr> <tr> <td>2 PLACES</td> <td>\pm0.2</td> <td>\pm---</td> </tr> <tr> <td>1 PLACE</td> <td>\pm---</td> <td>\pm---</td> </tr> </tbody> </table>		mm	INCH	4 PLACES	\pm ---	\pm ---	3 PLACES	\pm ---	\pm ---	2 PLACES	\pm 0.2	\pm ---	1 PLACE	\pm ---	\pm ---	<table border="1"> <tr> <td>DRAWN BY</td> <td>DATE</td> <td rowspan="2">TITLE</td> </tr> <tr> <td>CMTEO</td> <td>2006/08/07</td> </tr> <tr> <td>CHECKED BY</td> <td>DATE</td> <td rowspan="2"> DDR2 DIMM, 100MM PITCH 240 CKTS, VLP LATCH, SMT </td> </tr> <tr> <td>SHLENI</td> <td>2006/08/14</td> </tr> <tr> <td>APPROVED BY</td> <td>DATE</td> <td rowspan="2"> MOLEX INCORPORATED </td> </tr> <tr> <td>GGLLEE</td> <td>2006/08/14</td> </tr> <tr> <td>MATERIAL NO.</td> <td colspan="2">SEE TABLE</td> </tr> </table>	DRAWN BY	DATE	TITLE	CMTEO	2006/08/07	CHECKED BY	DATE	DDR2 DIMM, 100MM PITCH 240 CKTS, VLP LATCH, SMT	SHLENI	2006/08/14	APPROVED BY	DATE	MOLEX INCORPORATED	GGLLEE	2006/08/14	MATERIAL NO.	SEE TABLE		<table border="1"> <tr> <td>DOCUMENT NO.</td> <td>SHEET NO.</td> </tr> <tr> <td>SD-78125-001</td> <td>5 OF 5</td> </tr> </table>	DOCUMENT NO.	SHEET NO.	SD-78125-001	5 OF 5
	mm	INCH																																						
4 PLACES	\pm ---	\pm ---																																						
3 PLACES	\pm ---	\pm ---																																						
2 PLACES	\pm 0.2	\pm ---																																						
1 PLACE	\pm ---	\pm ---																																						
DRAWN BY	DATE	TITLE																																						
CMTEO	2006/08/07																																							
CHECKED BY	DATE	DDR2 DIMM, 100MM PITCH 240 CKTS, VLP LATCH, SMT																																						
SHLENI	2006/08/14																																							
APPROVED BY	DATE	MOLEX INCORPORATED																																						
GGLLEE	2006/08/14																																							
MATERIAL NO.	SEE TABLE																																							
DOCUMENT NO.	SHEET NO.																																							
SD-78125-001	5 OF 5																																							
		DRAFT WHERE APPLICABLE MUST REMAIN WITHIN DIMENSIONS	<table border="1"> <tr> <td>SIZE</td> <td rowspan="2">THIS DRAWING CONTAINS INFORMATION THAT IS PROPRIETARY TO MOLEX INCORPORATED AND SHOULD NOT BE USED WITHOUT WRITTEN PERMISSION</td> </tr> <tr> <td>A3</td> </tr> </table>	SIZE	THIS DRAWING CONTAINS INFORMATION THAT IS PROPRIETARY TO MOLEX INCORPORATED AND SHOULD NOT BE USED WITHOUT WRITTEN PERMISSION	A3																																		
SIZE	THIS DRAWING CONTAINS INFORMATION THAT IS PROPRIETARY TO MOLEX INCORPORATED AND SHOULD NOT BE USED WITHOUT WRITTEN PERMISSION																																							
A3																																								