

**PLEASE CHECK WWW.MOLEX.COM FOR LATEST PART INFORMATION**

**Part Number:** [0472713008](#)  
**Status:** **Active**  
**Overview:** [displayport](#)  
**Description:** Upper Inner Shell for DisplayPort®; Cable Plug, Nickel overall plating, without Latch holes

**Documents:**

[Drawing \(PDF\)](#) [RoHS Certificate of Compliance \(PDF\)](#)

**General**

Product Family	Accessories
Series	<a href="#">47271</a>
Component Type	Shell
Overview	<a href="#">displayport</a>
Product Name	DisplayPort*

**Physical**

Circuits (Loaded)	N/A
Circuits (maximum)	0
Gender	N/A
Lock to Mating Part	No
Material - Metal	Brass
Material - Plating Mating	Unplated
Material - Plating Termination	Unplated
Number of Rows	0
Packaging Type	Reel
Polarized to Mating Part	Yes
Temperature Range - Operating	-20°C to +85°C

**Electrical**

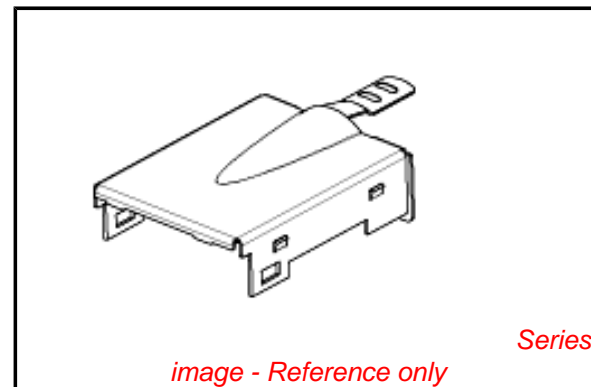
Current - Maximum per Contact	0.5A
-------------------------------	------

**Material Info**

**Reference - Drawing Numbers**

Sales Drawing	SD-47271-008
---------------	--------------

DisplayPort\* is a Trademark of VESA



*image - Reference only*

**EU RoHS**

**ELV and RoHS  
Compliant**  
**REACH SVHC  
Contains SVHC: No**  
**Halogen-Free  
Status**

**China RoHS**



**Need more information on product  
environmental compliance?**

Email [productcompliance@molex.com](mailto:productcompliance@molex.com)  
 For a multiple part number RoHS Certificate of Compliance, [click here](#)

Please visit the [Contact Us](#) section for any non-product compliance questions.

**Search Parts in this Series**  
[47271Series](#)

**PLEASE CHECK WWW.MOLEX.COM FOR LATEST PART INFORMATION**

10 9 8 7 6 5 4 3 2 1

F

F

E

E

D

D

C

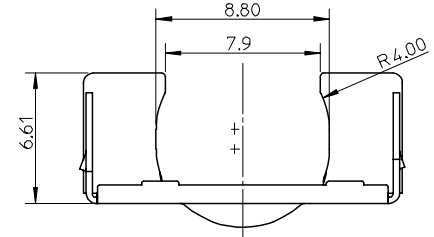
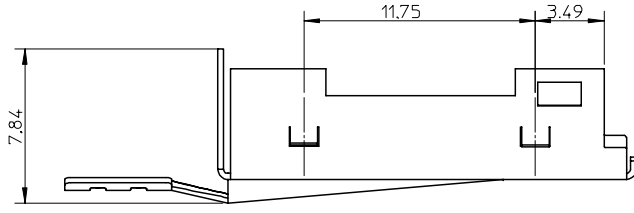
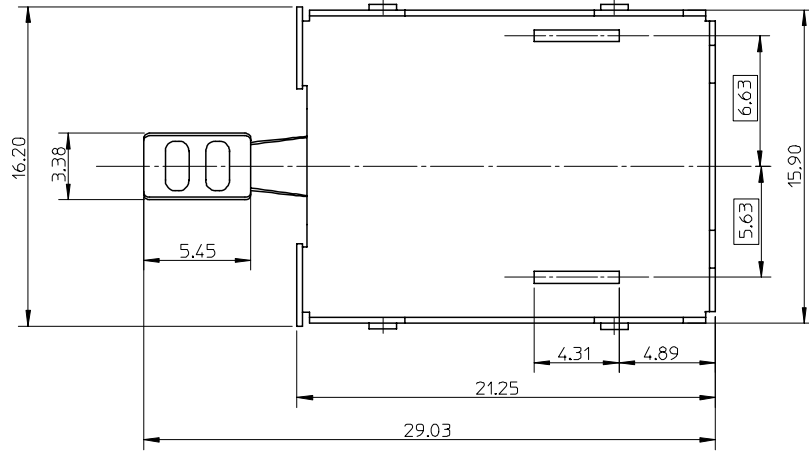
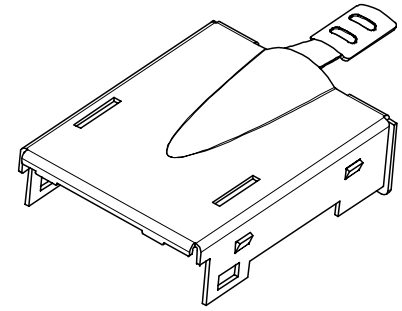
C

B

B

A

A



- NOTES:
1. THIS PART IS WITH LATCHES TYPE
  2. MATERIAL : 0.30MM THICKNESS COPPER ALLOY.
  3. PLATING : NICKEL 2.0 MICROMETER MIN OVERALL.

NEW RELEASE  
 EC NO: SH2007-0705  
 2007/04/27  
 DRWN:HHE  
 2007/04/30  
 CHKD:  
 APPR: JNCHEN  
 2007/05/10

QUALITY SYMBOLS	DESCRIPTION
▽=0	
∇=0	
REV	

GENERAL TOLERANCES (UNLESS SPECIFIED)	
	mm INCH
4 PLACES	± --- ± ---
3 PLACES	± --- ± ---
2 PLACES	± 0.15 ± ---
1 PLACE	± 0.15 ± ---
ANGULAR ± 2 °	
DRAFT WHERE APPLICABLE MUST REMAIN WITHIN DIMENSIONS	

DIMENSION STYLE		SCALE	DESIGN UNITS	THIRD ANGLE PROJECTION
MM ONLY		4:1	METRIC	
DRAWN BY	DATE	TITLE		
QWFANG	2006/09/05	INNER-SHELL-UPPER FOR DISPLAYPORT		
CHECKED BY	DATE			
IWANG	2006/09/05	MOLEX INCORPORATED		
APPROVED BY	DATE			
JNCHEN	2006/09/05	MATERIAL NO. 47271-1008 DOCUMENT NO. SD-47271-008 SHEET NO. 1 OF 2		
SIZE A3				

MOLEX INCORPORATED	
THIS DRAWING CONTAINS INFORMATION THAT IS PROPRIETARY TO MOLEX INCORPORATED AND SHOULD NOT BE USED WITHOUT WRITTEN PERMISSION	

9 8 7 6 5 4 3 2 1

10 9 8 7 6 5 4 3 2 1

F

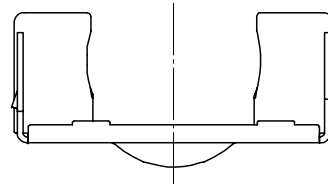
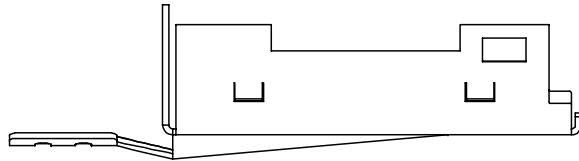
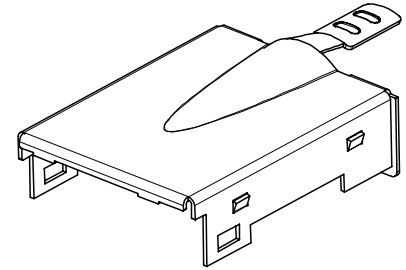
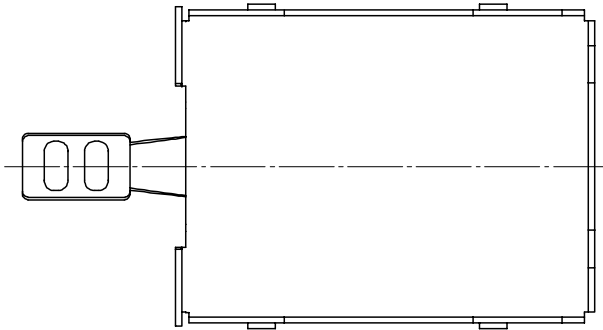
E

D

C

B

A



NOTES:  
THIS PART IS WITHOUT LATCHES TYPE.  
UNSPECIFIED DIMENSIONS ARE SAME AS SHEET 1.

SEE SHEET 1 EC NO: SH2007-0705 DRWN: HHE CHKD: APPR: JNCHEN 2007/04/27 2007/05/10	DESCRIPTION REV	QUALITY SYMBOLS ▽=0 ◻=0	GENERAL TOLERANCES (UNLESS SPECIFIED)		DIMENSION STYLE MM ONLY		SCALE 4:1	DESIGN UNITS METRIC	THIRD ANGLE PROJECTION		
			4 PLACES ± --- ± --- 3 PLACES ± --- ± --- 2 PLACES ± 0.15 ± --- 1 PLACE ± 0.15 ± ---	mm INCH ± --- ± --- ± 0.15 ± --- ± 0.15 ± ---	DRAWN BY QWFANG	DATE 2006/09/05	TITLE INNER-SHELL-UPPER FOR DISPLAYPORT				
			ANGULAR ± 2 °	DRAFT WHERE APPLICABLE MUST REMAIN WITHIN DIMENSIONS	CHECKED BY IWANG	DATE 2006/09/05	APPROVED BY JNCHEN				
					MATERIAL NO. 47271-3008	DATE 2006/09/05	DOCUMENT NO. SD-47271-008		MOLEX INCORPORATED		
					SIZE A3	THIS DRAWING CONTAINS INFORMATION THAT IS PROPRIETARY TO MOLEX INCORPORATED AND SHOULD NOT BE USED WITHOUT WRITTEN PERMISSION					
									SHEET NO. 2 OF 2		

9 8 7 6 5 4 3 2 1