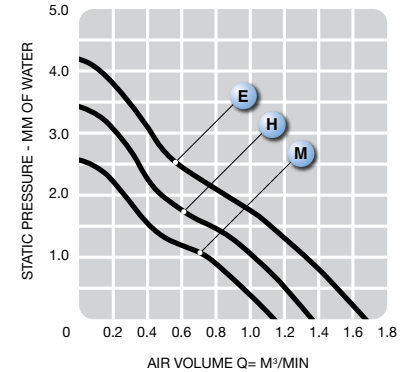
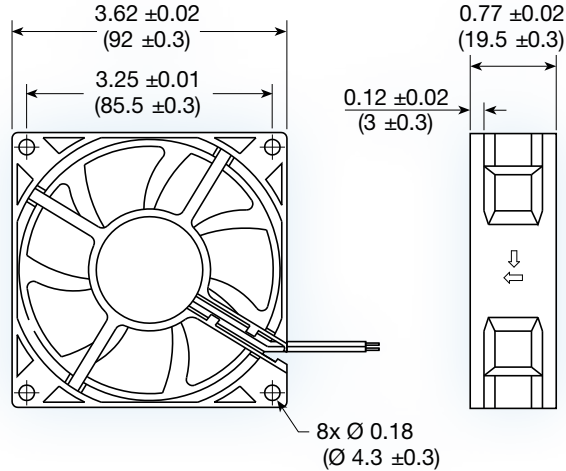


# MB9220 series



**(92 x 92 x 19.5 mm)**  
1.57 x 1.57 x 1.10 inches

Construction: UL94V-0 PBT impeller and frame

Bearing option: ball bearing or sleeve

Connection: AWG 26, UL1007 lead wires

Frame: flanged

Protection: impedance

Options: tachometer output signal

Model No.	Rated Voltage V	Current mA 12	Speed RPM	Air Volume		Max. Static Pressure (H <sub>2</sub> O)		Sound Noise dbA	Weight g
				M <sup>3</sup> /Min.	CFM	MM	INCH		
<b>MB9220L</b>	12	0.12	2,100	0.90	31.8	1.18	0.04	24	71
<b>MB9220M</b>	12	0.16	2,500	1.08	38.1	2.60	0.10	28	71
<b>MB9220H</b>	12	0.26	3,000	1.35	47.7	3.48	0.14	32	71
<b>MB9220E</b>	12	0.32	3,600	1.65	57.5	4.20	0.17	38	71