

LOC	DIST	REVISIONS					
GP	00	P	LTN	DESCRIPTION	DATE	OWN	APVD
		A		RELEASED PER ECO-08-025381	15OCT2008	RG	PD
		B		REV PER ECO-10-004250	03MAR2010	RG	MS
		B1		REV PER ECO-15-015062	04FEB2016	SZ	SZ
		B2		ECO-16-005324	06APR2016	SZ	SZ

1 RECOMMENDED PRINTED CIRCUIT BOARD HOLE DIMENSIONS FOR COMPLIANT TAILS:  
 FINISHED HOLE TIN PLATING:  $\varnothing 0.56 \pm 0.05$   
 FINISHED HOLE BARE COPPER:  $\varnothing 0.575 \pm 0.05$   
 DRILLED HOLE:  $\varnothing 0.65 \pm 0.02$   
 COPPER PLATING THICKNESS (MAX HARDNESS 150 KNOOP): 0.025-0.050  
 TIN PLATING THICKNESS (MIN): 0.0038-0.0124  
 ORGANIC SOLDERABILITY PRESERVATIVE (OSP): USE WITH BARE COPPER.

2 PC BOARD THICKNESS 1.6mm MINIMUM.  
 3 DAUGHTERCARD PC BOARD THICKNESS IS  $1.6\text{mm} \pm 10\%$ . DIMENSION FROM PCB EDGE TO PLATED PAD SAND OPTIONAL PCB EDGE CHAMFERS ARE BASED ON 2 OZ. MAX. THICK COPPER LAYERS TYPICAL FOR POWER APPLICATIONS AND 1mm PCB PROFILE CHAMFER TO PREVENT COPPER EDGE FROM ENGAGING BEFORE PCB SUBSTRATE MATERIAL.

4 26.90mm TO  $\varnothing$  OF ADJACENT CROWN EDGE CONNECTOR.  
 5. MATERIAL: HOUSING AND OVERMOLDS: LCP, BLACK, UL94V-0 RATED  
 CONTACTS: COPPER ALLOY.

6 FINISH: MATING AREA- 0.76 $\mu\text{m}$  MIN. GOLD OVER 3.81 MICROMETER MIN. NICKEL PLATE.  
 0.64 $\mu\text{m}$  MIN. GOLD ON ADJACENT FLAT SIDES IN MATING AREA.  
 COMPLIANT PIN AREA- 1.27 $\mu\text{m}$  MIN. MATTE TIN PLATE OVER 1.27 $\mu\text{m}$  MIN.  
 NICKEL PLATE. MATING AREA AND ADJACENT FLAT SIDES LUBRICATED  
 WITH BELLCORE APPROVED LUBRICANT. TECHNICAL REFERENCE  
 GR-1217-CORE ISSUE 1, NOVEMBER 1995.

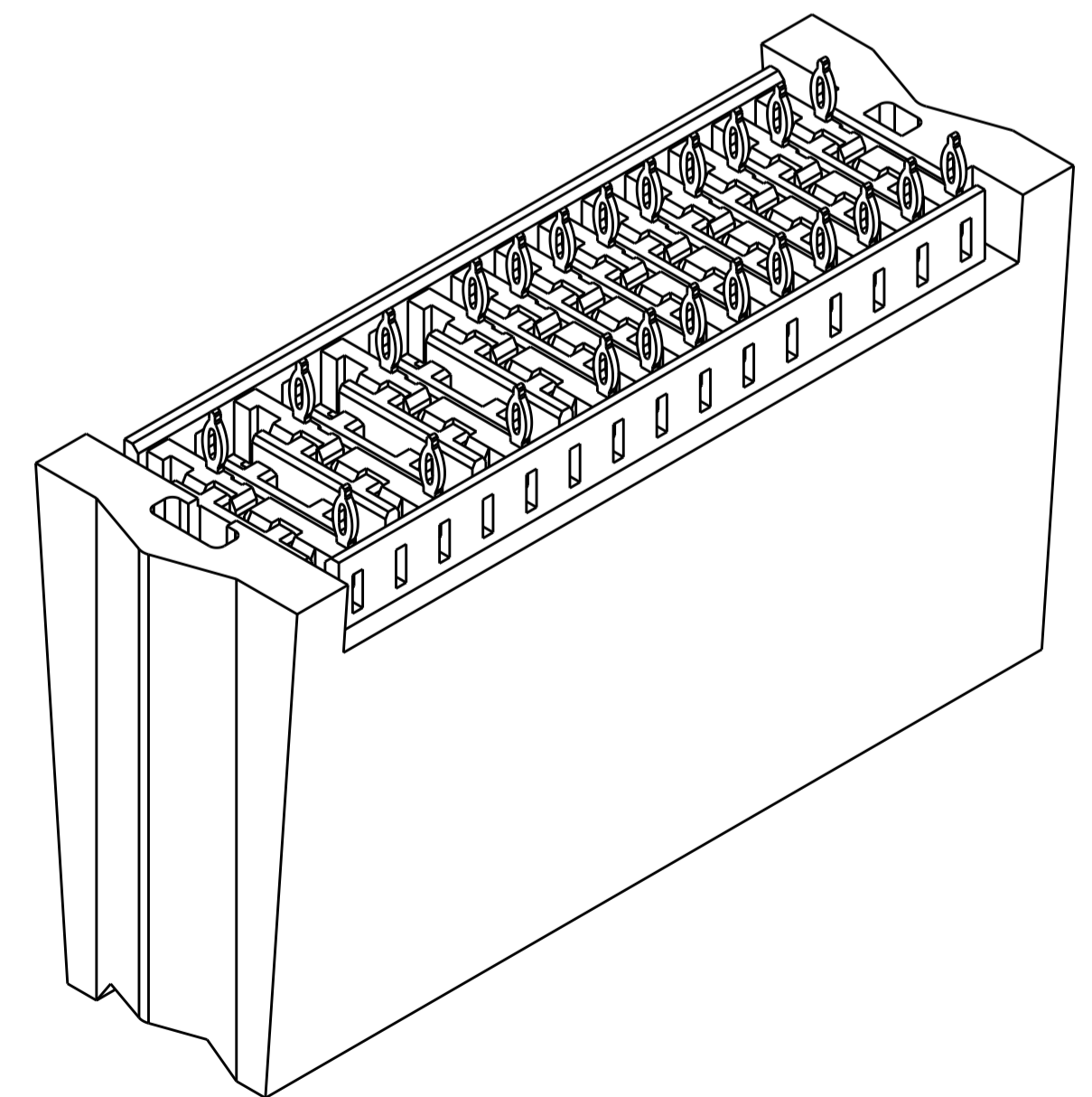
7 FINISH: MATING AREA- 1.27 $\mu\text{m}$  MIN. GOLD OVER 3.81 $\mu\text{m}$  MIN. NICKEL PLATE  
 0.64 $\mu\text{m}$  MIN. GOLD ON ADJACENT FLAT SIDES IN MATING AREA.  
 COMPLIANT PIN AREA- 1.27 $\mu\text{m}$  MIN. MATTE TIN PLATE OVER 1.27 $\mu\text{m}$  MIN.  
 NICKEL PLATE. MATING AREA AND ADJACENT FLAT SIDES LUBRICATED  
 WITH BELLCORE APPROVED LUBRICANT. TECHNICAL REFERENCE  
 GR-1217-CORE ISSUE 1, NOVEMBER 1995.

8 FINISH: MATING AREA- 0.76 $\mu\text{m}$  MIN. GOLD OVER 1.27 $\mu\text{m}$  MIN. NICKEL PLATE.  
 0.076 $\mu\text{m}$  MIN. GOLD ON ADJACENT FLAT SIDES IN MATING AREA.  
 COMPLIANT PIN AREA- 1.27 $\mu\text{m}$  MIN. MATTE TIN PLATE OVER 1.27 $\mu\text{m}$  MIN.  
 NICKEL PLATE. MATING AREA AND ADJACENT FLAT SIDES LUBRICATED  
 WITH BELLCORE APPROVED LUBRICANT. TECHNICAL REFERENCE GR-1217-CORE  
 ISSUE 1, NOVEMBER 1995.

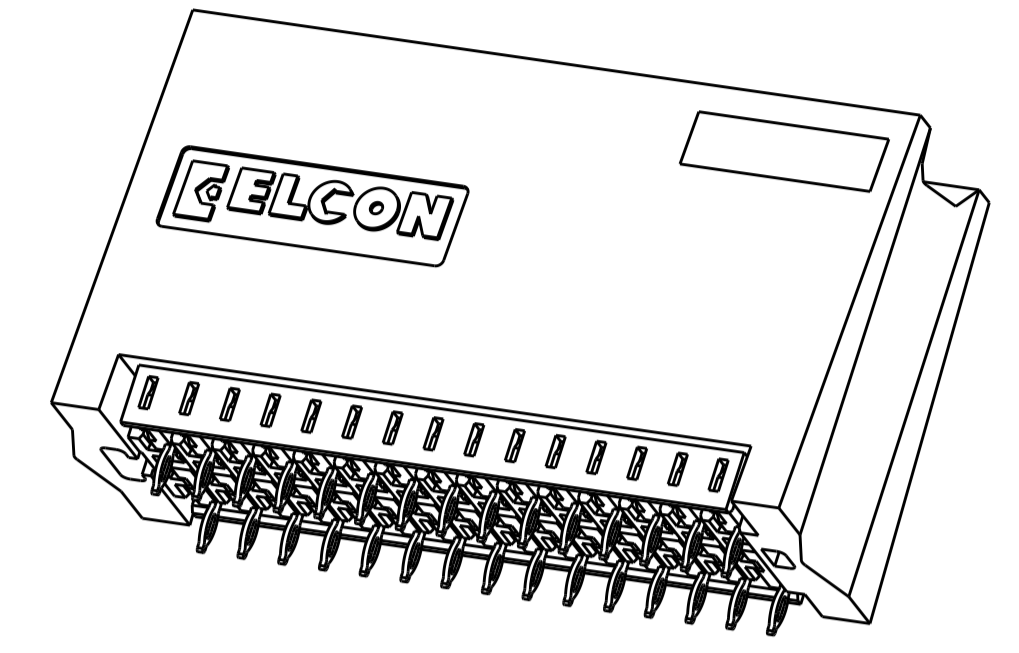
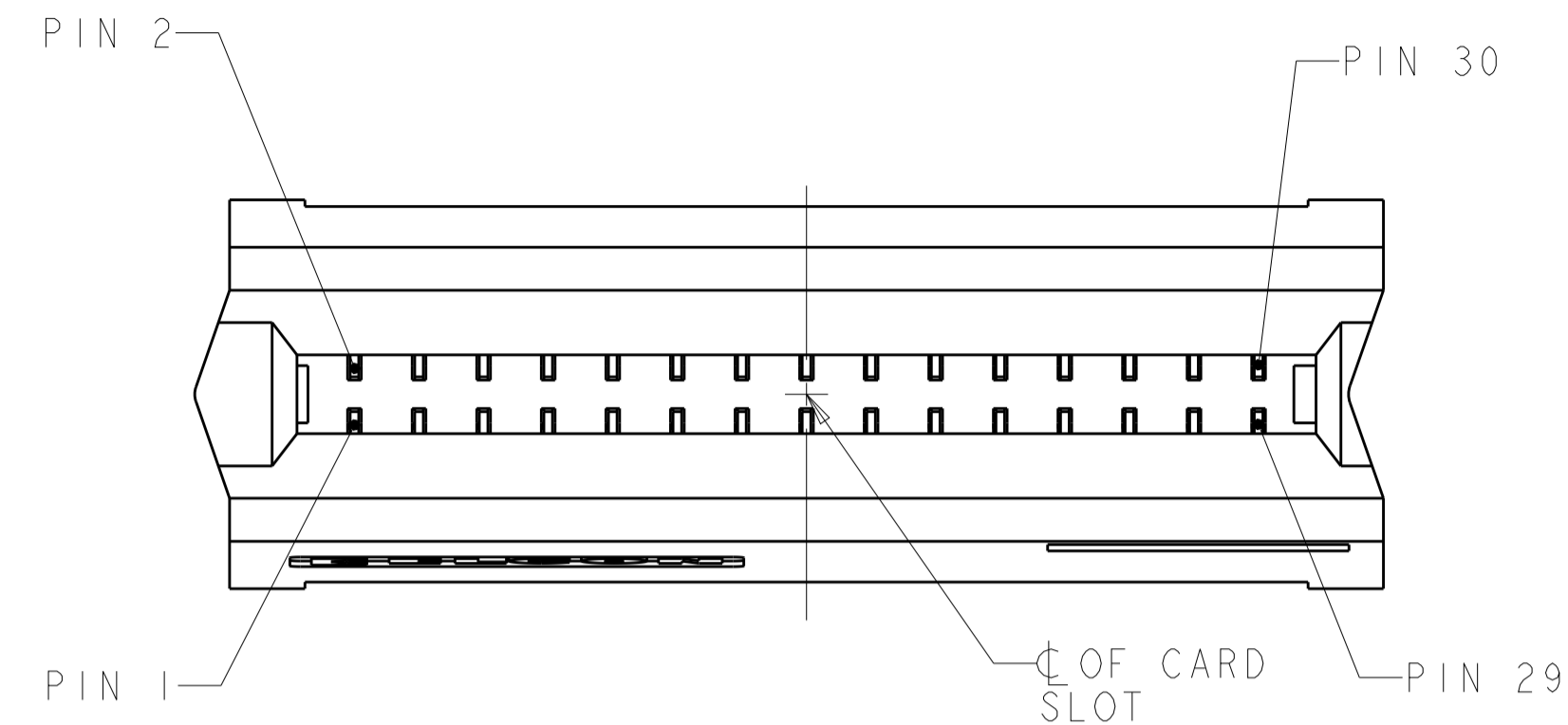
9. 450 LBS MAXIMUM FORCE ALLOWED ON TOP OF HOUSING DURING APPLICATION TO PCB TO PREVENT HOUSING DAMAGE.

10 FINISH: MATING AREA- 2.54 $\mu\text{m}$  MIN. GOLD OVER 3.81 $\mu\text{m}$  MIN. NICKEL PLATE  
 0.64 $\mu\text{m}$  MIN. GOLD ON ADJACENT FLAT SIDES IN MATING AREA.  
 COMPLIANT PIN AREA- 1.27 $\mu\text{m}$  MIN. MATTE TIN PLATE OVER 1.27 $\mu\text{m}$  MIN.  
 NICKEL PLATE. MATING AREA AND ADJACENT FLAT SIDES LUBRICATED  
 WITH BELLCORE APPROVED LUBRICANT. TECHNICAL REFERENCE  
 GR-1217-CORE ISSUE 1, NOVEMBER 1995.

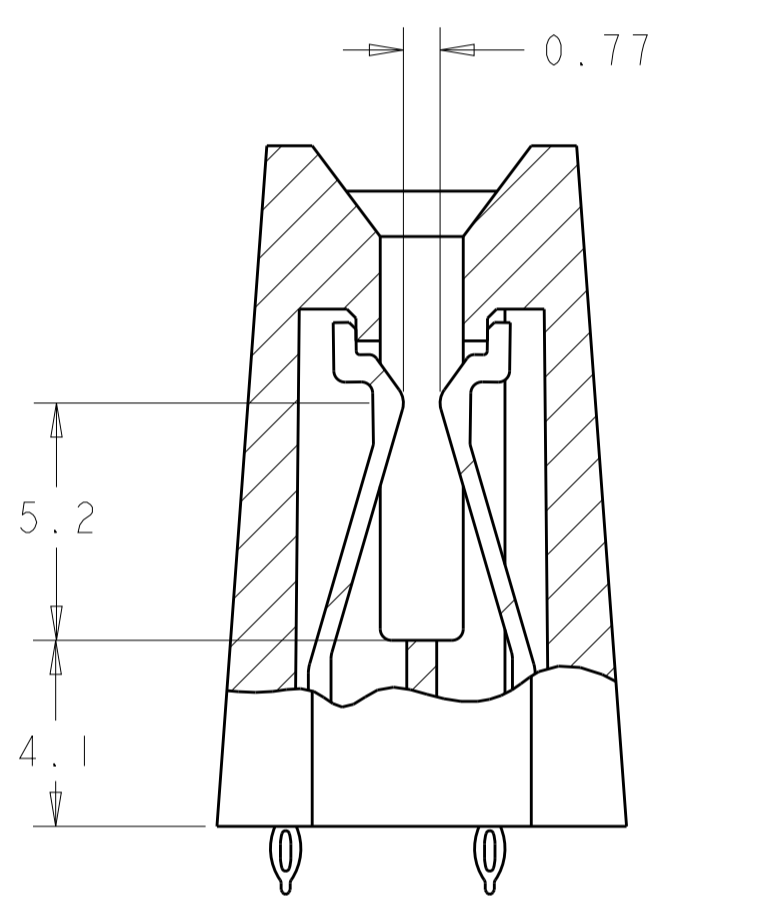
11 PREPRODUCTION, FASR REQUIRED  
 12 PART NUMBER WITH PIN OMITTED, SEE TABLE FOR LOCATION



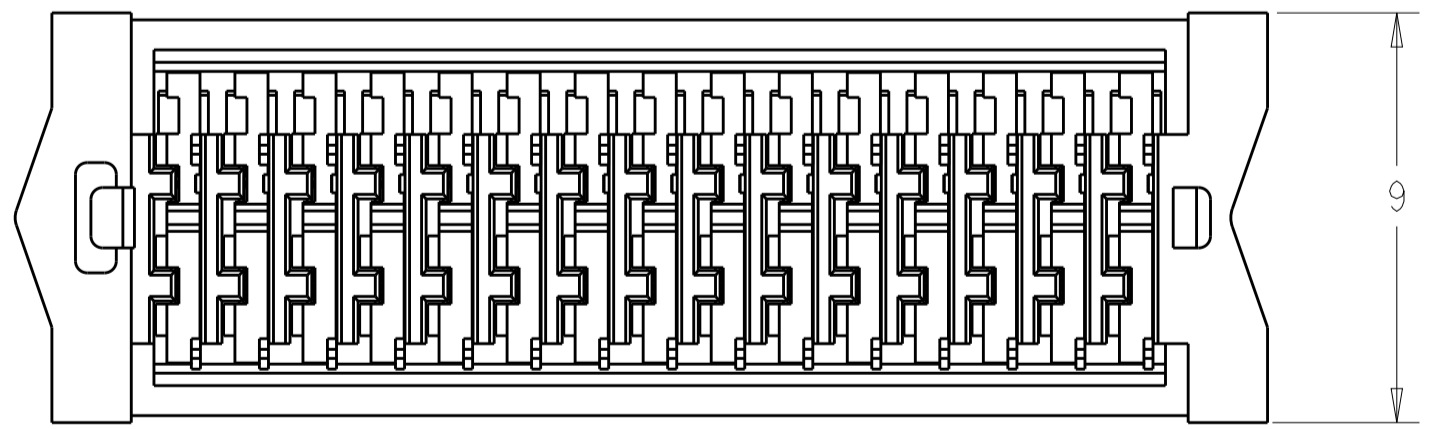
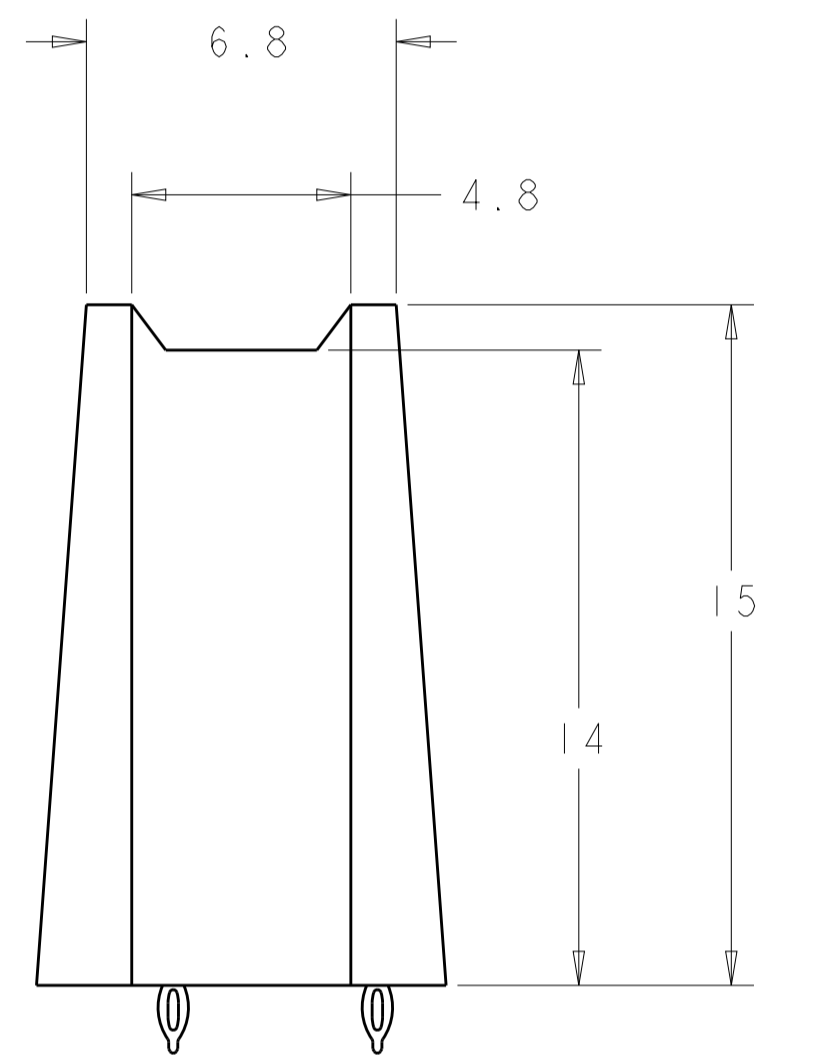
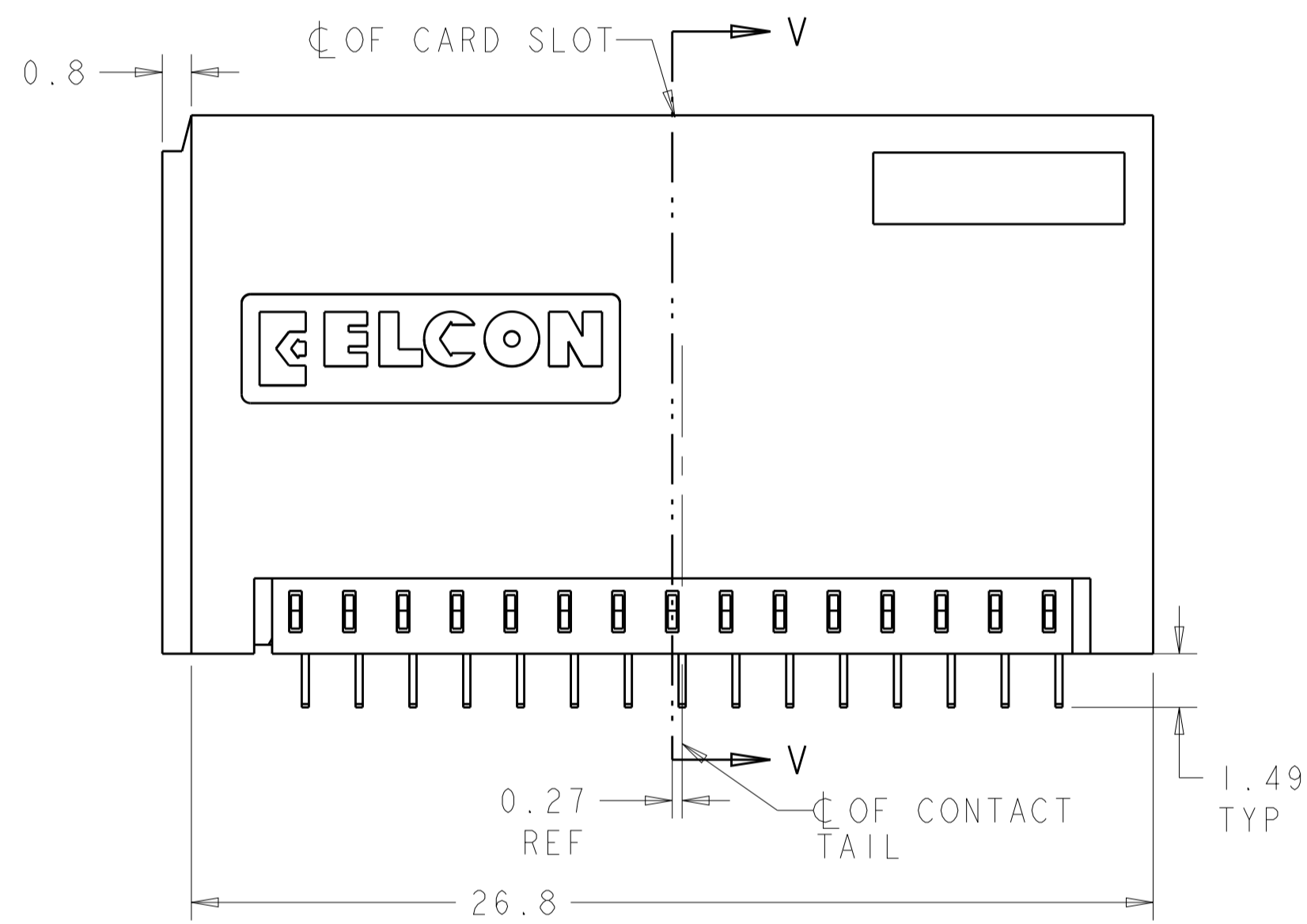
1926088-5  
 WITH PIN 3,4,7,8,11,12 OMITTED



SCALE 4:1



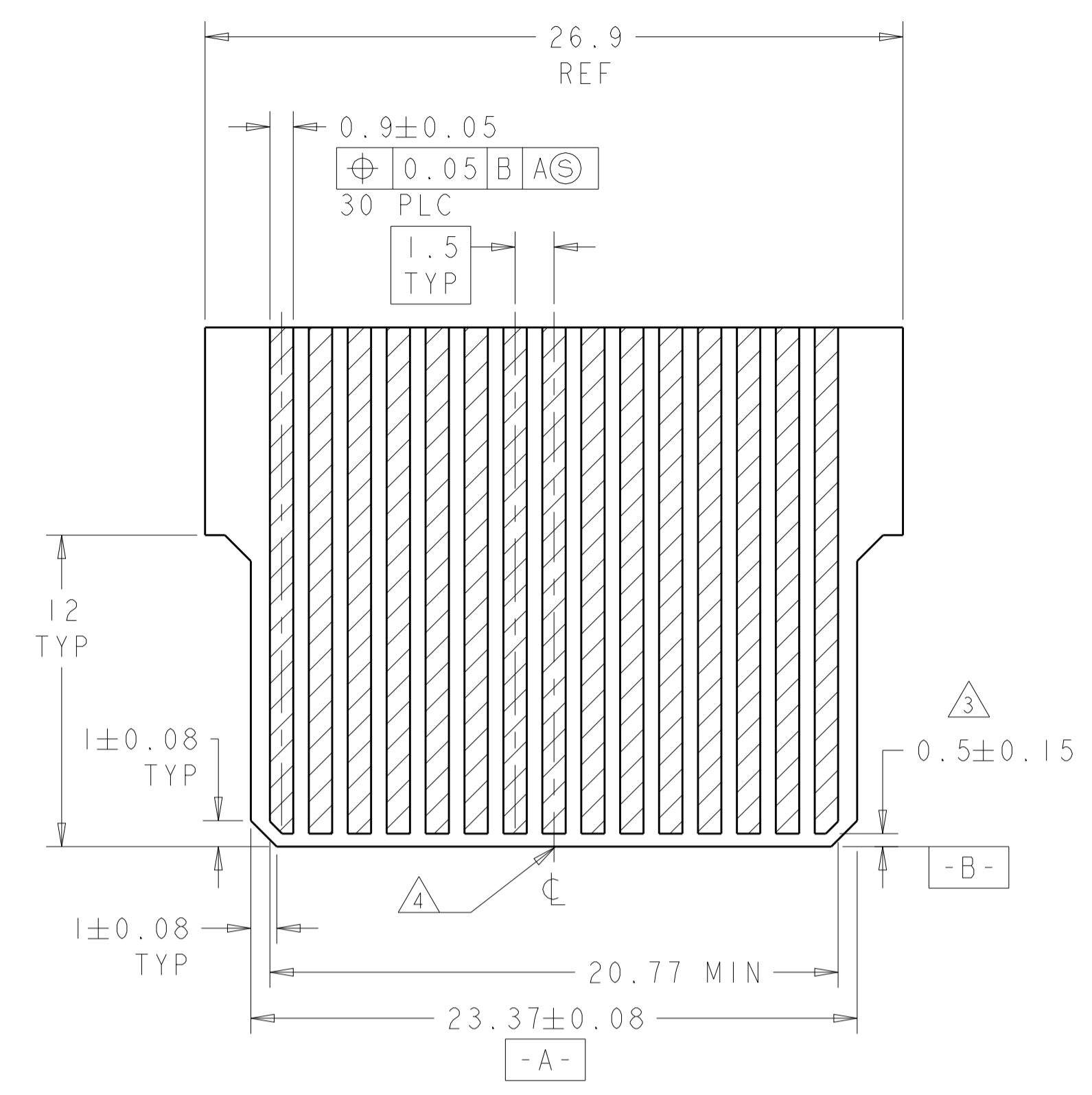
SECTION V-V



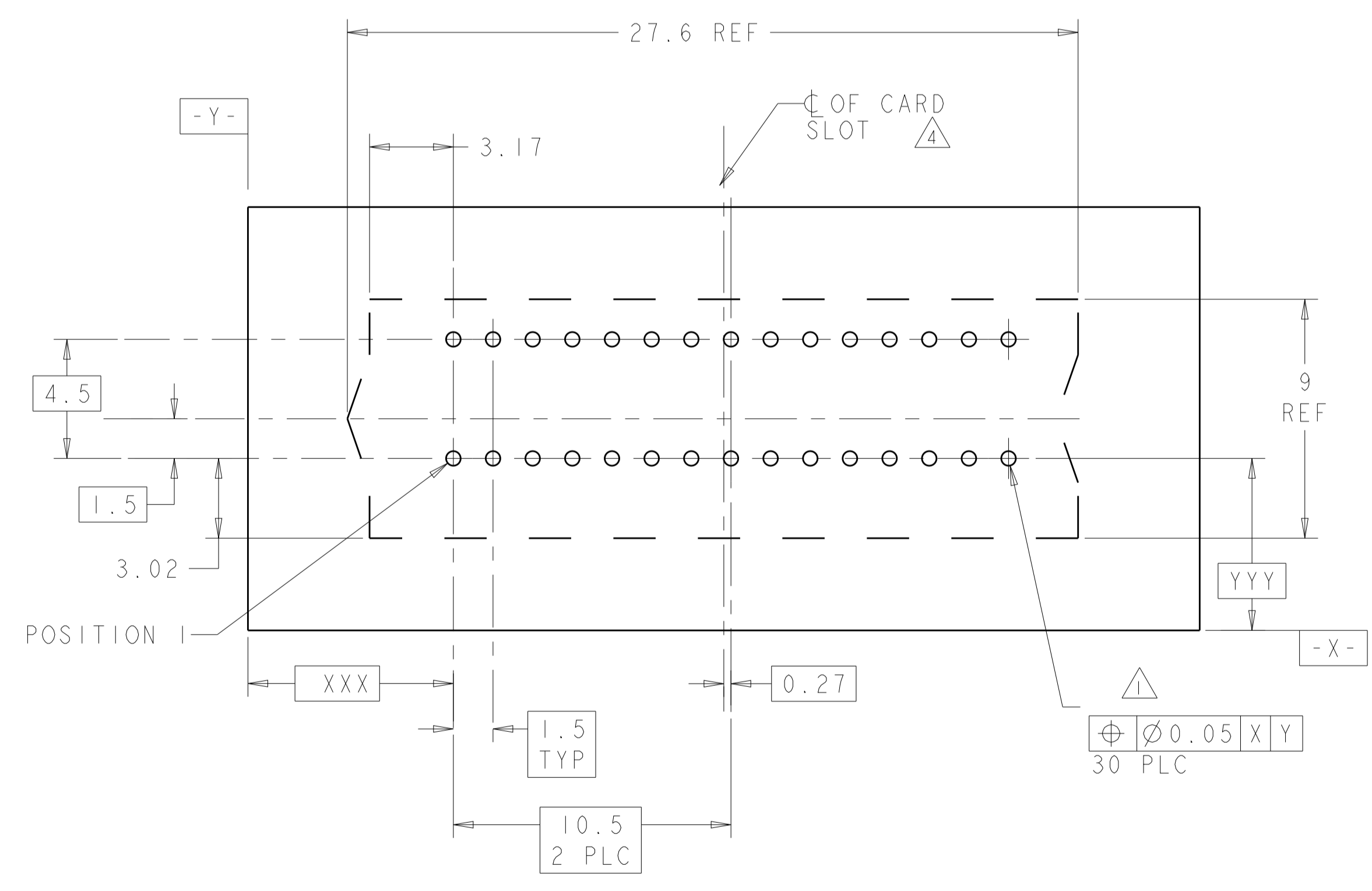
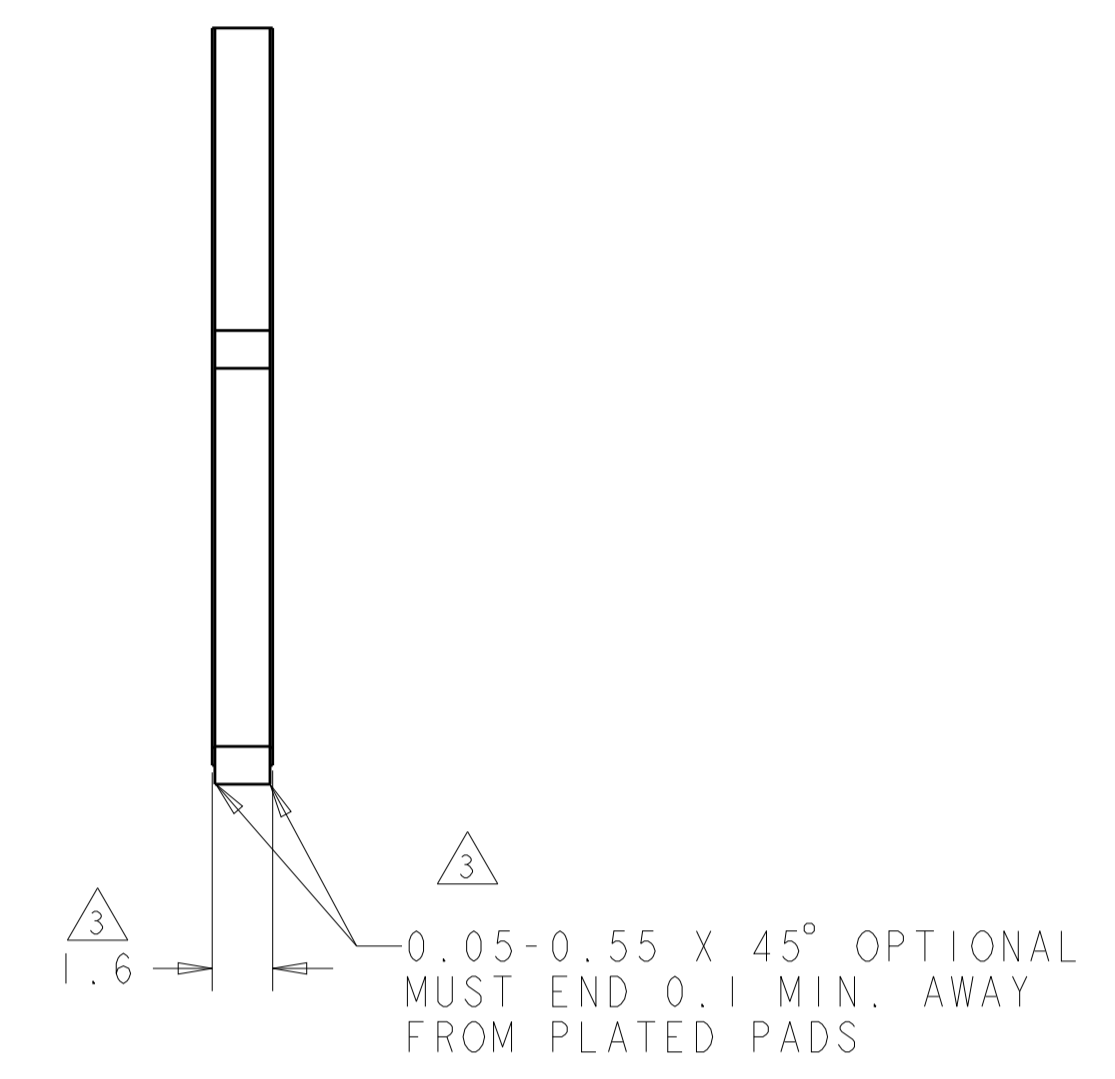
3, 4, 7, 8, 11, 12		1926088-5
		1926088-4
		1926088-3
		1926088-2
		1926088-1
OMITTED PIN	IBM PART NO	FINISH
	42R4709	
		PART NO

DIMENSIONS: mm 		TOLERANCES UNLESS OTHERWISE SPECIFIED: 0 PLC $\pm 0.25$ 1 PLC $\pm 0.25$ 2 PLC $\pm 0.13$ 3 PLC $\pm 0.08$ 4 PLC $\pm 0.08$ ANGLES $\pm 1^\circ$		DWN: JIM VAN SCOOC 06MAR2006 CHK: N. REESER 06MAR2006 APVD: N. REESER 06MAR2006		<b>tyco</b> Electronics Tyco Electronics Harrisburg, PA 17105-3608	
MATERIAL: -		FINISH: -		WEIGHT: -		NAME: ASSEMBLY, CROWN EDGE, VERTICAL CARD EDGE, 30 SIGNAL POSITION SIZE: A1 CAGE CODE: 00779 DRAWING NO: C=1926088 RESTRICTED TO: -	
CUSTOMER DRAWING				SCALE: 3:1		SHEET 1 OF 2 REV B2	

LOC	DIST	REVISIONS			
P	LTN	DESCRIPTION	DATE	DWN	APVD
-	-	SEE SHEET 1	-	-	-



DOUBLE SIDED PCB DAUGHTERCARD



PCB BOARD LAYOUT COMPONENT SIDE SHOWN

<small>THIS DRAWING IS UNPUBLISHED. RELEASED FOR PUBLICATION 20. IT IS THE PROPERTY OF TYCO ELECTRONICS CORPORATION. IT IS SUBJECT TO CHANGE AND WITHOUT WARRANTY. REVISIONS AND REVISIONS SHOULD BE CONTACTED FOR THE LATEST REVISION.</small>		DWN: 06MAR2006 CHK: N. REESER APVD: N. REESER PRODUCT SPEC: - APPLICATION SPEC: - WEIGHT: - CUSTOMER DRAWING: -	06MAR2006 06MAR2006 06MAR2006 NAME: ASSEMBLY, CROWN EDGE, VERTICAL CARD EDGE, 30 SIGNAL POSITION SIZE: A CAGE CODE: 1926088 SCALE: 3:1 SHEET: 2 OF 2 REV: B2	Tyco Electronics Harrisburg, PA 17105-3608
DIMENSIONS: mm TOLERANCES UNLESS OTHERWISE SPECIFIED: 0 PLC ±0.25 1 PLC ±0.25 2 PLC ±0.13 3 PLC ±0.08 4 PLC ± ANGLES ±1°	FINISH: -	MATERIAL: -	RESTRICTED TO: -	tyco Electronics