



MODEL NO: 17-21SOC/TR8

Device Number : DSE-171-055 REV. 1.1

0805 Package Chip LEDs

ECN : Page: 1/8

**Features :**

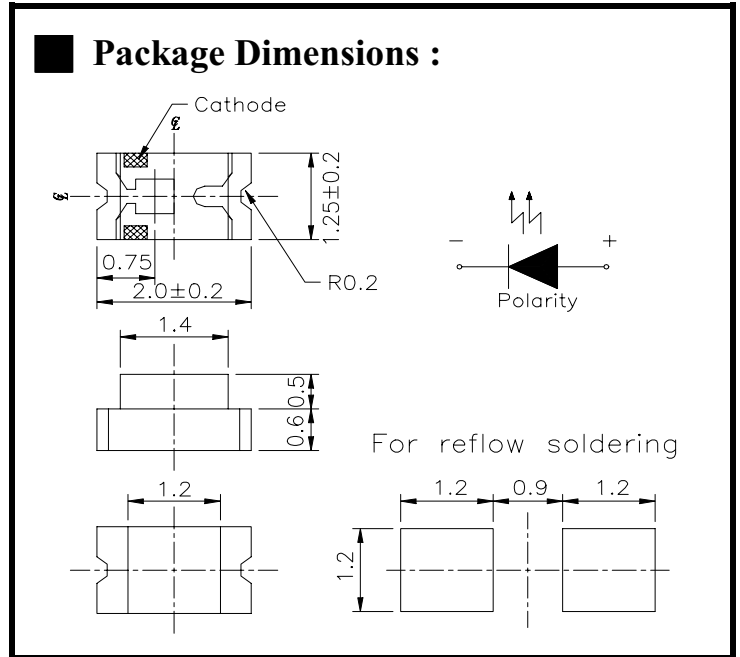
- Package in 8mm tape on 7" diameter reel.
- Compatible with automatic placement equipment.
- Compatible with infrared and vapor phase reflow solder process.
- Mono-color type.

**Descriptions :**

- The 17-21 SMD Taping is much smaller than lead frame type components, thus enable smaller board size, higher packing density, reduced storage space and finally smaller equipment to be obtained.
- Besides, lightweight makes them ideal for miniature applications, etc.

**Applications :**

- Automotive: backlighting in dashboard and switch.
- Telecommunication: indicator and backlighting in telephone and fax.
- Flat backlight for LCD, switch and symbol.
- General use.



**Notes :**

Tolerances Unless Dimension ± 0.1mm  
 Angle ± 0.5°  
 Unit = mm

| PART NO      | Chip      |               | Lens Color  |
|--------------|-----------|---------------|-------------|
|              | Material  | Emitted Color |             |
| 17-21SOC/TR8 | GaAsP/GaP | Sunset Orange | Water Clear |

Office: NO. 25, Lane 76, Sec.3, Chung Yang Rd., Tucheng 236, Taipei, Taiwan, R.O.C.

TEL: 886-2-2267-2000, 2267-9936

FAX: 886-2-2267-6244, 2267-6189, 2267-6306

http: //www.everlight.com

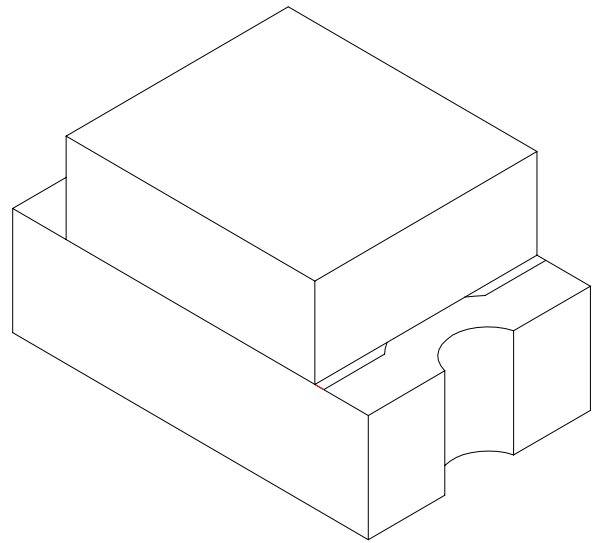
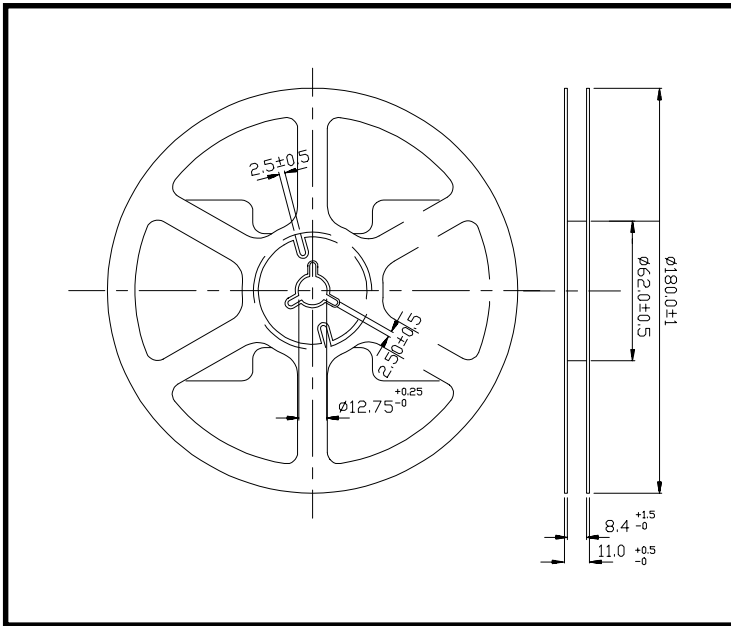


MODEL NO: 17-21SOC/TR8  
**0805 Package Chip LEDs**

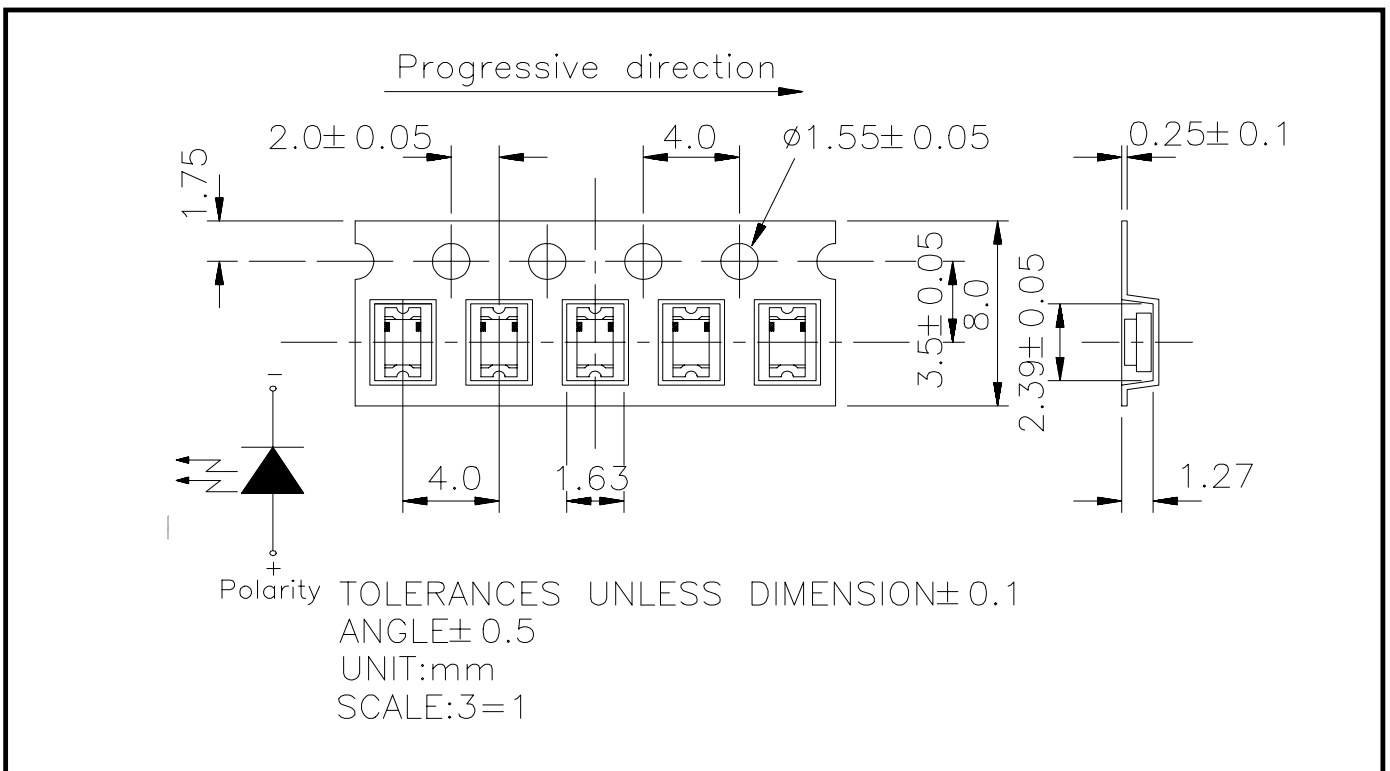
Device Number : DSE-171-055 REV. 1.1

ECN : ..... Page: 2/8

■ **Package Dimensions :**



■ **Loaded quantity per reel 3000 PCS/reel :**





MODEL NO: 17-21SOC/TR8

Device Number : DSE-171-055 REV. 1.1

**0805 Package Chip LEDs**

ECN : \_\_\_\_\_ Page: 3/8

■ **Absolute Maximum Ratings at Ta = 25°C :**

| Parameter                              | Symbol               | Rating             | Unit |
|--|----------------------|--------------------|------|
| Reverse Voltage                        | V <sub>R</sub>       | 5                  | V    |
| Forward Current                        | I <sub>F</sub>       | 40                 | mA   |
| Operating Temperature                  | T <sub>opr</sub>     | -40~ +85           | °C   |
| Storage Temperature                    | T <sub>stg</sub>     | -40 ~ +90          | °C   |
| Soldering Temperature                  | T <sub>sol</sub>     | 260 (for 5 second) | °C   |
| Power Dissipation                      | P <sub>d</sub>       | 110                | mW   |
| Peak Forward Current(Duty 1/10 @ 1KHZ) | I <sub>F(Peak)</sub> | 180                | mA   |

■ **Electronic Optical Characteristics :**

| Parameter                    | Symbol         | Min.  | Typ.  | Max.  | Unit | Condition            |
|------------------------------|----------------|-------|-------|-------|------|----------------------|
| Luminous Intensity           | I <sub>v</sub> | 3.0   | 5.5   | ----- | mcd  | I <sub>F</sub> =20mA |
| Viewing Angle                | 2θ 1/2         | ----- | 140   | ----- | deg  | I <sub>F</sub> =20mA |
| Peak Wavelength              | λ <sub>p</sub> | ----- | 610   | ----- | nm   | I <sub>F</sub> =20mA |
| Dominant Wavelength          | λ <sub>d</sub> | ----- | 605   | ----- | nm   | I <sub>F</sub> =20mA |
| Spectrum Radiation Bandwidth | △λ             | ----- | 40    | ----- | nm   | I <sub>F</sub> =20mA |
| Forward Voltage              | V <sub>F</sub> | 1.7   | 2.0   | 2.4   | V    | I <sub>F</sub> =20mA |
| Reverse Current              | I <sub>R</sub> | ----- | ----- | 10    | μA   | V <sub>R</sub> =5V   |



MODEL NO: 17-21SOC/TR8

Device Number : DSE-171-055 REV. 1.1

**0805 Package Chip LEDs**

ECN : \_\_\_\_\_ Page: 4/8

■ **Reliability Test Items And Conditions :**

| NO | Item                                | Test Conditions                               | Test Hours/Cycle | Sample Size | Ac/Re |
|----|-------------------------------------|---|------------------|-------------|-------|
| 1  | Solder Heat                         | TEMP : 260°C ± 5 °C                           | 5 SEC            | 76 PCS      | 0/1   |
| 2  | Temperature Cycle                   | H : +85°C 30min<br>∩ 5 min<br>L : -55°C 30min | 50 CYCLE         | 76 PCS      | 0/1   |
| 3  | Thermal Shock                       | H : +100°C 5min<br>∩ 10 sec<br>L : -10°C 5min | 50 CYCLE         | 76 PCS      | 0/1   |
| 4  | High Temperature Storage            | TEMP : 100°C                                  | 1000 HRS         | 76 PCS      | 0/1   |
| 5  | Low Temperature Storage             | TEMP : -55°C                                  | 1000 HRS         | 76 PCS      | 0/1   |
| 6  | DC Operating Life                   | I <sub>F</sub> = 20 mA                        | 1000 HRS         | 76 PCS      | 0/1   |
| 7  | High Temperature /<br>High Humidity | 85°C/85% RH                                   | 1000 HRS         | 76 PCS      | 0/1   |



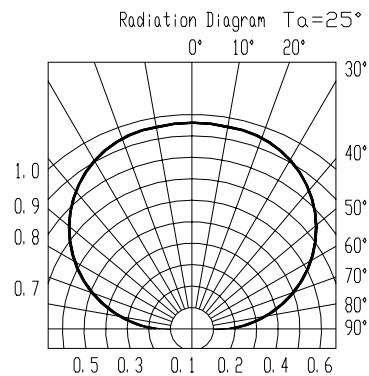
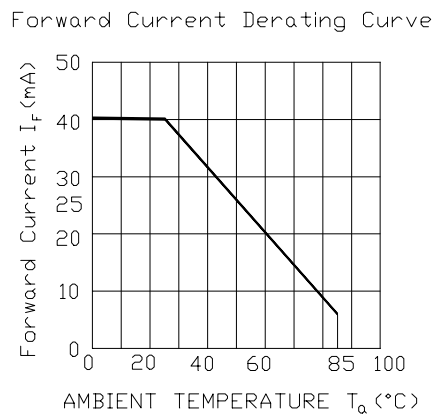
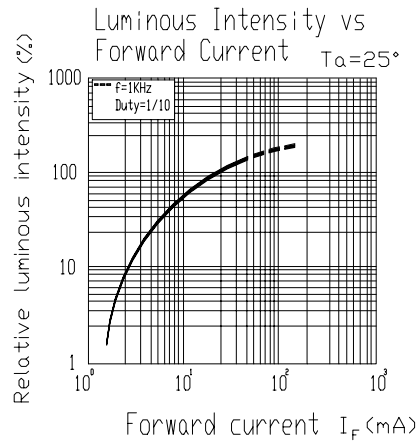
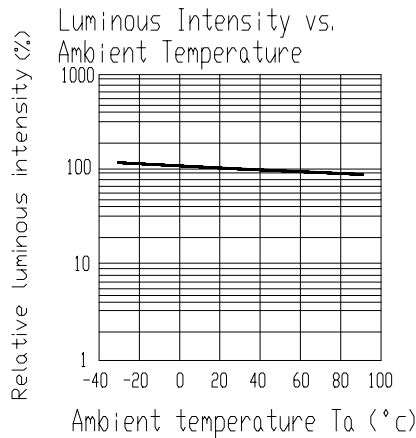
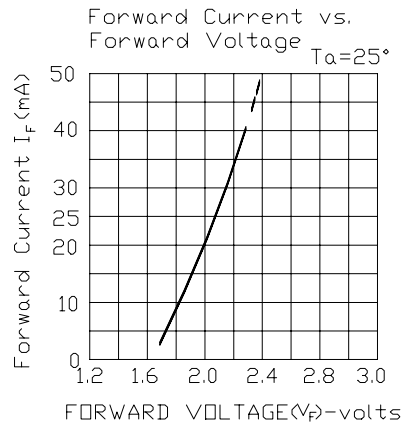
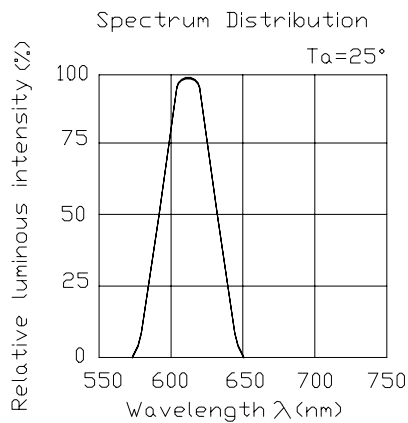
MODEL NO: 17-21SOC/TR8

Device Number : DSE-171-055 REV. 1.1

0805 Package Chip LEDs

ECN : Page: 5/8

**Typical Electro-Optical Characteristic Curves :**



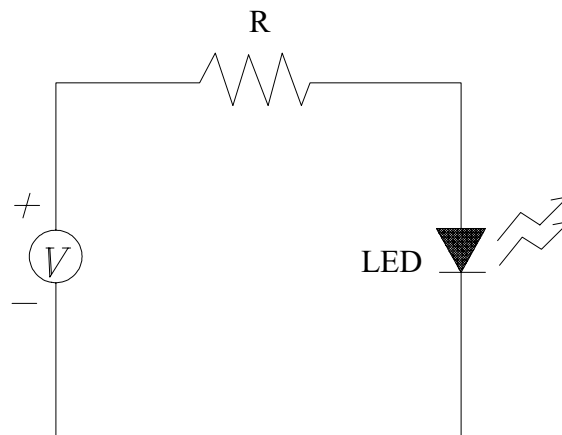


MODEL NO: 17-21SOC/TR8  
*0805 Package Chip LEDs*

Device Number : DSE-171-055 REV. 1.1

ECN : \_\_\_\_\_ Page: 6/8

■ **Test Circuit :**



■ **Precautions For Use :**

1. Over-current-proof

Customer must apply resistors for protection , otherwise slight voltage shift will cause big current change ( Burn out will happen ).

2. Storage time

2.1 The operation of temperature and R.H. are :  $5^{\circ}\text{C}\sim 35^{\circ}\text{C}$  , R.H.60%.

2.2 Once the package is opened, the products should be used within a week.

Otherwise, they should be keeping in a damp proof box with desiccant agent.

Considering the tape life , we suggest our customers to use our products within a year(from production date).

2.3 If opened more than one week in an atmosphere  $5^{\circ}\text{C}\sim 35^{\circ}\text{C}$  , R.H.60%, they should be treated at  $60^{\circ}\text{C}\pm 5^{\circ}\text{C}$  for 15hrs.

2.4 When you discover that the desiccant in the package has a pink color (Normal = blue), you should treat them in the same conditions as 2.3.



MODEL NO: 17-21SOC/TR8

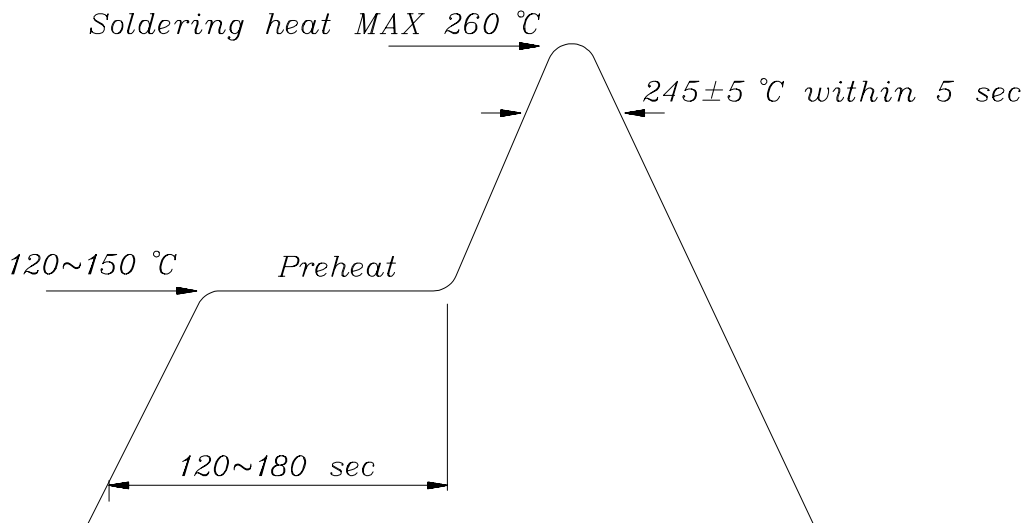
Device Number : DSE-171-055 REV. 1.1

**0805 Package Chip LEDs**

ECN : \_\_\_\_\_ Page: 7/8

**■ Soldering heat reliability ( DIP ) :**

Please refer to the following figure :

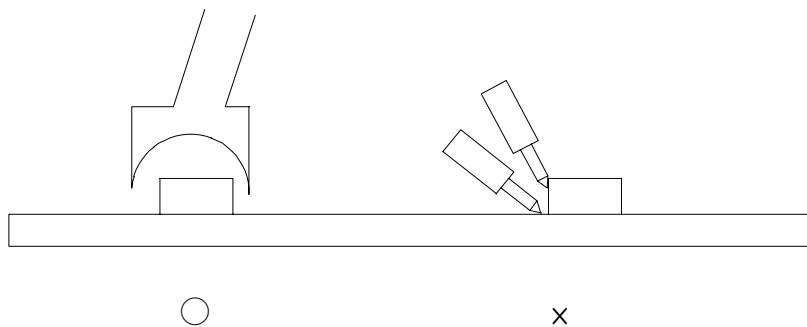


**■ Soldering Iron**

Basic spec is  $\leq 5$  sec when  $260^{\circ}\text{C}$ . If temperature is higher, time should be shorter ( $+10^{\circ}\text{C} \rightarrow -1\text{sec}$ ). Power dissipation of iron should be smaller than 15 W , and temperature should be controllable. Surface temperature of the device should be under  $230^{\circ}\text{C}$ .

**■ Rework**

1. Customer must finish rework within 5 sec under  $260^{\circ}\text{C}$ .
2. The head of iron can not touch copper foil.
3. Twin-head type is preferred.





MODEL NO: 17-21SOC/TR8

Device Number : DSE-171-055 REV. 1.1

**0805 Package Chip LEDs**

ECN : ..... Page: 8/8

■ Reflow Temp / Time :

