



## Model Number

SJ15-WS

## Features

- 15 mm slot width
- 2-wire AC

## Technical Data

### General specifications

Switching function	Normally open (NO)
Output type	Two-wire
Slot width	15 mm
Depth of immersion (lateral)	18.5 ... 20.5 mm
Output polarity	AC
Output type	2-wire

### Nominal ratings

Operating voltage	$U_B$	20 ... 253 V AC
Switching frequency	$f$	0 ... 25 Hz
Hysteresis	$H$	typ. 5%
Voltage drop	$U_d$	Typ. 4 V at 40 ... 500 mA load current Typ. 5 V at 15 ... 40 mA load current Typ. 7 V at 5 ... 15 mA load current

### Voltage drop at $I_L$

Voltage drop $I_L = 200$ mA, switching element on $U_d$	3.5 V
---	-------

Momentary current (20 ms, 0.1 Hz)	$\leq 4000$ mA
-----------------------------------	----------------

Operating current	$I_L$	5 ... 500 mA
Off-state current	$I_r$	$\leq 2$ mA

### Functional safety related parameters

MTTF <sub>d</sub>	1553 a
Mission Time ( $T_M$ )	20 a
Diagnostic Coverage (DC)	0 %

### Ambient conditions

Ambient temperature	-25 ... 70 °C (-13 ... 158 °F)
---------------------	--------------------------------

### Mechanical specifications

Connection type	cable PVC , 2 m
Core cross-section	0.75 mm <sup>2</sup>
Housing material	PBT
Degree of protection	IP67
Note	<sup>1)</sup> In the temperature range below 0 °C, permissible operating voltage $U_b$ 80...253 V Safety fuse $\leq 2$ A (quick-blow) according to IEC 60127-2 Sheet 1 Recommendation: after a short circuit, check that the device is functioning correctly.

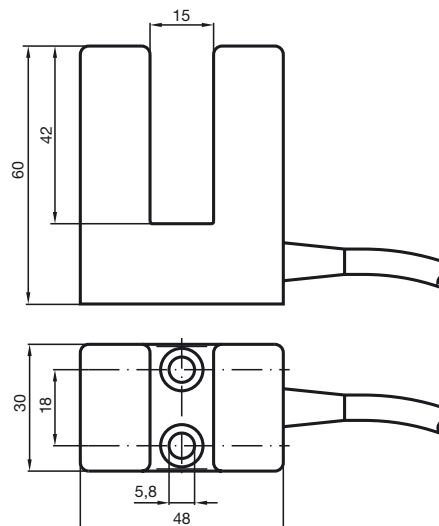
### Compliance with standards and directives

Standard conformity	
Standards	EN 60947-5-2:2007 EN 60947-5-2/A1:2012 IEC 60947-5-2:2007 IEC 60947-5-2 AMD 1:2012

### Approvals and certificates

UL approval	cULus Listed, General Purpose
CSA approval	cCSAus Listed, General Purpose
CCC approval	Certified by China Compulsory Certification (CCC)

## Dimensions



Electrical Connection

