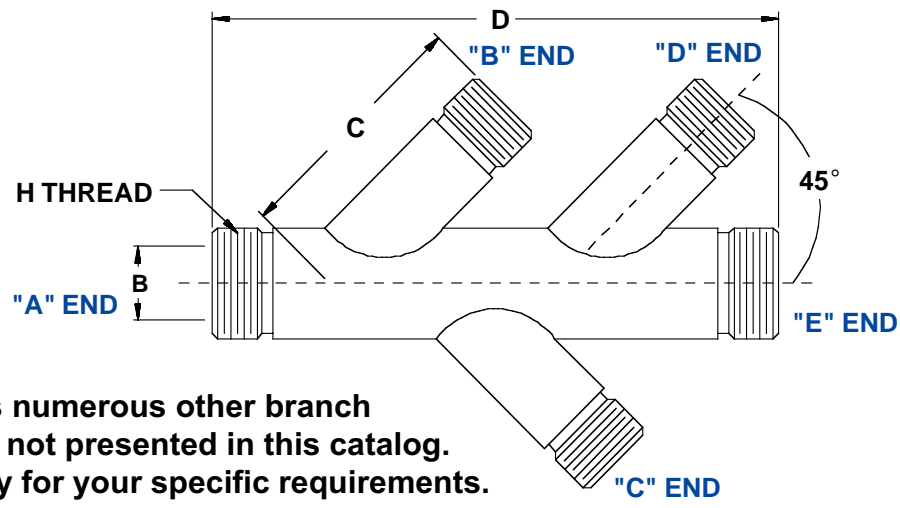
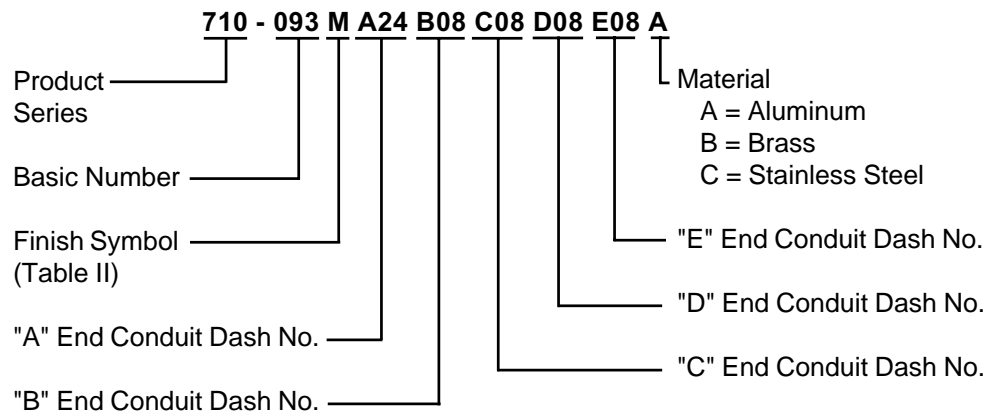


# 710-093 Metal Multi-Branch Transitions for Series 72 & 74 Tubing and Series 75 Conduit



Adapters and Transitions



**Glenair also offers numerous other branch assembly designs not presented in this catalog. Consult the factory for your specific requirements.**

DASH AVAILABILITY				H THREAD CLASS 2A	B MAX	C MAX	D MAX
NO.	72	74	75				
06		06		7/16 - 28 UNEF	.192 (4.9)	1.200 (30.5)	3.940 (100.1)
08			08	1/2 - 20 UNEF	.255 (6.5)	1.200 (30.5)	3.940 (100.1)
09		09	09	9/16 - 24 UNEF	.286 (7.3)	1.340 (34.0)	4.440 (112.8)
10			10	9/16 - 24 UNEF	.317 (8.1)	1.340 (34.0)	4.440 (112.8)
12	12	12	12	5/8 - 24 UNEF	.380 (9.7)	1.340 (34.0)	4.440 (112.8)
14			14	11/16 - 24 UNEF	.442 (11.2)	1.490 (37.8)	4.740 (120.4)
16	16	16	16	3/4 - 20 UNEF	.505 (12.8)	1.490 (37.8)	4.740 (120.4)
20	20	20	20	7/8 - 20 UNEF	.630 (16.0)	1.700 (43.2)	5.380 (136.7)
24	24	24	24	1 - 20 UNEF	.755 (19.2)	1.840 (46.7)	5.500 (139.7)
28	28	28		1 3/16 - 18 UNEF	.880 (22.4)	2.230 (56.6)	6.560 (166.6)
32	32	32	32	1 5/16 - 18 UNEF	1.005 (25.5)	2.230 (56.6)	6.560 (166.6)
40	40	40	40	1 1/2 - 18 UNEF	1.255 (31.9)	2.500 (63.5)	7.180 (182.4)
48		48	48	1 3/4 - 18 UNS	1.505 (38.2)	2.960 (75.2)	8.460 (214.9)
56		56	56	2 - 18 UNS	1.755 (44.6)	3.500 (88.9)	10.000 (254.0)
64		64	64	2 1/4 - 16 UN	2.005 (50.9)	3.500 (88.9)	10.000 (254.0)
80			80	2 3/4 - 16 UN	2.505 (63.6)	4.280 (108.7)	11.370 (288.8)
*							

Consult factory for fittings using 3.00 inch (76.2) conduit.

SYMBOL	FINISH
B	Olive Drab over Cadmium Plate
J	Gold Iridite over Cadmium Plate over Nickel
M	Electroless Nickel
N	Olive Drab over Cadmium Plate over Nickel
NC	Zinc Cobalt, Olive Drab
NF	Olive Drab over Cadmium Plate over Electroless Nickel (500 Hour Salt Spray)
T	Bright Dip Cadmium Plate over Nickel
Z1	Passivate

Metric dimensions (mm) are in parentheses.