



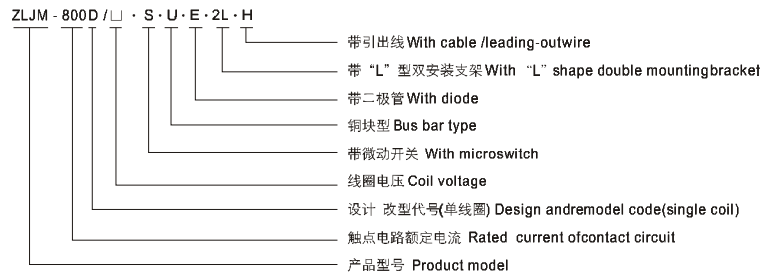
DONGYA ELECTRONIC



ZLJM-800D

Series contactors
系列接触器

1 产品型号含义 Nomination(nomogram)



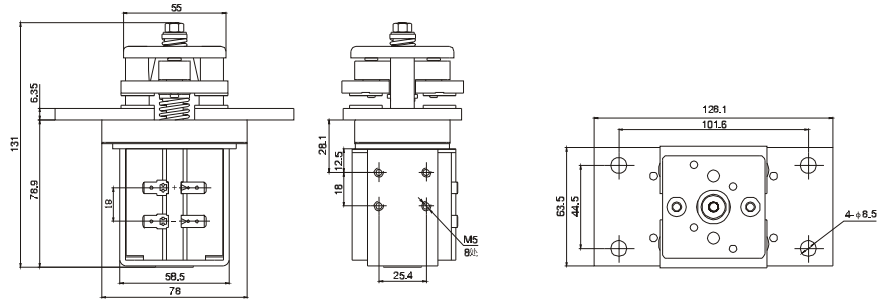
2 使用条件 Use conditions required

环境温度 Ambient temperature: -25~+40°C
 相对湿度 Relative humidity: +20°C达98%(upto 98% at +20°C)
 固定处的振动频率 Vibration freq. atthe fixed position:
 3g, 1~50Hz 振幅 0.5mm
 3g, 1~50Hz ampli 0.5mm

安装方向 Mounting directions:
 触点向上及水平位置

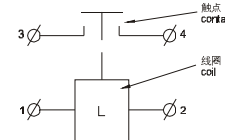
The contactors canbe mounted verticallyor horizontally,if mounted verticallythe coil shouldbe at thebottom

3 外形安装图 Configurational mounting diagram

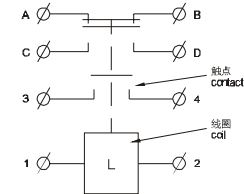


4 线路原理图 Circuit diagram

ZLJM-800D/
 1-简单开关(SPST N.O.)
 3-4/触点接线端(3, 4 contact terminal)
 1, 2/线圈接线端(1, 2 coil terminal)
 L/接线端(L is winding)



ZLJM-800D/L-S
 1-软常开线(SPST N.O.)
 带微动开关(With Microswitch)
 3, 4/触点接线端(3, 4 contact terminal)
 1, 2/线圈接线端(1, 2 coil terminal)
 L/接线端(L is winding)
 A, B, C, D/常动开关接线端(A, B, C, D
 aux.contact terminal)



5 简要技术数据 Basic technical data

编号 NO.	参数名称 Parameters	产品代号 Product code	
		ZLJM-800D系列Series	
1	线圈额定电压 Rated coil volt(VDC)	12, 24, 30, 48, 60, 72, 120等(etc)	
2	线圈功耗 Coil Power dissipation(W)	15-25	
3	触点电路额定电压 Rated volt ofcontact circuit(V DC)	60	
4	触点电路额定负载电流 Rated load currentof contact circuit(A)	800A	
5	(20±5)°C下, 冷态动作电压(V) Operating volt in cold state at(20±5)°C	吸合 Pick-up	不大于线圈额定电压的70% Not above 70% of rated coil volt
		释放 Release	线圈额定电压的(5~30)% (5~30)% of rated coil volt
6	额定电压下最大动作时间(ms)(线圈不带抑制电器) Max. operating time at rated volt(ms) (Coil with nosuppression circuit)	50	
7	抗电强度 Puncture(volt)strength	50Hz 1000V AC 1min	
8	100A负载下主触点接触压降 Contact volt drop of main contact at 100A	不大于80mV not above 80mV	
9	电寿命 Electric life	20,000 Ops.	
10	机械寿命 Mechanical life	10万次 100,000 Ops.	
11	工作规范 Working duty	连续 Continuous	