



■ Features :

- AC input active surge current limiting
- Built-in active PFC function
- Protections: Short circuit / Overload / Over voltage / Over temperature
- Built-in constant current limiting circuit
- Built-in remote ON-OFF control
- Built-in remote sense function
- 3 years warranty

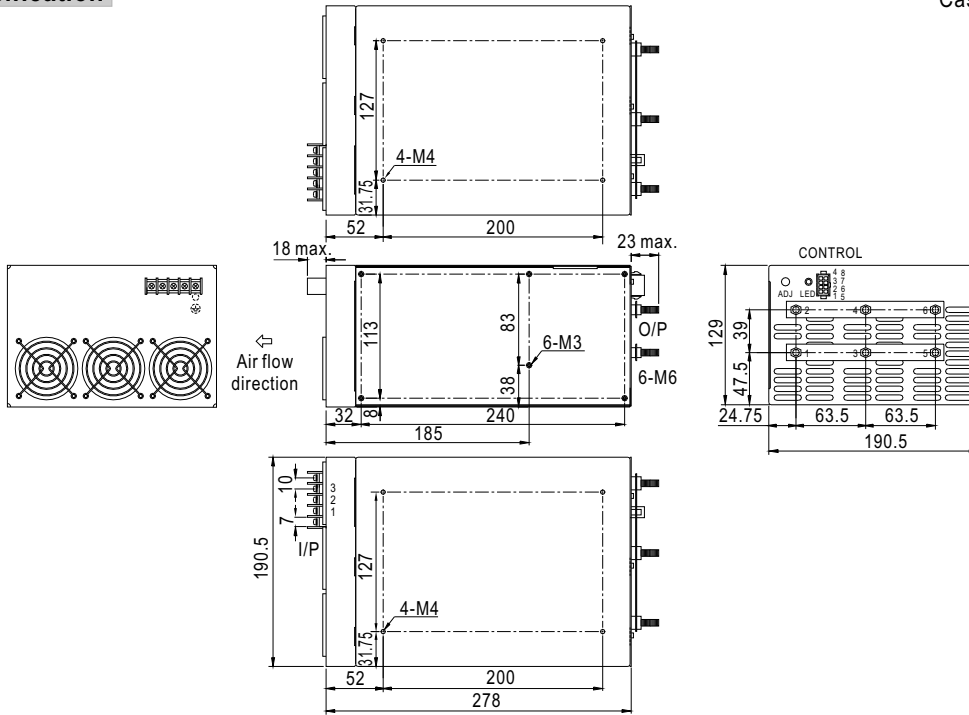


SPECIFICATION

MODEL		PSP-1500-5	PSP-1500-12	PSP-1500-13.5	PSP-1500-15	PSP-1500-24	PSP-1500-27	PSP-1500-48	
OUTPUT	DC VOLTAGE	5V	12V	13.5V	15V	24V	27V	48V	
	RATED CURRENT	217.5A	112.5A	100.5A	90A	56.4A	50.4A	28.5A	
	CURRENT RANGE	0 ~ 217.5A	0 ~ 112.5A	0 ~ 100.5A	0 ~ 90A	0 ~ 56.4A	0 ~ 50.4A	0 ~ 28.5A	
	RATED POWER	1087.5W	1350W	1356.75W	1350W	1353.6W	1360.8W	1368W	
	PEAK LOAD <small>Note.4</small>	1200W	1500W	1500W	1500W	1500W	1500W	1500W	
	RIPPLE & NOISE (max.) <small>Note.2</small>	100mVp-p	150mVp-p	150mVp-p	150mVp-p	150mVp-p	150mVp-p	200mVp-p	
	VOLTAGE ADJ. RANGE	4.75 ~ 5.5V	10 ~ 13.2V	12 ~ 15V	13.5 ~ 18V	20 ~ 26.4V	24 ~ 30V	41 ~ 56V	
	VOLTAGE TOLERANCE <small>Note.3</small>	6.0%	3.0%	2.0%	2.0%	1.0%	1.0%	1.0%	
	LINE REGULATION	0.5%	0.3%	0.3%	0.3%	0.2%	0.2%	0.2%	
	LOAD REGULATION	2.0%	0.5%	0.5%	0.5%	0.5%	0.5%	0.5%	
SETUP, RISE TIME	1500ms, 50ms/230VAC at full load								
HOLD UP TIME (Typ.)	24ms/230VAC at full load								
INPUT	VOLTAGE RANGE	176 ~ 264VAC		248 ~ 370VDC					
	FREQUENCY RANGE	47 ~ 63Hz							
	POWER FACTOR (Typ.)	0.96/230VAC at full load							
	EFFICIENCY (Typ.)	77%	84%	84%	84%	85%	85%	86%	
	AC CURRENT (Typ.)	8.4A/230VAC							
	INRUSH CURRENT (Typ.)	80A/230VAC							
LEAKAGE CURRENT	<3.5mA / 240VAC								
PROTECTION	OVERLOAD	115 ~ 140% rated output power Protection type : Constant current limiting, recovers automatically after fault condition is removed							
	OVER VOLTAGE	5.75 ~ 6.75V	13.8 ~ 16.2V	15.5 ~ 18.2V	18 ~ 21V	27.6 ~ 32.4V	31 ~ 36.5V	57.6 ~ 67.2V	
	OVER TEMPERATURE	95°C (TSW1) detect on the heatsink of PFC MOSFET				90°C (TSW2) detect the winding of output choke			
	Protection type : Shut down o/p voltage, recovers automatically after temperature goes down								
FUNCTION	REMOTE CONTROL	RC+/RC-: 0 ~ 0.8V=power on ; 4 ~ 10V=power off sink current <30mA							
ENVIRONMENT	WORKING TEMP.	-10 ~ +60°C (Refer to output load derating curve)							
	WORKING HUMIDITY	20 ~ 90% RH non-condensing							
	STORAGE TEMP., HUMIDITY	-20 ~ +85°C, 10 ~ 95% RH							
	TEMP. COEFFICIENT	0.03%/°C (0 ~ 50°C)							
	VIBRATION	10 ~ 500Hz, 2G 10min./1cycle, 60min. each along X, Y, Z axes							
SAFETY & EMC <small>(Note 5)</small>	SAFETY STANDARDS	UL60950-1, TUV EN60950-1 approved							
	WITHSTAND VOLTAGE	I/P-O/P:3KVAC I/P-FG:1.5KVAC O/P-FG:0.5KVAC							
	ISOLATION RESISTANCE	I/P-O/P, I/P-FG, O/P-FG:100M Ohms/500VDC							
	EMI CONDUCTION & RADIATION	Compliance to EN55022 (CISPR22) Class B							
	HARMONIC CURRENT	Compliance to EN61000-3-2,-3							
	EMS IMMUNITY	Compliance to EN61000-4-2,3,4,5,6,8,11; ENV50204, EN55024, light industry level, criteria A							
OTHERS	MTBF	43.4K hrs min. MIL-HDBK-217F (25°C)							
	DIMENSION	278*129*190.5mm (L*W*H)							
	PACKING	7.4Kg; 2pcs/15.5Kg/1.28CUFT							
NOTE	<ol style="list-style-type: none"> 1. All parameters NOT specially mentioned are measured at 230VAC input, rated load and 25°C of ambient temperature. 2. Ripple & noise are measured at 20MHz of bandwidth by using a 12" twisted pair-wire terminated with a 0.1uf & 47uf parallel capacitor. 3. Tolerance : includes set up tolerance, line regulation and load regulation. 4. 10% Duty cycle maximum within every 30 seconds(max.). Average output power should not exceed the rated power. 5. The power supply is considered a component which will be installed into a final equipment. The final equipment must be re-confirmed that it still meets EMC directives. 								

Mechanical Specification

Case No. 925A Unit:mm



AC Input Terminal Pin No. Assignment

Pin No.	Assignment
1	AC/L
2	AC/N
3	FG \perp

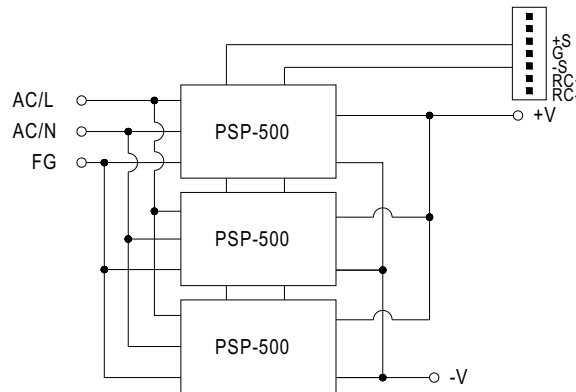
DC Output Terminal Pin No. Assignment

Pin No.	Assignment
1,3,5	DC OUTPUT +V
2,4,6	DC OUTPUT -V

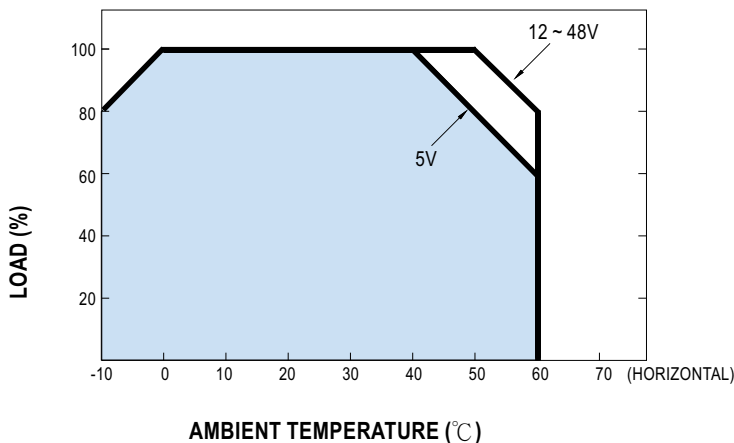
Control Pin No. Assignment : MOLEX 5559-NP uses 5558male crimp terminal

Pin No.	Assignment	Pin No.	Assignment	Mating connector	Terminal
1	P(Current share)	5	NC	MOLEX 5557-NR	MOLEX 5556 Female crimp Terminal receptacle
2	-S	6	NC		
3	G	7	+S		
4	RC-	8	RC+		

Block Diagram



Derating Curve



Output Derating VS Input Voltage

