

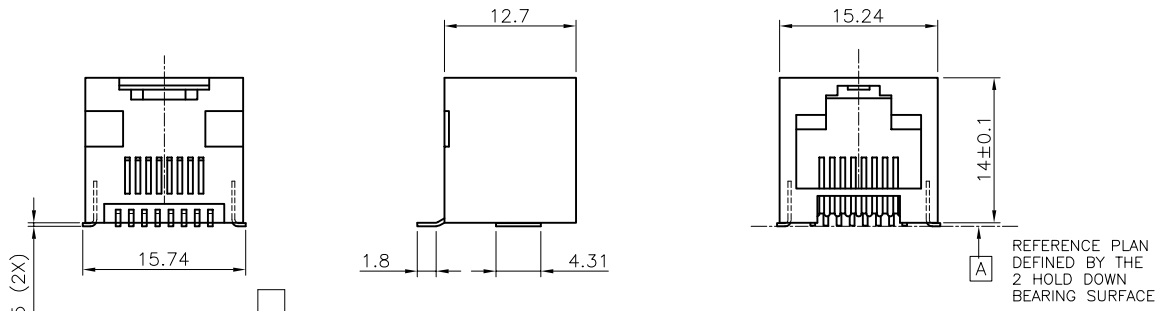
PRODUCT NUMBER
73304-XXXLF

PLATING OPTION
1= GXT 0.76 μm
3= GOLD 0.76 μm
5= GOLD 1.27 μm

PACKAGE OPTION
1= TAPE ON REEL
2= TUBE
3= TAPE ON REEL
IN PLASTIC BAG

TERMINAL LOADING
1= FULLY LOADED
2= POS 1,2,7,8
3= POS 3,4,5,6

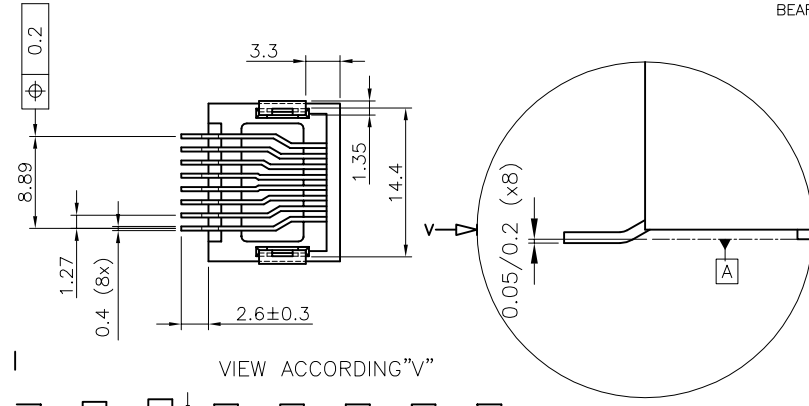
WHEN NEEDED, SUFFIX LETTER "LF"
INDICATES THE PRODUCT IS RoHS
COMPATIBLE, SEE NOTE 4.



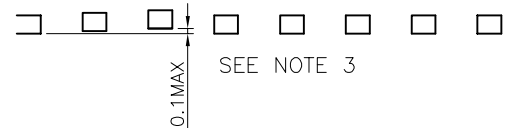
REFERENCE PLAN
DEFINED BY THE
2 HOLD DOWN
BEARING SURFACE

NOTES:

- 1- MATERIAL: HOUSING: HIGH TEMP. NYLON, COLOUR BLACK.
TERMINAL: PHOSPHOR BRONZE.
- 2 - PLATING: CONTACT AREA: SEE TABLE.
SOLDER TAIL : 90/10 SnPb 2 μm MIN.
WHEN SUFFIX "LF" IS REQUIRED, 2 μm MIN MATTE
TIN OVER 1.27 MIN Ni IS SUPPLIED INSTEAD OF SnPb.
NO RAW EDGES EXCEPT SOLDER TAIL TIPS
- 3 - SOLDER TAILS COPLANARITY : 0.1 mm
- 4 - RoHS COMPATIBLE PRODUCT SPECIFICATIONS
 - a - PLATING:
 - "LF" MEANS THE PRODUCT IS LEAD-FREE,
2 μm MINIMUM MATTE TIN OVER 1.27 μm
MINIMUM NICKEL UNDERPLATE.
 - b - MANUFACTURING PROCESS COMPATIBILITY
 - THE HOUSING WILL WITHSTAND EXPOSURE TO
245°C PEAK TEMPERATURE FOR 30 SECONDS
MAX IN A CONVECTION, INFRA-RED OR VAPOR
PHASE OR REFLOW OVEN.
 - c - LABELING:
 - MEETS PACKAGING SPECS AS PER GS-14-920
 - d - LEGAL STATEMENT: SEE GS-22-008
- 5 - PACKAGING FOR OPTION 3 : EACH REEL IS WRAPPED INTO A PLASTIC BAG
TO PROTECT FROM MOISTURE DURING STACKING TIME.



VIEW ACCORDING "V"



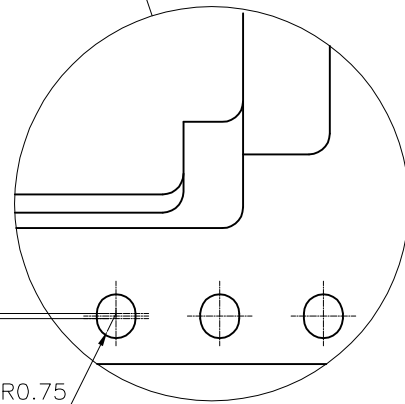
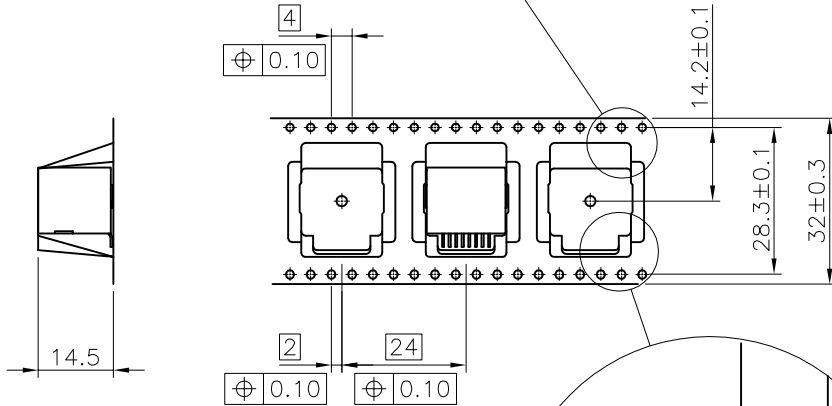
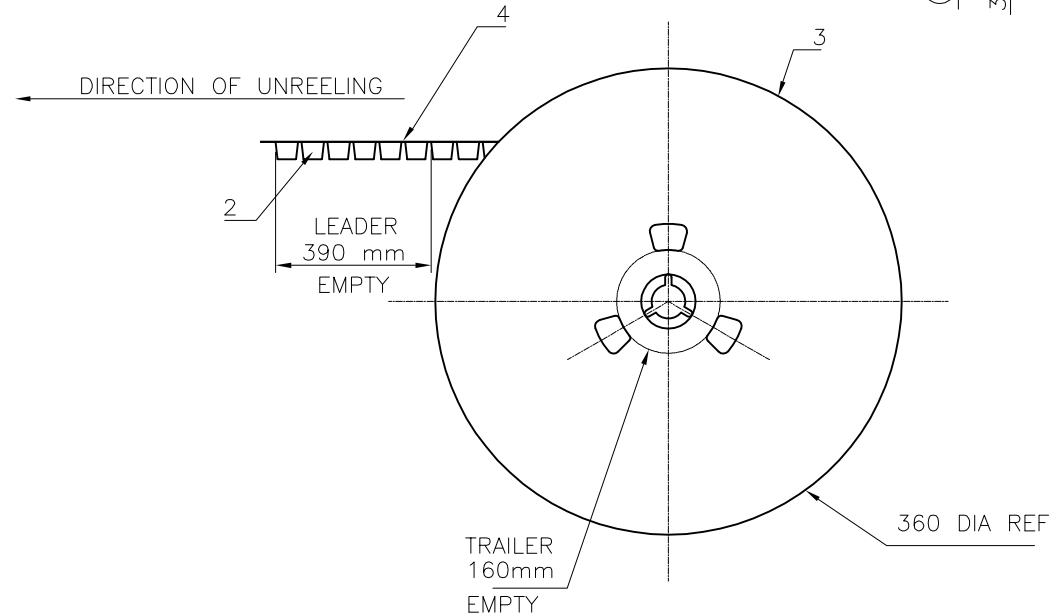
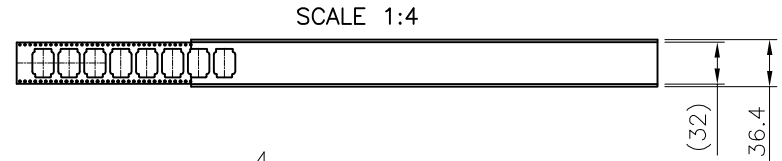
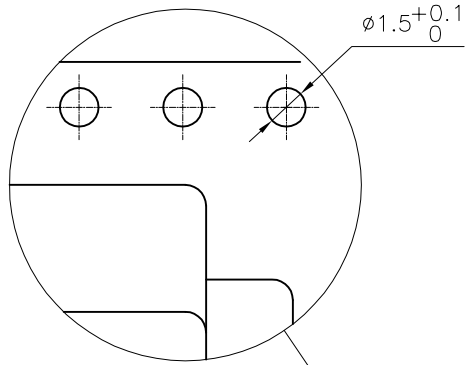
SEE NOTE 3

CUSTOMER COPY FOR REFERENCE ONLY

mat'l. code		surface		tolerance		projection		product family	
		ISO 1302		ISO 406 ISO 1101				MOD JACK	
ltr	ecn no	dr	date	tolerances unless otherwise specified		mm		title	
H	F06-0240	DLE	06.07.18	angles	linear	±0.13		SMT RA JACK	
J	F09-0070	LSA	02.07.23	±2'		scale 2:1		8 POS OUTSIDE	
D	F80620	DLE	98.11.26	dr	D LEGRAND	03.01.27	dwg no		sheet 1 of 3
E	F03020	DLE	03.01.27	engr	F TISSERAND	03.01.27	73304		A3
F	F04-0363	DLE	04.10.18	chr	JF NOTTEAU	03.01.27	type		CUSTOMER Drawing
G	F05-0247	DLE	05.09.12	appd	F.TI	03.01.27			
sheet	revision	J	E	B					
index	sheet	1	2	3					

PRODUCT NUMBER
SEE SHEET 1

LTR	PART NAME	QTY
1	PRODUCT	230
2	TAPE	1
3	REEL	1
4	COVER TAPE	1



1- IN ACCORDANCE WITH EIA-481 AND IEC 296-3

CUSTOMER COPY FOR REFERENCE ONLY

mat'l. code		surface ISO 1302		tolerance ISO 406 ISO 1101		projection mm		product family MOD-JACK	
ltr	ecn no	dr	date	tolerances unless otherwise specified		mm		title	
D	D80620	DLE	98.11.26	angles		mm		SMT RA JACK	
E	F06-0240	DLE	06.07.18	linear		scale 2:1		8 POS. OUTSIDE	
		dr	D LEGRAND	04.10.18		FCJ		dwg no	
		enr	P NIZZI	04.10.18				sheet 2 of 3	
		chr	D LEGRAND	04.10.18				73304	
		app	P NIZZI	04.10.18				A3	
sheet index		revision sheet						type CUSTOMER Drawing	

2

1

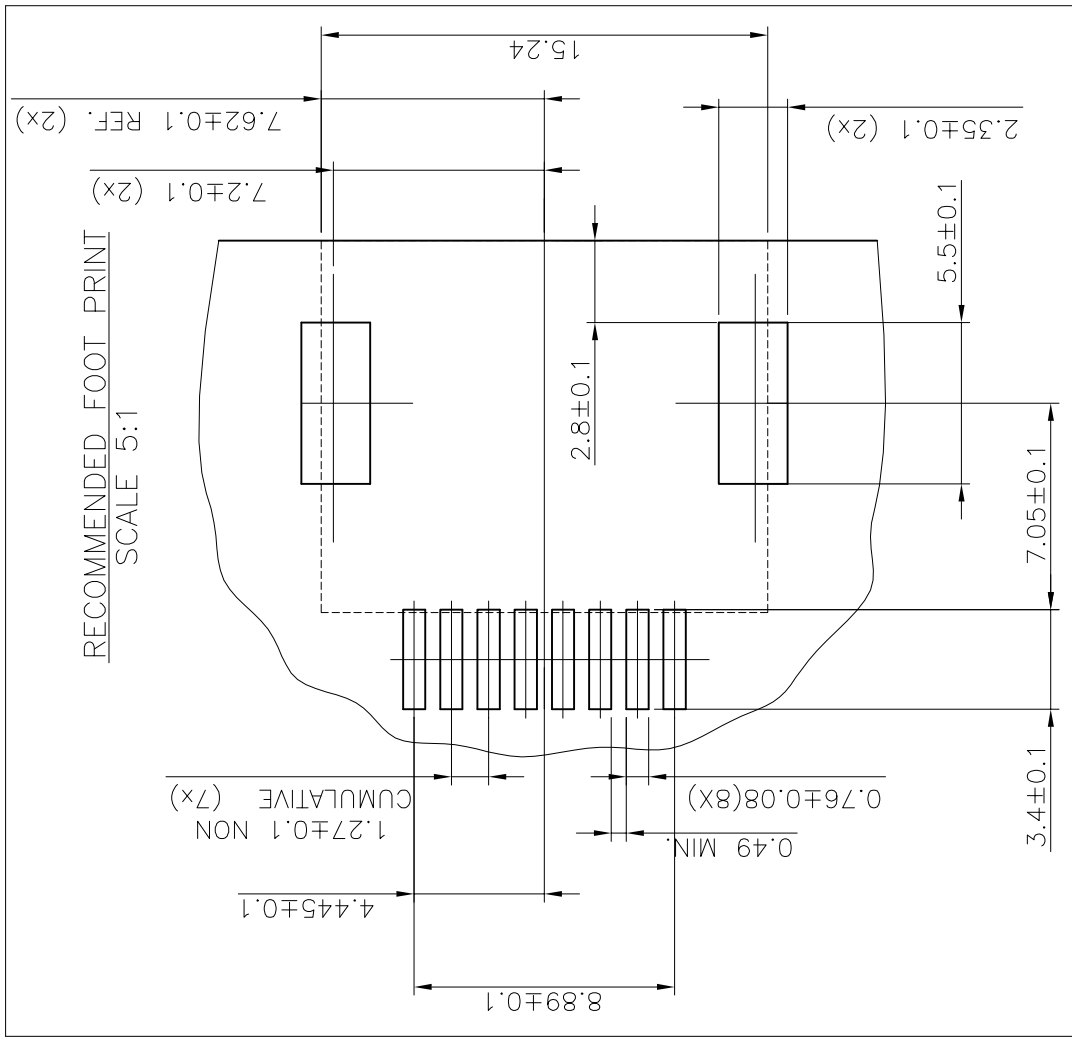


A

B

C

D



A

B

C

D

2

1



CUSTOMER COPY FOR REFERENCE ONLY

mat'l. code		surface	tolerance	projection	product family
ISO 1302		ISO 406	ISO 1101		MOD JACK
tolerances unless otherwise specified		angles		mm	title
±0.13		linear		scale 2:1	SMT RA JACK
±2°		D LEGRAND		04.10.18	8 POS OUTSIDE
dr		P NIZZI	04.10.18	dwg no	sheet 3 of - size
engr		D LEGRAND	04.10.18	73304	A4
chr		P.NZ	04.10.18	type	CUSTOMER Drawing
appd		04.10.18			
sheet index	revision				
sheet	sheet				

Fcconnect.com



Copyright FCJ

PDM: Rev:J

STATUS Released

Printed: Oct 01, 2010

form: A4