

NOTES:

1. MATERIAL AND FINISH:

BODIES: BeCu, WHITE BRONZE PLATING  
 CONTACT: BeCu, GOLD PLATING OVER WHITE BRONZE  
 RETAINING RING: BeCu, GOLD PLATING OVER WHITE BRONZE  
 CAP: BeCu, BeCu, WHITE BRONZE PLATING  
 FERRULE: SEAMLESS COPPER TUBING, WHITE BRONZE PLATING  
 INSULATOR : PTFE

2. ELECTRICAL:

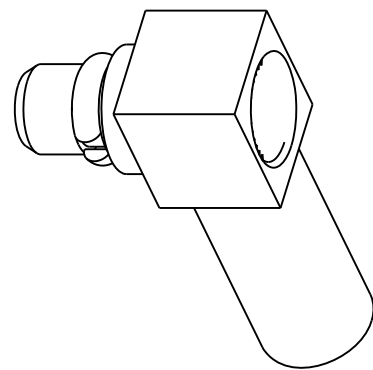
A. IMPEDANCE: 50 OHM  
 B. FREQUENCY RANGE: DC - 6 GHz  
 C. DIELECTRIC WITHSTANDING VOLTAGE: 500 VRMS, MIN.

3. MECHANICAL:

A. DURABILITY: 500 CYCLES MIN.  
 B. TEMPERATURE RANGE: -65° C TO 165° C  
 C. CRIMP WITH .105 INCH HEX

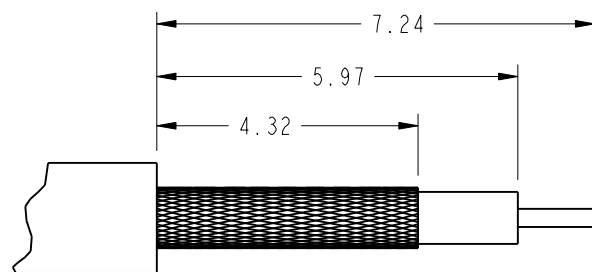
4. PACKAGING:

A. QUANTITY: BULK PACK 100  
 B. MARKING: BAG TO BE MARKED  
 "AMPHENOL, 908-NM43200 100 PIECES, AND DATE CODE"  
 AND "NON-MAGNETIC CONNECTORS"



SCALE 5.000

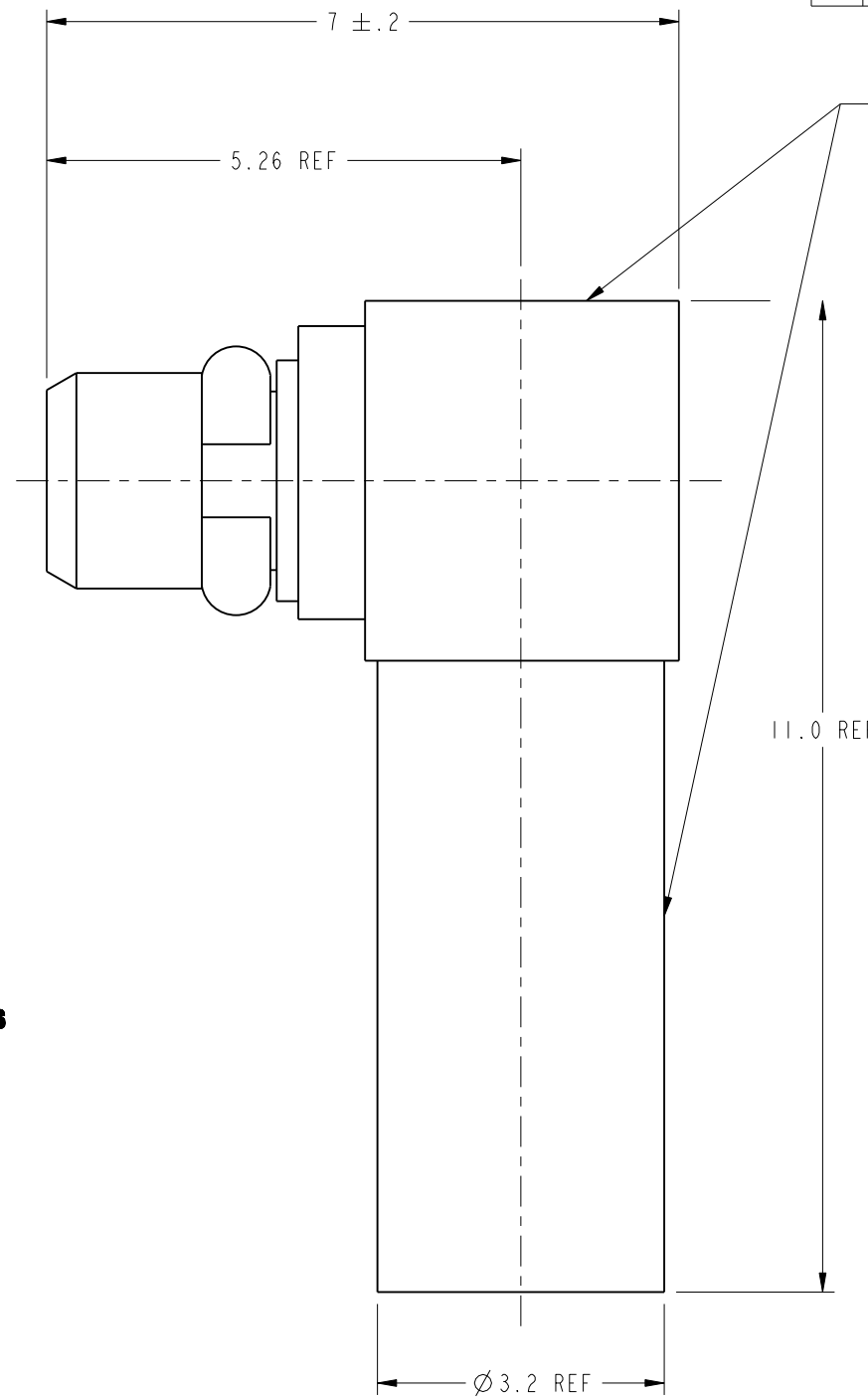
**RECOMMENDED CABLE STRIPPING DIMENSIONS**



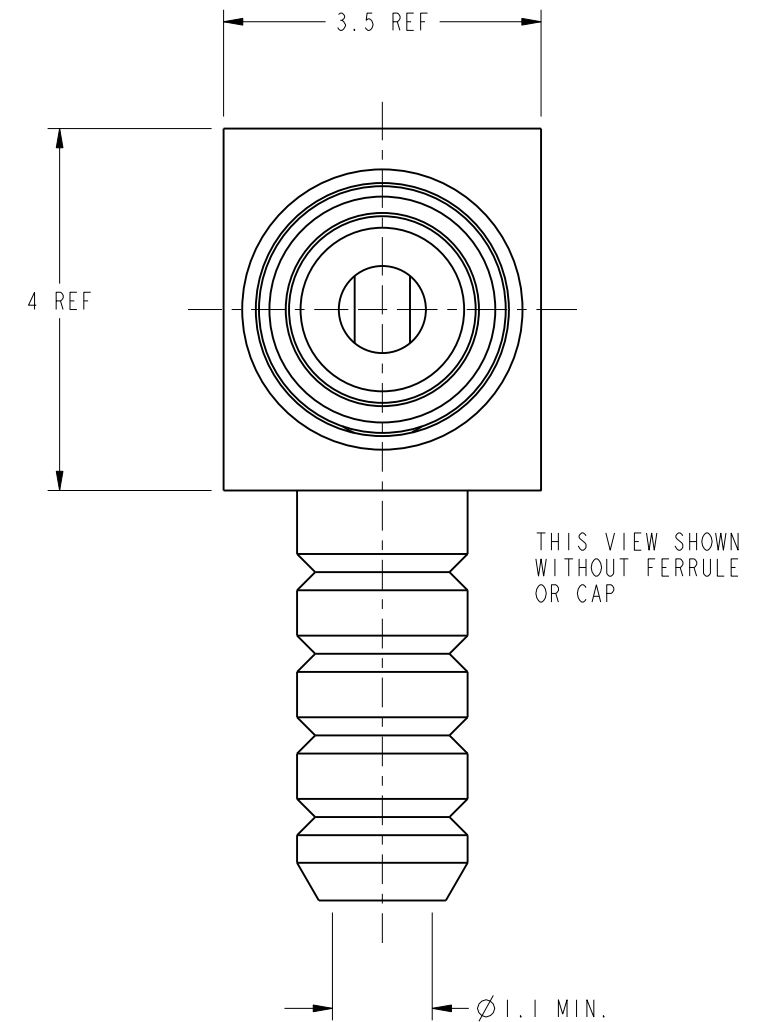
THIRD ANGLE PROJ.

REVISIONS

REV	DESCRIPTION	DATE	ECO	APPR
A	RELEASE TO MFG.	8/8/06	46108	KJC
B	SEE SHEET 2.	4/8/10	48017	KJC
C	7 ±.2 WAS 7.01 REF	9/20/10	48260	CPM



THESE SURFACES MARKED "NM"  
 TO SIGNIFY NON-MAGNETIC CONNECTOR



**METRIC DRAWING**

**CUSTOMER OUTLINE DRAWING**

ALL OTHER SHEETS ARE FOR INTERNAL USE ONLY

UNLESS OTHERWISE SPECIFIED, DIMENSIONS ARE METRIC AND TOLERANCES ARE: 1 PLACE DECIMAL ± 0.3MM (.012") 2 PLACE DECIMAL ± .10 MM (.004") ANGLES ± 1°	MATERIAL	DRAWN	DATE	TITLE ASSEMBLY MMCX RG-178 R/A PLUG NON MAGNETIC			Amphenol RF Danbury CT USA, Tainan, Taiwan, Shenzhen, China www.amphenolrf.com	
		K. CAPOZZI	18-Jul-06					
NOTICE - These drawings, specifications, or other data (1) are, and remain the property of Amphenol corp. (2) must be returned upon request; and (3) are confidential and not to be disclosed to any person other than those to whom they are given by Amphenol Corp. the furnishing of these drawings, specifications, or other data by Amphenol Corp., or to any other person to anyone for any purpose is not to be regarded by implication or otherwise in any manner licensing, granting rights to permitting such holder or any other sperson to manufacture, use or sell any product, process or design, patented or otherwise, that may in any way be related to or disclosed by said drawings, specifications, or other data.	REFERENCE	ENGINEER	DATE	SCALE: 12.0:1.0 SHEET 2 OF 2			DRAWING NO. ITEM NO.	
	EAR # 1952 AND	K. CAPOZZI	18-Jul-06					
	CONFIGURATION LEVEL: Engineering Change	APPROVED	B. C. GLEISSNER	8/8/06	DWG SIZE	CODE ID	REV	PART NO. 908-NM43200
FINISH	Root Folder/MMCX/908-NM43200	B	74868	C				