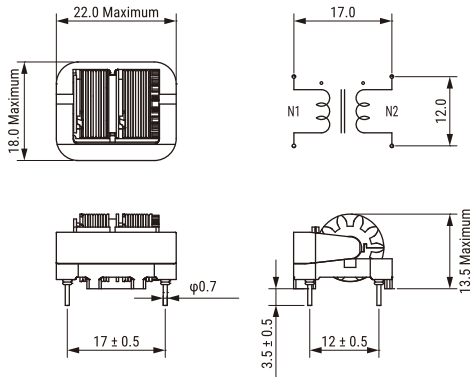


KEMET, SSR10VS/HS, Commercial Grade, 0.011 H



General Information	
<b>Series:</b>	SSR10VS/HS
<b>Style:</b>	Through-Hole Choke
<b>Description:</b>	Common Mode Choke. AC Line Filter. Wide Range Impedance Type.
<b>Features:</b>	Compact Size, Low Profile, Light Weight, High Frequency, Broad Bandwidth
<b>RoHS:</b>	Yes
<b>Lead:</b>	Wire Leads
<b>Miscellaneous:</b>	50 (K) Temperature Rise Max.

Dimensions	
<b>L</b>	22mm MAX
<b>T</b>	18mm MAX
<b>H</b>	13.5mm MAX
<b>S</b>	17mm +/-0.5mm
<b>S1</b>	12mm +/-0.5mm
<b>LL</b>	3.5mm +/-0.5mm
<b>F</b>	0.7mm NOM
<b>Wire Size</b>	0.35mm

Specifications	
<b>Inductance:</b>	11 mH (10 kHz)
<b>Temperature Range:</b>	-25/+120C
<b>Rated Temperature:</b>	120C
<b>Current:</b>	1.1 A
<b>Voltage AC:</b>	250 VAC
<b>Withstanding Voltage:</b>	2400 VAC MAX
<b>Insulation Resistance:</b>	100 MOhms

Packaging Specifications	
<b>Weight:</b>	9 g
<b>Packaging:</b>	Tray
<b>Packaging Quantity:</b>	300