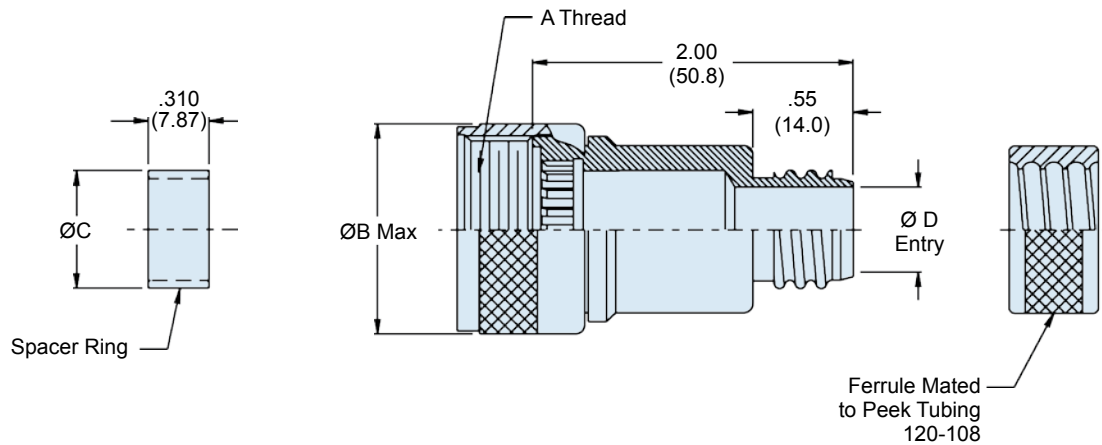
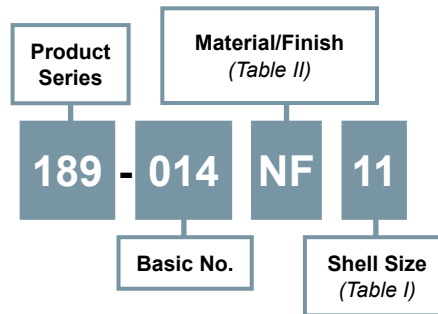


**MIL-PRF-28876 backshell**
**How To Order**

**Material and Finish**

Adapter, Coupling Nut, Ferrule, and Spacer Ring: See Table II

**Notes**

Spacer Ring is packaged loose and must be installed with Connector at time of assembly to retain Terminus Insert.

For 45° or 90° Backshell option, see Glenair drawing 189-021.

**189-014**  
**Backshell for PEEK Convolved Tubing**  
to be used with MIL-PRF-28876 Fiber Optic Connectors



**Table I: Shell Size Dash Number**

| Shell Size | Designator (Ref) | A Thread Class 2B | ØB Max      | ØC Max      | Ø D Entry   | "Peek" Conduit Size |          |
|------------|------------------|-------------------|-------------|-------------|-------------|---------------------|----------|
|            |                  |                   |             |             |             | Frac. Size          | Dash No. |
| 11         | A                | 3/4-20 UNEF       | .960 (24.4) | .410 (10.4) | .390 (9.91) | 1/2                 | 16       |
| 13         | B                | 7/8-20 UNEF       | 1.09 (27.7) | .532 (13.5) | .390 (9.91) | 1/2                 | 16       |
| 15         | C                | 1-20 UNEF         | 1.26 (32.0) | .710 (18.0) | .390 (9.91) | 1/2                 | 16       |
| 23         | F                | 1 7/16-18 UNEF    | 1.70 (43.2) | 1.12 (28.4) | .890 (22.6) | 1                   | 32       |

**Table II: Material and Finish**

| Code | Material        | Finish Description   |
|------|-----------------|--|
| M    | Aluminum Alloy  | Electroless Nickel   |
| NF   |                 | Cadmium/Olive Drab over Electroless Nickel (500 Hour Salt Spray) |
| Z1   | Stainless Steel | Passivate  |

Refer to Appendix for material/finish details

