

DIL PACKAGE TOKEN RING ISOLATION TRANSFORMERS

FEATURES

- ❶ UTP / STP, 4 & 16mbt Applications
- ❷ Low Insertion Loss (1-32MHz)
- ❸ Excellent CMMR of -60db Min. @ 1MHz
- ❹ Fast Rise Times on All Units
- ❺ 2000Vrms Minimum Isolation Voltage
- ❻ Low Cost Single or Dual Core DIL Package

ELECTRICAL SPECIFICATIONS AT 25°C PER CORE

PART NUMBER	TURNS RATIO (±5%)	PRIMARY OCL (μH Typ.)	RISE TIME (ns Max.)	PRI-SEC Cw/w (pf Max.)	PRI / SEC L _L (μH Max.)	HIPOT (Vrms Min)	DCR (Ohms Max.)		Package & Schematic
							Pri	Sec	
PM-TR01	1:1:2:2	250	15.0	15.0	.20	500	.4	.8	A
PM-TR02	1:1:1:1	750	9.0	20.0	.20	500	1.0	1.0	A
PM-TR03	1:1:1:1	1000	15.0	15.0	.30	500	.4	.4	A
PM-TR04	1:1:2:2	1000	15.0	15.0	.60	500	.4	.8	A
PM-TR05	1:1:2:2	250	15.0	15.0	.20	500	.4	.8	B
PM-TR06	1:1:1:1	750	9.0	20.0	.20	500	1.0	1.0	B
PM-TR07	1:1:1:1	1000	15.0	15.0	.30	500	.4	.4	B
PM-TR08	1:1:2:2	1000	15.0	15.0	.60	500	.4	.8	B
PM-TR10	1:1:2:2	125	10.0	10.0	.10	2000	.4	.8	A
PM-TR11	1:1:1:1	125	10.0	10.0	.10	2000	.4	.4	A
PM-TR12	1:1:1:1	1000	10.0	15.0	.25	2000	1.0	1.0	A
PM-TR16	1:1:2:2	125	10.0	10.0	.10	2000	.4	.8	B
PM-TR17	1:1:1:1	125	10.0	10.0	.10	2000	.4	.4	B
PM-TR18	1:1:1:1	1000	10.0	15.0	.25	2000	1.0	1.0	B

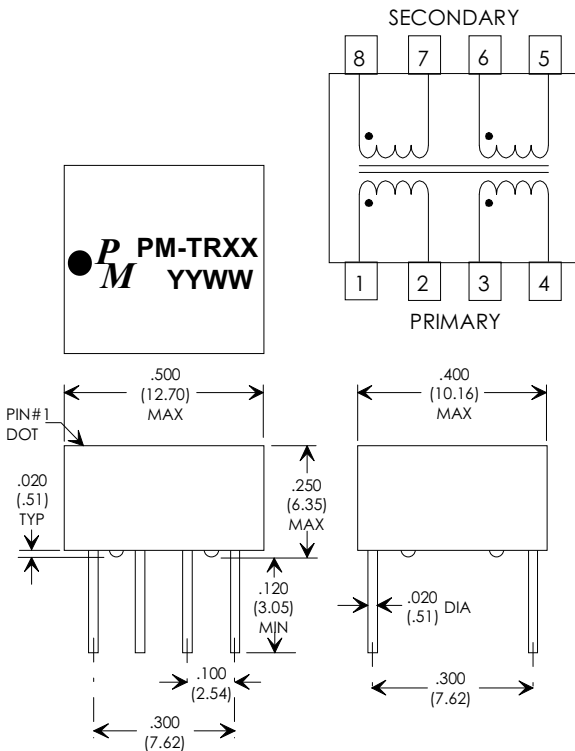
INSERTION LOSS:

0.9 - 40MHz: 1.0dB Max.
 1.4 - 31MHz: 0.40dB Max.
 2.2 - 20MHz: 0.20dB Max.

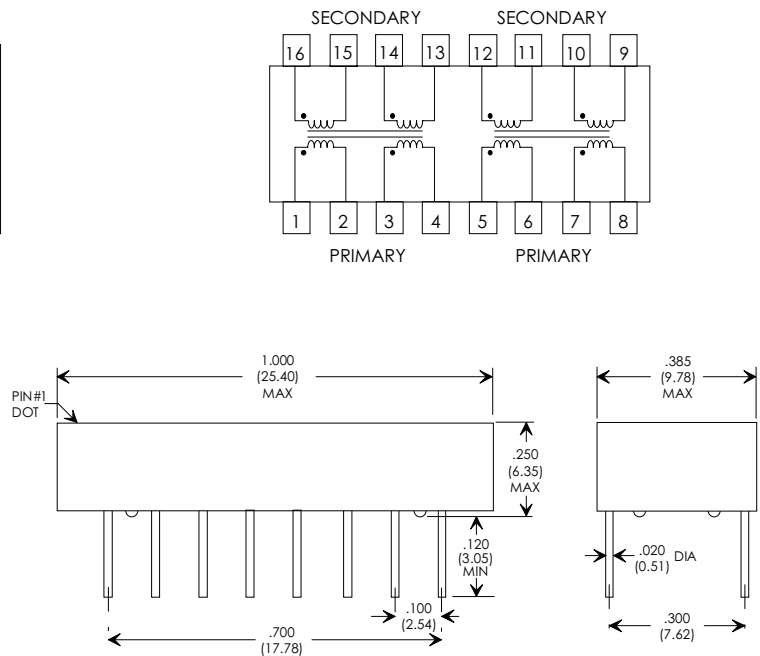
RETURN LOSS:

1 - 8MHz: 22dB Min.
 8 - 16MHz: 20dB Min.
 16 - 24MHz: 18dB Min.

SINGLE CORE PACKAGE "A"



DUAL CORE PACKAGE "B"



Specifications subject to change without notice.

DIP & SMD PACKAGE TOKEN RING TRANSFORMERS

FEATURES

- ① UTP / STP, 4 & 16mbt Applications
- ② Low Insertion Loss (1-32MHz)
- ③ Excellent CMMR of -60db Min. @ 1MHz
- ④ Fast Rise Times on All Units
- ⑤ 2000Vrms Minimum Isolation Voltage
- ⑥ Single or Dual Core DIP/SMD Packages

ELECTRICAL SPECIFICATIONS AT 25°C PER CORE

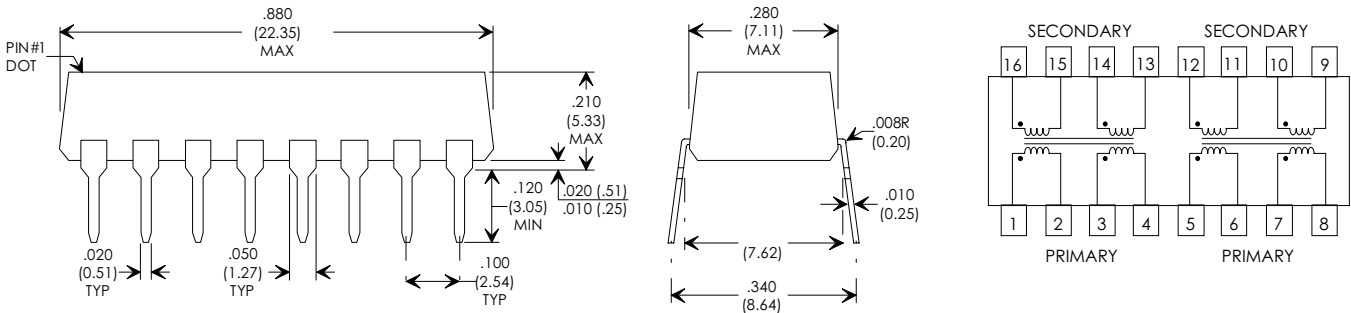
PART NUMBER	TURNS RATIO (±5%)	PRIMARY OCL (μH Typ.)	RISE TIME (ns Max.)	PRI-SEC Cw/w (pf Max.)	PRI / SEC L _L (μH Max.)	HIPOT (Vrms Min)	DCR (Ohms Max.)		Package & Schematic
							Pri	Sec	
PM-TRA20	1:1:2:2	125	10.0	10.0	.10	2000	.4	.8	A
PM-TRA21	1:1:1:1	125	10.0	10.0	.10	2000	.4	.4	A
PM-TRA22	1:1:1:1	1000	10.0	15.0	.25	2000	1.0	1.0	A
PM-TRX26	1:1:2:2	125	10.0	10.0	.10	2000	.4	.8	B & G
PM-TRX27	1:1:1:1	125	10.0	10.0	.10	2000	.4	.4	B & G
PM-TRX28	1:1:1:1	1000	10.0	15.0	.25	2000	1.0	1.0	B & G

Fill in X with desired package:
 B = 16-Pin Through Hole DIP
 G = 16-Pin Gull-Wing SMD

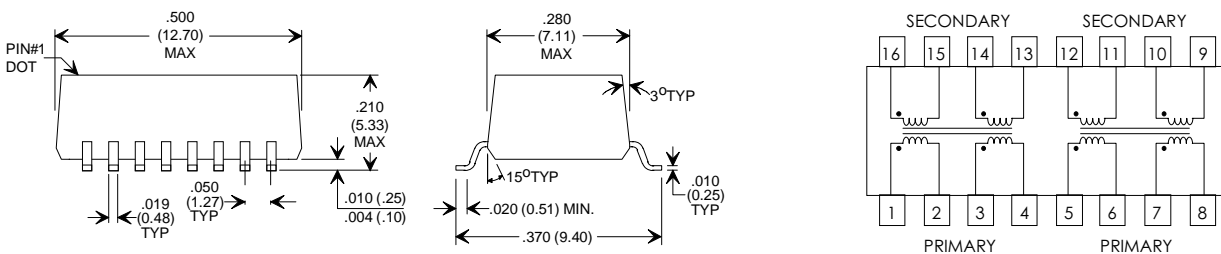
INSERTION LOSS:
 0.9 - 40MHz: 1.0dB Max.
 1.4 - 31MHz: 0.40dB Max.
 2.2 - 20MHz: 0.20dB Max.

RETURN LOSS:
 1 - 8MHz: 22dB Min.
 8 - 16MHz: 20dB Min.
 16 - 24MHz: 18dB Min.

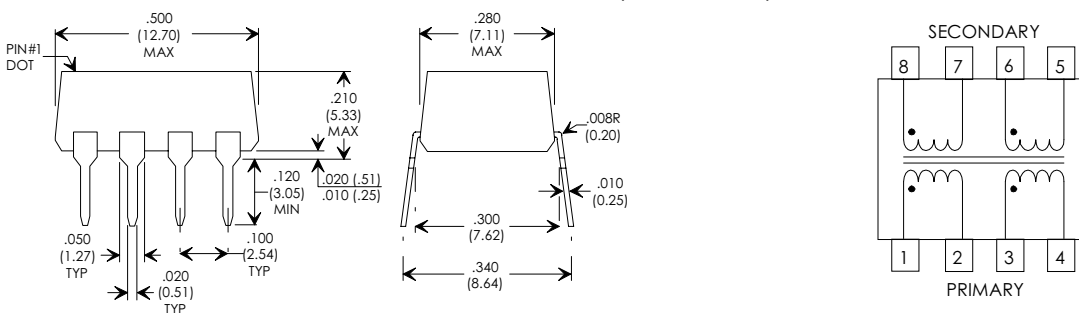
DUAL CORE PACKAGE "B" (PM-TRBXX) 16-PIN THROUGH HOLE DIP



DUAL CORE PACKAGE "G" (PM-TRGXX) 16-PIN GULL-WING SURFACE MOUNT



SINGLE CORE PACKAGE "A" (PM-TRAXX) 8-PIN THROUGH HOLE DIP



Specifications subject to change without notice.