

D X X P 3 3 E 6 X X 1 2 L F

SEE NOTE RoHS

SERIES

NO.OF CONTACTS

09,15,25,37

TYPE OF CONTACTS

P-PIN

TYPE OF TERMINATION

33-ANGLED SPILL

PITCH 2.84 USA

FOOT PRINT 8.08 USA

HEIGHT OF TERMINATION

E-2.00mm COMPATIBLE FOR 1.6mm PCB

RoHS INFORMATIONS

"This LF product meets European Union Directives and other country regulations as described in GS-22-008"

The housing will withstand exposure to 260°C peak temperature for 30 seconds in a convection,infra-red or vapor reflow oven solder application.

Packaging as per GS-14-920

PRODUCT SPECIFICATION

See :- GS-12-433

PACKAGING SPECIFICATION

See :- GS-14-1139

PACKAGING SPECIFICATION

12- TAPE & REEL PACKAGING

MOUNTING OPTIONS

RV->LIF METAL PEG+F.SCREW LOCK UNC 4 40+METAL BRACKET

RL->LIF METAL PEG+ INSERT M3+METAL BRACKET

RX->LIF METAL PEG+ INSERT UNC 4-40 +METAL BRACKET

PLATING

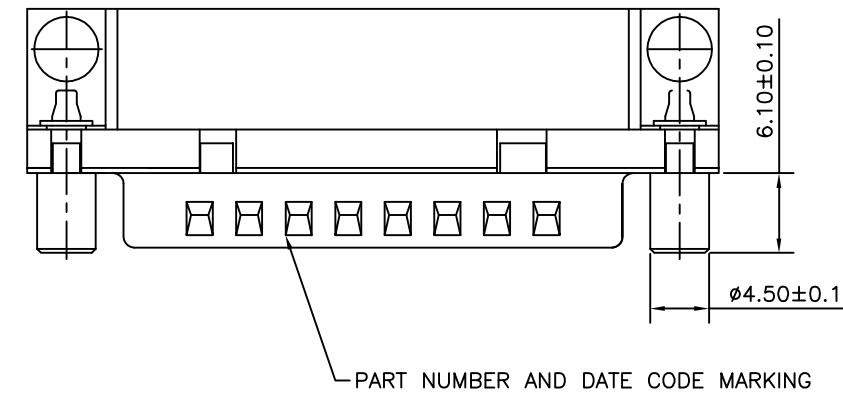
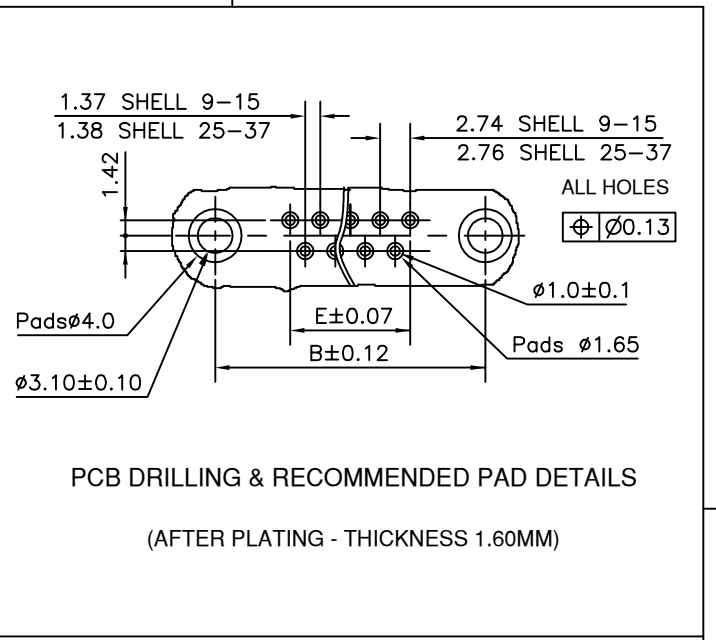
6-500 Mating/Un-mating performance

mat'l. code SEE.TECH.SPEC				surface ISO 1302 ✓		tolerance ISO 406 ISO 1101		projection MM		product family DELTA-D			
ltr				ecn no		dr		date		tolerances unless otherwise specified		title	
A				107-0167		AS		2007-12-04		angles		linear	
B				108-0175		AS		2009-01-14		.00±0.1		MM	
C				109-0162		AS		2009-08-17		0°±1°		.000±.00X	
										scale		-	
										dr		ANISH.SALAM 2007-12-04	
										engr		ANISH.SALAM 2009-08-17	
										chr		ANISH.SALAM 2009-08-17	
										appd		ANISH.SALAM 2009-08-17	
sheet index		revision sheet		C		C							
1		2		1		2							
										dwg no		sheet 1 of 2 size	
										C-DD-0101		A3	
										type		Product Customer Drawing	

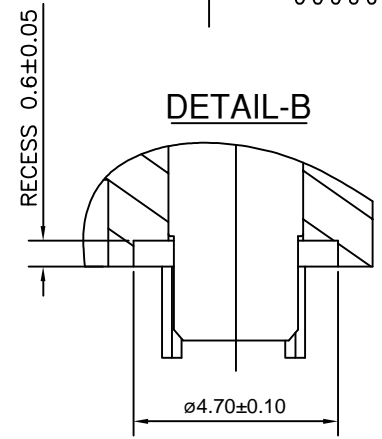
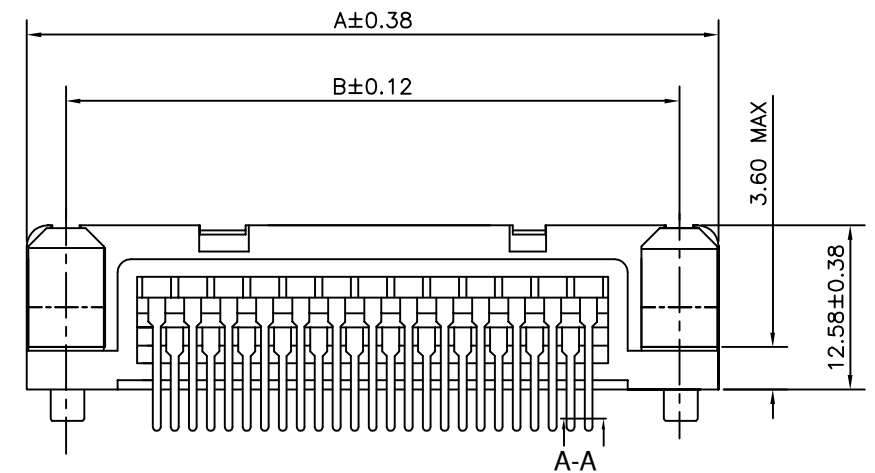
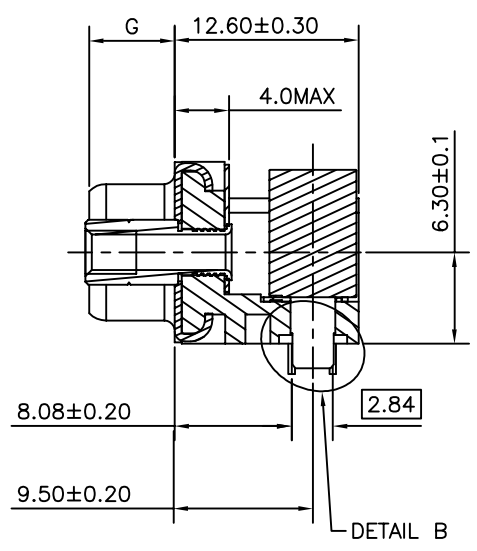
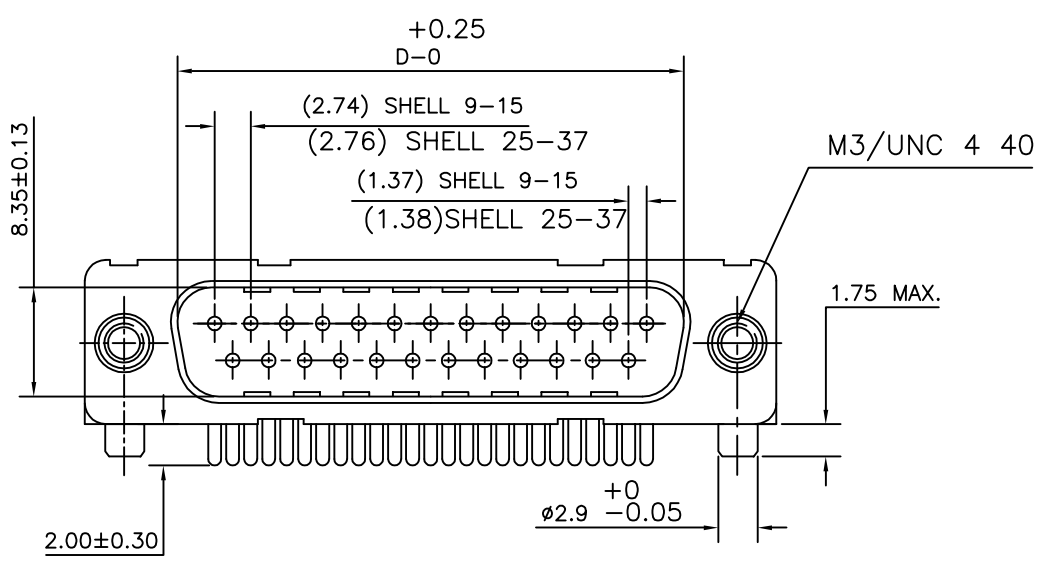


Copyright FCI

37	69.32	63.50	55.30	49.68	5.70 ^{+0.25} ₋₀
25	53.03	47.04	38.84	33.12	5.70 ^{+0.25} ₋₀
15	39.14	33.32	25.12	19.18	5.90 ^{+0.15} ₋₀
09	30.81	24.99	16.79	10.96	5.90 ^{+0.15} ₋₀
SHELL	A	B	D	E	G



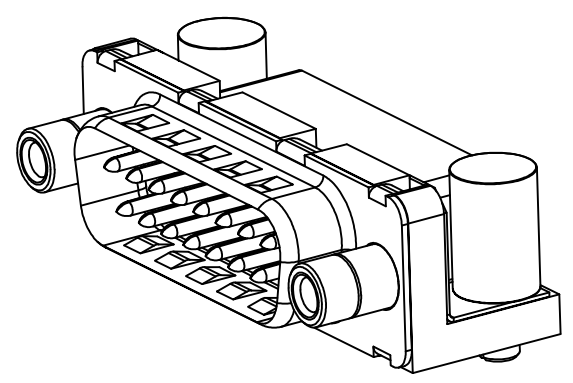
SECTION A - A



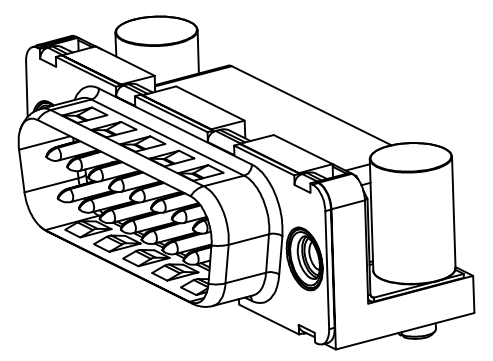
TRUE POSITIONING : $\oplus \ominus \varnothing 0.36$

ACCESSORIES DETAILS

RV VERSION



RX/RL VERSION



mat'l. code SEE.TECH.SPEC				surface ISO 1302 ✓		tolerance ISO 406 ISO 1101		projection MM		product family DELTA-D					
ltr A				ecn no 107-0167		dr AS		date 2007-12-04		title DELTA-D A/S MALE PIP CONNECTOR US VERSION					
B				108-0175		AS		2009-01-14		angles linear					
C				109-0162		AS		2009-08-17		.00±0.1					
										.000±.00X					
										scale -					
										dr ANISH.SALAM 2007-12-04					
										engr ANISH.SALAM 2009-08-17					
										chr ANISH.SALAM 2009-08-17					
										appd ANISH.SALAM 2009-08-17					
sheet index		revision sheet		C 1		C 2						dwg no C-DD-0101		sheet 2 of 2 size A3	
												type Product Customer Drawing			