

PLEASE CHECK WWW.MOLEX.COM FOR LATEST PART INFORMATION

Part Number: [35180-4409](#)
Status: **Active**
Description: 1.78mm Tab Multiple Wire-to-Wire Male Housing with Ear, 4 Circuits, Vertical, Polyester Carbonate, UL94V-0, Blue, Glow Wire Compatible

Documents:

[3D Model](#) [Packaging Specification PK-35180-001 \(PDF\)](#)
[Drawing \(PDF\)](#) [RoHS Certificate of Compliance \(PDF\)](#)
[Product Specification PS-35180-002 \(PDF\)](#)

Agency Certification

CSA LR19980
 UL E29179

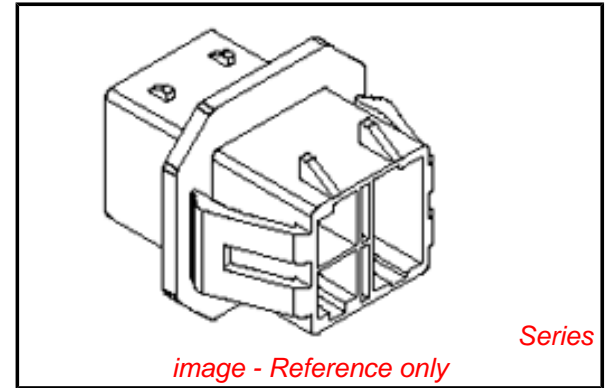
General

Product Family Crimp Housings
 Series [35180](#)
 Application Power, Wire-to-Wire
 Comments This Molex product is manufactured from material that has the following ratings, tested by independent agencies :. a) A Glow Wire Ignition Temperature (GWIT) of at least 775 deg C per IEC 60695-2-13.. b) A Glow Wire Flammability Index (GWFI) above 850 deg C per IEC 60695-2-12.and hence complies with the requirements set out in the International Standard IEC 60335-1 5th edition - household and similar electrical appliances - safety; section 30 Resistance to heat and fire.<P><P>The customers using this product must determine its suitability for use in their particular application through testing or other acceptable means as described in end-product glow-wire flammability test standard IEC 60695-2-11 and any applicable product end-use standard(s).<P>If it is determined during the customer's evaluation of suitability, that higher performance is required, please contact Molex for possible product options.

Product Name N/A
 UPC 822350838658

Physical

Breakaway No
 Circuits (maximum) 4
 Color - Resin Blue
 Flammability 94V-0
 Gender Male
 Glow-Wire Compliant Yes
 Keying to Mating Part None
 Lock to Mating Part Yes
 Material - Resin Polyester Alloy
 Net Weight 5.866/g
 Number of Rows 2
 Packaging Type Bag
 Panel Mount Yes
 Pitch - Mating Interface 8.70mm
 Pitch - Termination Interface 8.70mm
 Polarized to Mating Part Yes



EU RoHS

ELV and RoHS Compliant
REACH SVHC Contains SVHC: No
Low-Halogen Status Not Low-Halogen

China RoHS



Need more information on product environmental compliance?

Email productcompliance@molex.com
 For a multiple part number RoHS Certificate of Compliance, [click here](#)

Please visit the [Contact Us](#) section for any non-product compliance questions.

Search Parts in this Series

[35180Series](#)

Mates With

[35181](#) Wire-to-Wire Female Housing

Use With

[35745](#) Crimp Terminal, [35746](#) Crimp Terminal, [35747](#) Crimp Terminal, [35748](#) Crimp Terminal

Ports	3
Stackable	No
Temperature Range - Operating	-40°C to +120°C

Electrical

Current - Maximum per Contact	10A, 15A, 4A, 5A, 7A
-------------------------------	----------------------

Material Info**Reference - Drawing Numbers**

Packaging Specification	PK-35180-001
Product Specification	PS-35180-002
Sales Drawing	SD-35180-040*

This document was generated on 10/08/2014

PLEASE CHECK WWW.MOLEX.COM FOR LATEST PART INFORMATION