

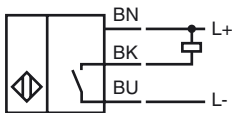
Model Number

SJ15-E

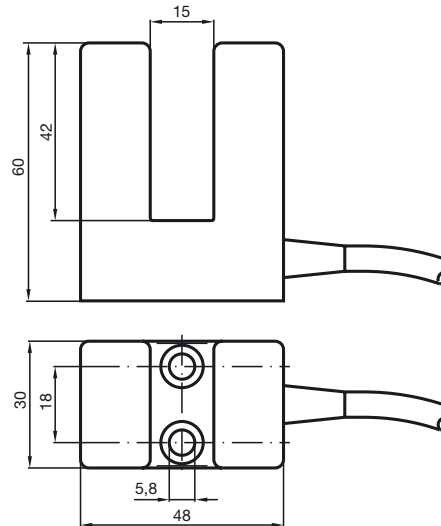
Features

- 15 mm slot width
- 3-wire DC

Connection



Dimensions



Technical Data

General specifications		
Switching element function	NPN	NO
Slot width	15 mm	
Depth of immersion (lateral)	17 ... 20 mm	
Output polarity	DC	
Nominal ratings		
Operating voltage	U_B	10 ... 30 V DC
Switching frequency	f	0 ... 500 Hz
Reverse polarity protected	reverse polarity protected	
Short-circuit protection	pulsing	
Voltage drop	U_d	≤ 3 V
Operating current	I_L	0 ... 200 mA
No-load supply current	I_0	≤ 20 mA
Ambient conditions		
Ambient temperature	-25 ... 70 °C (-13 ... 158 °F)	
Mechanical specifications		
Connection type	cable PVC , 2 m	
Core cross-section	0.75 mm ²	
Housing material	PBT	
Protection degree	IP67	
Compliance with standards and directives		
Standard conformity		
Standards	EN 60947-5-2:2007 IEC 60947-5-2:2007	

Approvals and certificates	
UL approval	cULus Listed, General Purpose
CSA approval	cCSAus Listed, General Purpose
CCC approval	Products with a maximum operating voltage of ≤ 36 V do not bear a CCC marking because they do not require approval.

Release date: 2011-07-27 11:42 Date of issue: 2011-07-27 013149_eng.xml