



15ACM_3 series

15W- Single Output AC-DC Converter - Universal Input - Isolated & Regulated

AC-DC Converter 15 Watt

- ⊕ Universal Input:
85 - 305VAC/100 - 430VDC
- ⊕ Operating temperature range:
-40°C to +85°C
- ⊕ Isolation voltage up to 3kVAC
- ⊕ Low power consumption,
green power
- ⊕ Short circuit protection (SCP)
- ⊕ Over voltage protection
- ⊕ Over current protection
- ⊕ High power density,
high reliability
- ⊕ Designed to meet IEC/EN/
UL60335 safety standards
- ⊕ Designed to meet IEC/EN/
UL62368 safety standards

The 15ACM_S3 series is one of GAPTEC's highly efficient green power AC-DC Converter series. They feature ultra-wide input range accepting either AC or DC voltage, high efficiency, low power consumption and reinforced isolation. All models are particularly suitable for industrial control, electric power, instrumentation and smart home applications which have high requirement for dimension and don't have high requirement on EMC. For extremely harsh EMC environment, we recommend using the application circuit show in Design Reference of this datasheet.



Approval	Model	Power [W]	Output voltage [V]	Output current [mA, max]	Efficiency [%, typ]	Capacitive load [μF, max]
UL	15ACM_03S3	9.9	3.3	3000	75	2000
UL	15ACM_05S3	14	5	2800	77	1500
UL	15ACM_09S3	15	9	1670	82	1000
UL	15ACM_12S3	15	12	1250	82	680
UL	15ACM_15S3	15	15	1000	84	470
UL	15ACM_24S3	15	24	625	85	330

Please add suffix /L for bent pins (15ACM_24S3/L).

Input specifications		
Input voltage range	85~305VAC, 100~430VDC	
Input frequency	47~63Hz	
Input current	115VAC • 0.4A (max)	230VAC • 0.25A (max)
Inrush current	115VAC • 18A (typ)	230VAC • 35A (typ)
Hot plug	Unavailable	
Recommended external input fuse	1A/300V	slow blow, required

Output specifications	
Voltage accuracy	3.3V output: ±3% (typ) Others: ±2% (typ)
Minimum load	0%
Line regulation (full load)	±0.5% (typ)
Load regulation (0% to 100%)	3.3VDC: ±2% (typ); Others: ±1% (typ)
Ripple & Noise* 20MHz bandwidth (peak-peak value)	80mV (typ) 150mV (max)
Short circuit protection	Hiccup, continuous, self-recovery
Over current protection	≥110%Io self-recovery
Over voltage protection (Output voltage clamp or hiccup)	• 3.3VDC/5VDC: ≤9VDC • 9VDC: ≤15VDC • 12VDC/15VDC: ≤25VDC • 24VDC: ≤35VDC

* Ripple and noise are measured by "parallel cable" method.

Example:
15ACM_05S3
 15 = 15Watt; AC = AC-DC; M = Micro size; 5Vout; S = Single Output;
 3 = 3kVAC isolation

Note:

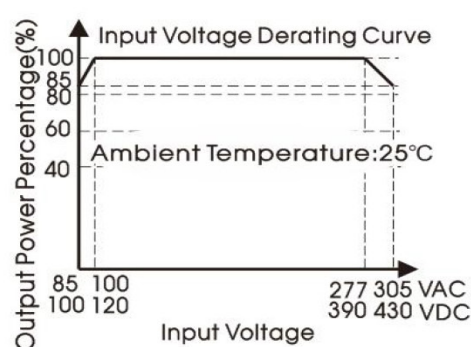
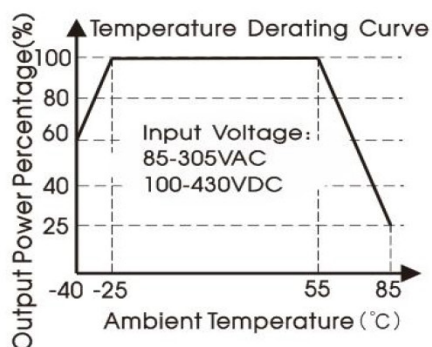
1. External electrolytic capacitors are required to modules, more details refer to typical applications.
2. This part is open frame, at least 6.4mm safety distance between the primary and secondary external components of the module is needed to meet the safety requirement.
3. Unless otherwise specified, parameters in this datasheet were measured under the conditions of Ta = 25°C, humidity <75%, nominal input voltage (115V and 230V) and rated output load.
4. In order to improve the efficiency at light load, there will be audible noise generated, but it does not affect product performance and reliability.
5. Module required dispensing fixed after assembled.
6. All index testing methods in this datasheet are based on our company corporate standards.
7. We can provide product customization service, please contact our technicians directly for specific information.
8. Products are related to laws and regulations: see „Features“ and „EMC“.
9. Our products shall be classified according to ISO14001 and related environmental laws and regulations, and shall be handled by qualified units.

15ACM_3 series

10W- Single Output AC-DC Converter - Universal Input - Isolated & Regulated

Common specifications			
Operating temperature range	-40°C ~ +85°C		
Storage temperature range	-40°C ~ +105°C		
Case temperature range	+95°C MAX		
Storage humidity	95%RH MAX		
Welding temperature	<ul style="list-style-type: none"> • Wave-soldering: 260 ± 5°C; time: 5 - 10s • Manual-welding: 360 ± 10°C; time: 3 - 5s 		
Temperature coefficient	0.02%/°C		
Switching frequency	65kHz TYP		
Power derating	<ul style="list-style-type: none"> • -40°C to -25°C: 4%/°C MN • +55°C to +70°C: 3.34%/°C MIN • +70°C to +85°C: 2.67%/°C MIN • 85VAC-100VAC: 1,67%/VAC MIN • 277VAC-305VAC: 0.72%/VAC MIN 		
I/O-isolation voltage	3000VAC/1Min		
EMC / EMI / CE	CISPR32/EN55032 CISPR32/EN55032	CLASS A (recommended circuit 1, 4) CLASS B (recommended circuit 2, 3)	
EMC / EMI / RE	CISPR32/EN55032 CISPR32/EN55032	CLASS A (recommended circuit 1, 4) CLASS B (recommended circuit 2, 3)	
EMC / EMS / ESD	IEC/EN 61000-4-2	Contact ±6KV	perf. Criteria B
EMC / EMS / RS	IEC/EN 61000-4-3	10V/m	perf. Criteria A
EMC / EMS / EFT	<ul style="list-style-type: none"> • IEC/EN 61000-4-4 • IEC/EN 61000-4-4 	<ul style="list-style-type: none"> ± 2kV (recommended circuit 1, 4) ± 4kV (recommended circuit 2, 3) 	perf. Criteria B perf. Criteria B
EMC / EMS / Surge	<ul style="list-style-type: none"> • IEC/EN 61000-4-5 • IEC/EN 61000-4-5 • IEC/EN 61000-4-5 	<ul style="list-style-type: none"> line to line ±1KV (recommended circuit 1, 2) line to line ±2KV (recommended circuit 3, 4) line to line ±4KV (recommended circuit 4) 	perf. Criteria B perf. Criteria B perf. Criteria B
EMC / EMS / CS	IEC/EN61000-4-6	10 Vr.m.s	perf. Criteria A
EMC / EMS / Voltage dips, short and interruptions immunity	IEC/EN61000-4-11	0%-70%	perf. Criteria B
Safety standards	IEC/EN/UL62368, IEC/EN/UL60335		
Safety certification	IEC/EN/UL62368		
Safety class	CLASS II		
MTBF	>1,00,000h @25°C (MIL-HDBK-217F)		
Cooling method	Free air convection		
Weight	11g		
Dimensions	44.50 x 24.00 x 15.00mm		

Typical characteristics



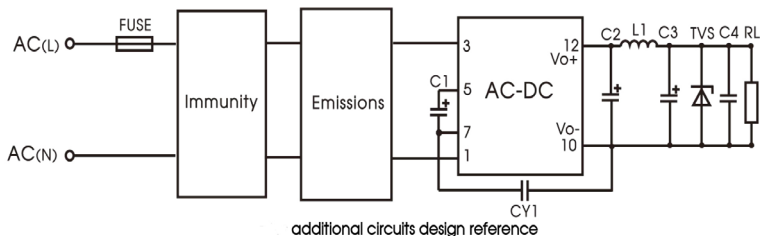
Note:

- ① With an AC input between 85-100VAC/277-305VAC and a DC input between 100-120VDC/390-430VDC, the output power must be derated as per temperature derating curves;
- ② This product is suitable for applications using natural air cooling; for applications in closed environment please consult factory or one of our FAE.

15ACM_3 series

10W- Single Output AC-DC Converter - Universal Input - Isolated & Regulated

Additional circuits design reference



Immunity design circuits for reference		Emissions design circuits for reference	
CLASS III	CLASS IV	CLASS A	CLASS B

Additional components selection guide

Model	FUSE (required)	C1 (required)	C2 (required)	L1 (required)	C3 (required)	C4	CY1 (required)
15ACM_03S3	1A/300V	33μF/450V	470μF/16V (solid-state capacitor)	2.2μH	220μF/35V	0.1μF/50V	2.2nF/400VAC
15ACM_05S3			220μF/35V				
15ACM_09S3			470μF/16V (solid-state capacitor)		220μF/35V		
15ACM_12S3			220μF/35V				
15ACM_15S3			680μF/35V		220μF/35V		
15ACM_24S3			470μF/35V		220μF/35V		

Note:

- C1: input capacitors, C2: output storage capacitors, they must be connected externally.
- We recommend using an electrolytic capacitor with high frequency and low ESR rating for C3 (refer to manufacture's datasheet). Combined with C2, L1, they form a pi-type filter circuit. Choose a capacitor voltage rating with at least 20% margin, in other words not exceeding 80%. C4 is a ceramic capacitor, used for filtering high frequency noise. A suppressor diode (TVS) is a recommended to protect the application in case of a converter failure and specification should be 1.2 times of the output voltage.

15ACM_3 series

10W- Single Output AC-DC Converter - Universal Input - Isolated & Regulated

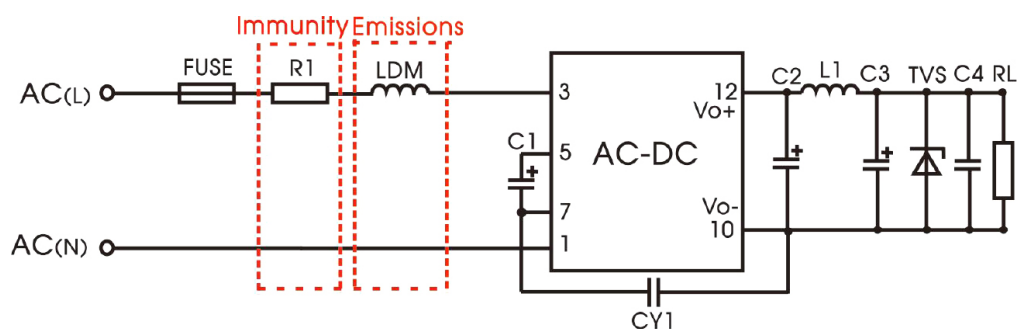
Environmental application EMC solution

Environmental application EMC solution selection table

Recommended circuit	Application environmental	Typical industry	Input voltage range	Environment temperature	Emissions	Immunity
1	Basic application	None	85~305VAC	-40°C~+85°C	CLASS A	CLASS III
2	Indoor civil environment	Smart home/Home appliances (2Y)		-25°C~+55°C	CLASS B	CLASS III
	Indoor general environment	Intelligent building/Intelligent agriculture		-25°C~+55°C	CLASS B	CLASS IV
3	Indoor industrial environment	Manufacturing workshop		-25°C~+55°C	CLASS B	CLASS IV
4	Outdoor general environment	ITS/Video monitoring/Charging point/Communication/Security and protection		-40°C~+85°C	CLASS A	CLASS IV
	Outdoor harsh environment	On-line power meter Communication base station	-40°C~+85°C	CLASS A	> CLASS IV Surge: line to ground ±4KV EFT: CLASS IV	

Electromagnetic compatibility solution-recommended circuit

Recommended circuit 1 - basis application

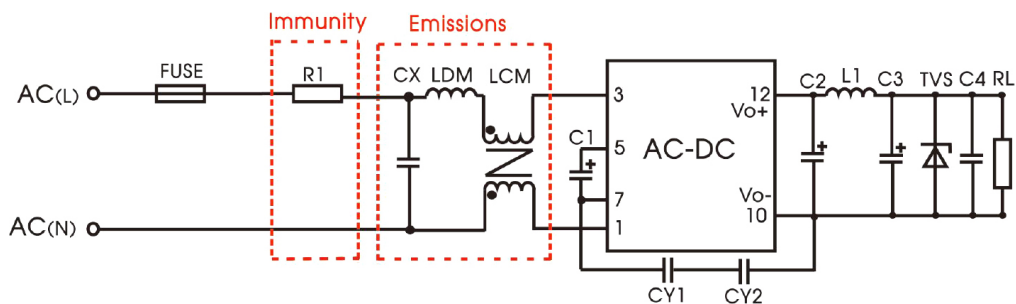


Application environmental	Ambient temperature range	Immunity class	Emissions Class
Basic application	-40°C~+85°C	CLASS III	CLASS A

Component	Recommended value
NTC	10D-10
LDM	1.2mH (MIN: 0.4A, MAX: 4Ω)
CX	0.1μF/310VAC
FUSE (required)	1A/300V, slow-blow

Electromagnetic compatibility solution-recommended circuit

Recommended circuit 2 - Indoor civil /Universal system recommended circuits for general environment

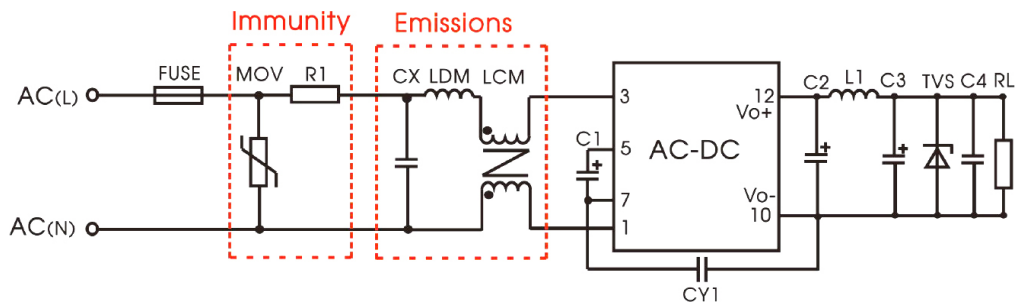


Application environmental	Ambient temperature range	Immunity class	Emissions Class
Indoor civil/general	-25°C~+55°C	CLASS III	CLASS B

Component	Recommended value
NTC	10D-10
CY1 (CY2)	2.2nF/400VAC
LCM	10mH (MIN: 0.4A, MAX: 600mΩ)
LDM	0.33mH (MIN: 0.4A, MAX: 1Ω)
CX	0.22μF/310VAC
FUSE (required)	1A/300V, slow-blow

Note:
In the home appliance application environment, the two Y capacitors of the primary and secondary need to be externally connected (CY1/CY2, value at 2.2nF/400VAC), which can meet the EN60335 certification. In other industries, only one Y capacitor is needed.

Recommended circuit 3 - Universal system recommended circuits for indoor industrial environment

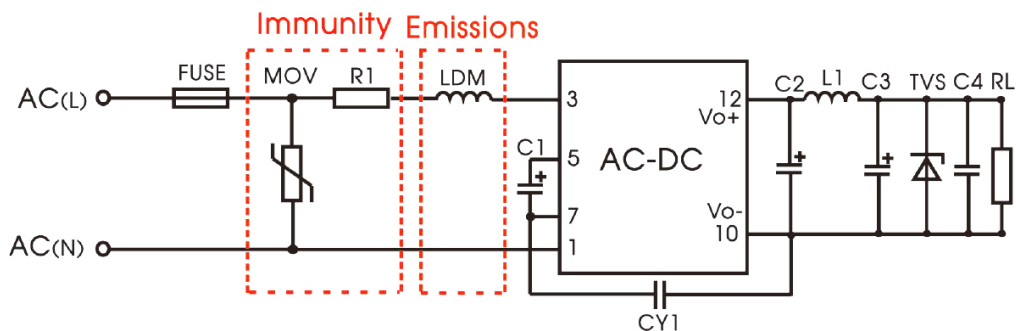


Application environmental	Ambient temperature range	Immunity class	Emissions Class
Indoor industrial	-25°C~+55°C	CLASS IV	CLASS B

Component	Recommended value
MOV	S14K350
C1	-
CY1	2.2nF/400VAC
CX	0.22μF/310VAC
LCM	10mH (MIN: 0.4A, MAX: 600mΩ)
LDM	0.33mH (MIN: 0.4A, MAX: 1Ω)
R1	12Ω/3W
FUSE (required)	2A/300V, slow-blow

Electromagnetic compatibility solution-recommended circuit

Recommended circuit 4 - Universal system recommended circuits for outdoor general/harsh environment



Application environmental	Ambient temperature range	Immunity class	Emissions Class
Outdoor general	-40°C~+85°C	CLASS IV	CLASS A

Component	Recommended value
MOV	S14K350
CX	0.1μF/310VAC
LDM	1.2mH (MIN: 0.4A, MAX: 4Ω)
R1	12Ω/3W
FUSE (required)	2A/300V, slow-blow

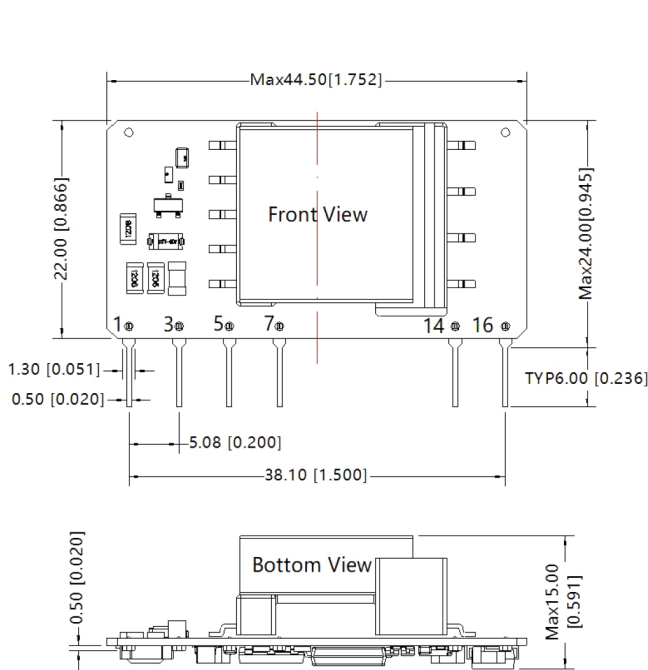
Application environmental	Ambient temperature range	Immunity class	Emissions Class
Outdoor harsh	-40°C~+85°C	>CLASS IV Surge: line to ground ±4KV EFT: CLASS IV	CLASS A

Component	Recommended value
MOV	S20K350
C1	450V/33uF (surge protection priority)
LDM	4.7mH
R1	33Ω/5W
FUSE (required)	6.3A/300V, slow-blow

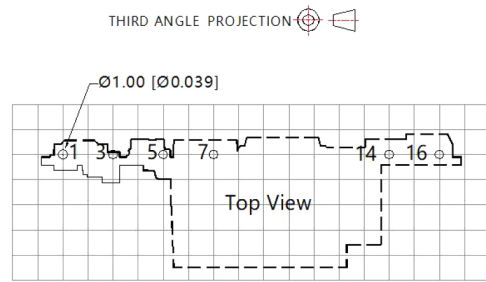
15ACM_3 series

10W- Single Output AC-DC Converter - Universal Input - Isolated & Regulated

Mechanical dimensions



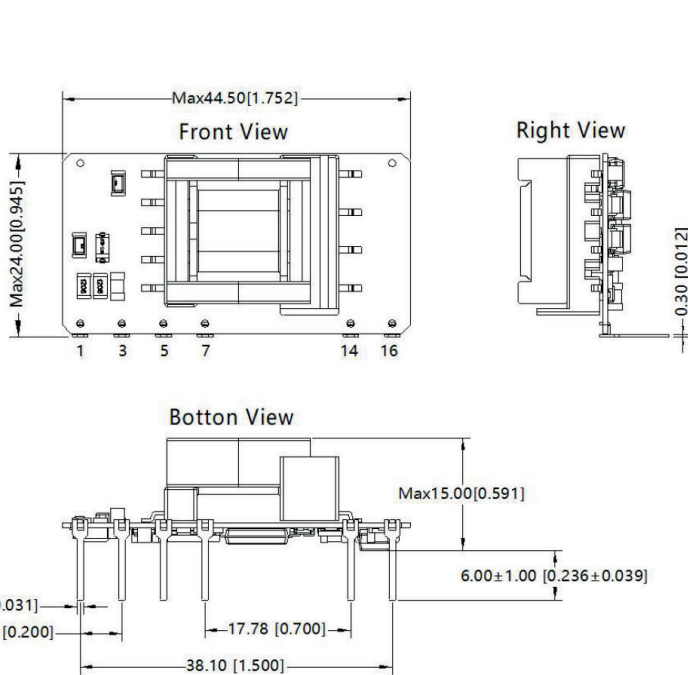
Note:
 Unit: mm[inch]
 Pin section tolerances: $\pm 0.10[\pm 0.004]$
 General tolerances: $\pm 0.50[\pm 0.020]$
 The layout of the device is for reference only, please refer to the actual product



Note: Grid 2.54*2.54mm

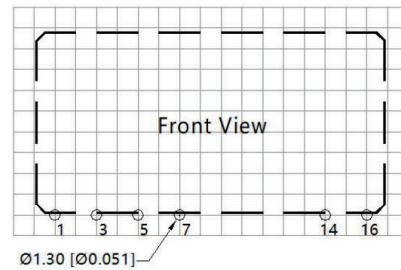
Pin-Out	
Pin	Function
1	AC(N)
3	AC(L)
5	+V(cap)
7	-V(cap)
14	-Vo
16	+Vo

- 1.It is necessary to add C1 between pin5 and pin7.
- 2.It is necessary to add circuit to the output, such as the recommended circuit 1.



Note:
 Unit: mm[inch]
 Pin section tolerances: $\pm 0.10[\pm 0.004]$
 General tolerances: $\pm 0.50[\pm 0.020]$
 The layout of the device is for reference only , please refer to the actual product

THIRD ANGLE PROJECTION



Note: Grid 2.54*2.54mm

Pin-Out	
Pin	Function
1	AC(N)
3	AC(L)
5	+V(cap)
7	-V(cap)
14	-Vo
16	+Vo