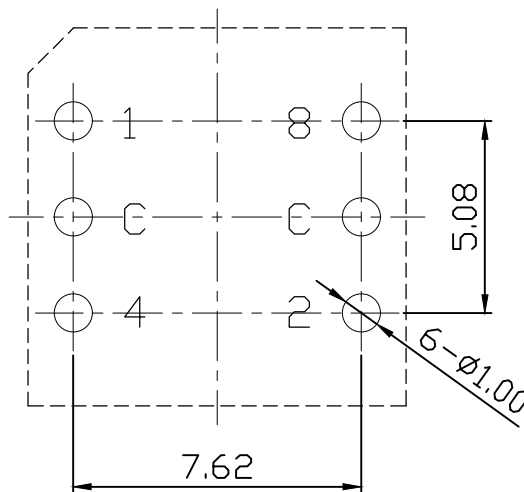
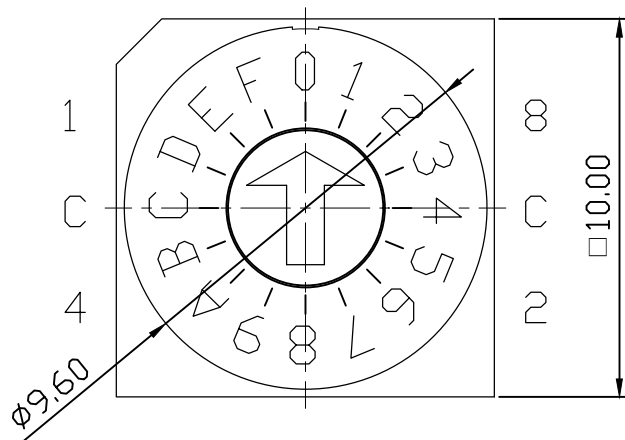


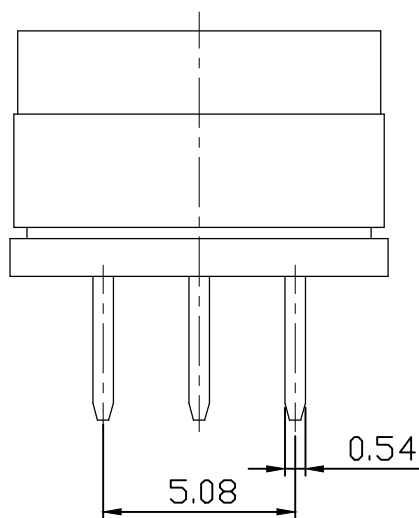
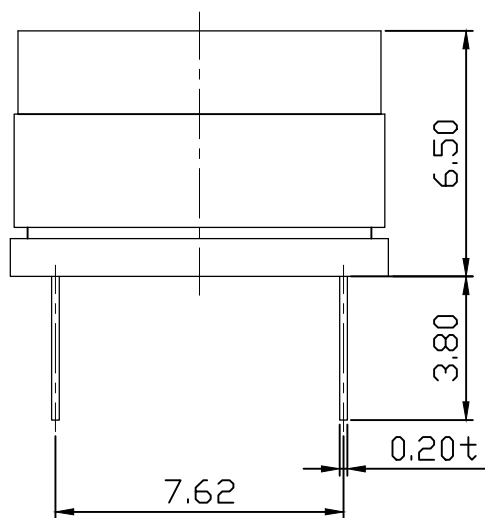
| MARK | DATE | REMARKS |
|------|------|---------|
| △ | | |
| △ | | |



SPECIFICATION

- Rating : 150mA, 42V DC (Switching)
200mA, 42V DC (None-Switching)
- Contact Resistance : 80mΩ Max
- Insulation Resistance : 100MΩ Min
- Operating Force : 700gf Max
- Life cycle : 10,000 steps

P.C.B DIMENSION(TOP VIEW)



| | | Real Code | | | | |
|--|---|-----------|---|---|---|---|
| | | C | 1 | 2 | 4 | 8 |
| 10 P o s i t i o n | 0 | ● | | | | |
| | 1 | ● | ● | | | |
| | 2 | ● | | ● | | |
| | 3 | ● | ● | ● | | |
| | 4 | ● | | | ● | |
| | 5 | ● | ● | | ● | |
| | 6 | ● | | ● | ● | |
| | 7 | ● | ● | ● | ● | |
| | 8 | ● | | | | ● |
| | 9 | ● | ● | | | ● |
| 16 P o s i t i o n | A | ● | | ● | | ● |
| | B | ● | ● | ● | | ● |
| | C | ● | | | ● | ● |
| | D | ● | ● | | ● | ● |
| | E | ● | | ● | ● | ● |
| | F | ● | ● | ● | ● | ● |

GENERAL TOLERANCE ±0.3 mm

| APPD | CHKD | D'SGD | TITLE. | ROTARY DIP SWITCH | |
|-------------------------------|----------|------------------------|-----------|-------------------|--------|
| J.P ROH | S.M PARK | Y.N JEON 2018.11.28 | MODEL NO. | TDR-16 | REV 02 |
| SUNGMUN ELECTRONICS CO., LTD. | | | | | |