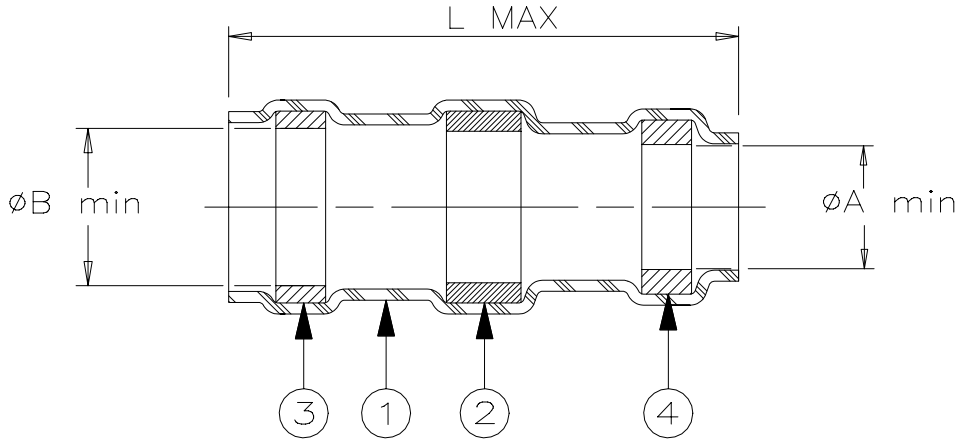


SPECIFICATION CONTROL DRAWING



Product Revision		Product Dimensions		
Product Name		L MAX	øA min	øB min
D-108-00	F	17.25 (0.680)	1.9 (0.075)	2.4 (0.095)
D-108-01	F	17.25 (0.680)	2.8 (0.110)	3.15 (0.125)
D-108-02	E	17.25 (0.680)	4.4 (0.175)	5.0 (0.200)
D-108-03	F	20.5 (0.810)	7.1 (0.280)	7.6 (0.300)

MATERIAL

1. INSULATION SLEEVE: HEAT-SHRINKABLE, RADIATION CROSS-LINKED POLYVINYLIDENE FLOURIDE. TRANSPARENT BLUE.
2. SOLDER PREFORM WITH FLUX:
Solder: Sn96 Ag4 per ANSI J-STD-006.
Flux: ROL1 per ANSI J-STD-004.
- 3 & 4. MELTABLE INSERTS: Polyolefin-based thermoplastic. Color : red.

NOTES

- A. The parts covered by this SCD are for use in attaching a ground wire to the shield of a cable. They may be used on cables rated for at least 135°C minimum, having silver plated copper shields and meeting the dimensional criteria shown in the table.
- B. Parts will meet requirements of Raychem specification RT-1404 and National Aerospace Standard NAS-1747 when installed per Raychem-approved convection or infrared tools in accordance with Raychem assembly procedure RCPS-100-70.
TEMPERATURE RATING: -55°C to +175°C.

Raychem		THERMOFIT DEVICES	Raychem Corporation 300 Constitution Drive Menlo Park, CA 94025 USA	TITLE: SOLDERSLEEVE SHIELD TERMINATOR			
UNLESS OTHERWISE SPECIFIED DIMENSIONS ARE IN MILLIMETERS. INCHES DIMENSIONS ARE BETWEEN BRACKETS.				DOCUMENT NO. : D-108-00/-01/-02/-03			
TOLERANCES: 0.00 N/A 0.0 N/A 0 N/A	ANGLES: N/A	Raychem reserves the right to amend this drawing at any time. Users should evaluate the suitability of the product for their application.		DCR NUMBER: D980867		REPLACES: D961392	
DRAWN BY: M. FORONDA	DATE: 04/09/98	PROD. REV. SEE TABLE	DOC ISSUE: 3	SCALE: None	SIZE: A	SHEET: 1 of 1	

If this document is printed it becomes uncontrolled. Check for the latest revision.