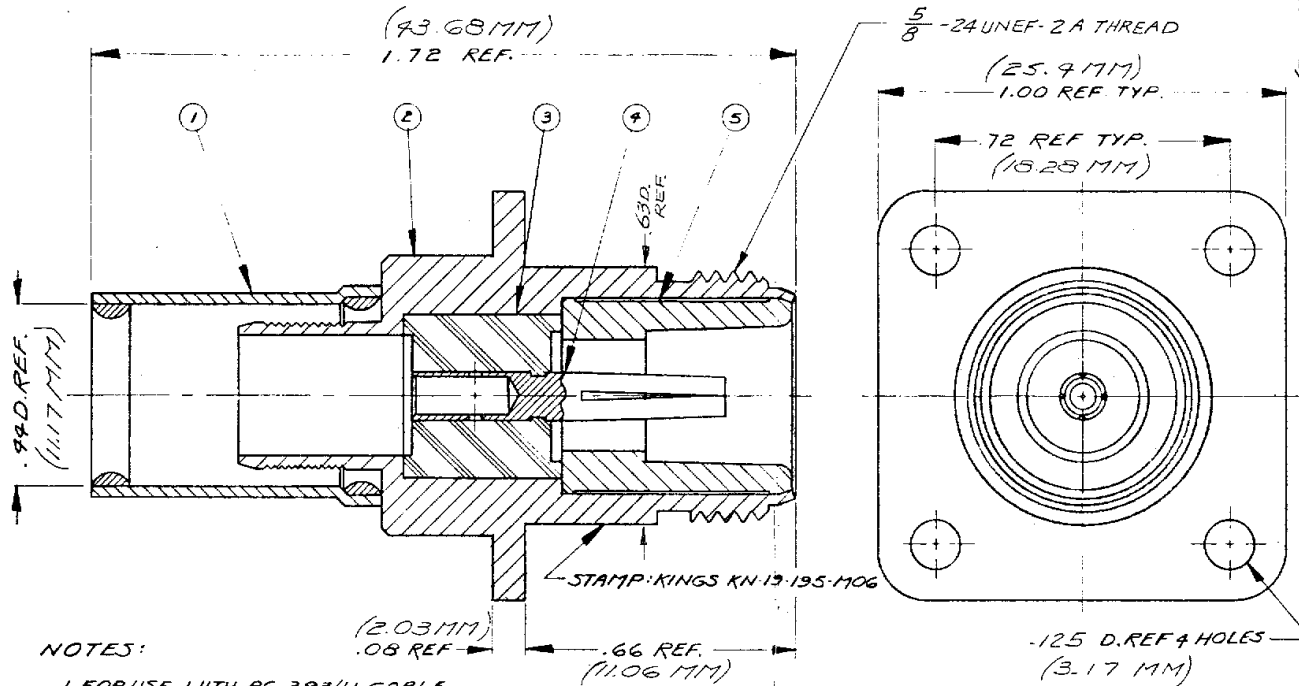


DASH NO M CODE MADE FROM



NOTES:

1. FOR USE WITH RG-393/U CABLE
2. FOR CABLING INSTRUCTIONS SEE CP 5402.
3. FOR CABLE TRIMMING USE KTU-150 & KTD-138.
4. FOR FORMING USE CRIMP DIE SIZE 105.
5. ITEMS ①, ② & ⑤ TO HAVE TR-5 FINISH.
6. MARK PACKAGE: KINGS KN-19-195-M06 XXXX (DATE CODE).

UNLESS OTHERWISE SPECIFIED:

1. TOLERANCES FRACTIONS & 2 PLACE DECIMALS ± .010	2. REMOVE ALL BURRS BREAK SHARP EDGES .005 MAX.
3 PLACE DECIMALS ± .004	3. NO FILLETS PERMITTED
1.1 R CONCENTRICITY OF ANY 2 DIAMETERS MAY NOT EXCEED HALF THE SUM OF THE R TOLERANCES.	4. SURFACE ROUGHNESS 63 MICRONS RMS MAX.
	5. ALL DIMENSIONS PRIOR TO PLATING
	6. ALL PLATING IN ACCORDANCE WITH KER 10004.

(SHT 1 OF 2)
 KN-19-195-M06
 S-D

REVISIONS	
0	EA 20344 PAS 11 AUG 80
1	CN 29822 C AJ 19 MAY 85
2	CN 29929 C JCA 28 JUN 88
3	CN 31044 C M.Z.B. 8 AUG 89

SCALE	4:1
USED ON	
REF	BOEING
N PANEL JACK	
DRAWN PAS	DATE 2 AUG 80
APPV GUNO	DATE 11 AUG 80
 <small>STAMP-KINGS CO. INC.</small> <small>PHILADELPHIA, PA. 19104</small>	
KN-19-195-M06	

(SHT 1 OF 2) S-D